

LEIA-SUB-O

Sublens for very narrow oval beam

TECHNICAL SPECIFICATIONS:

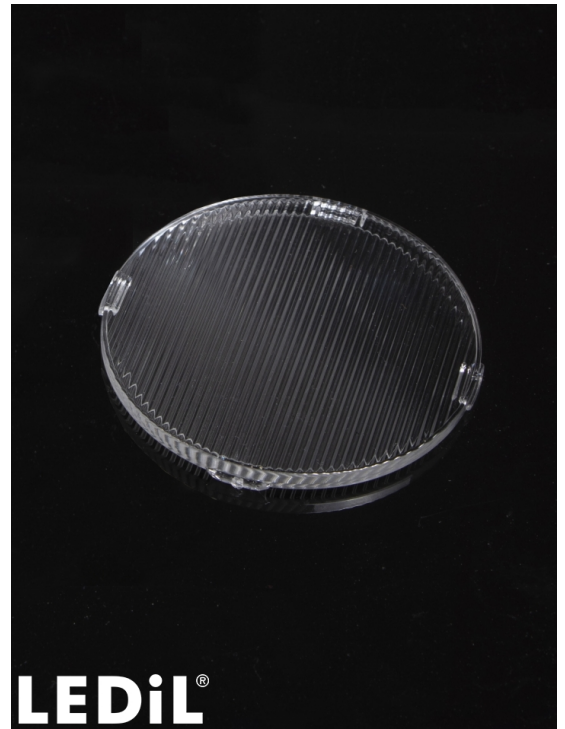
Dimensions	47.8 x 47.8 mm
Height	3.6 mm
Fastening	clips
ROHS compliant	yes ⓘ

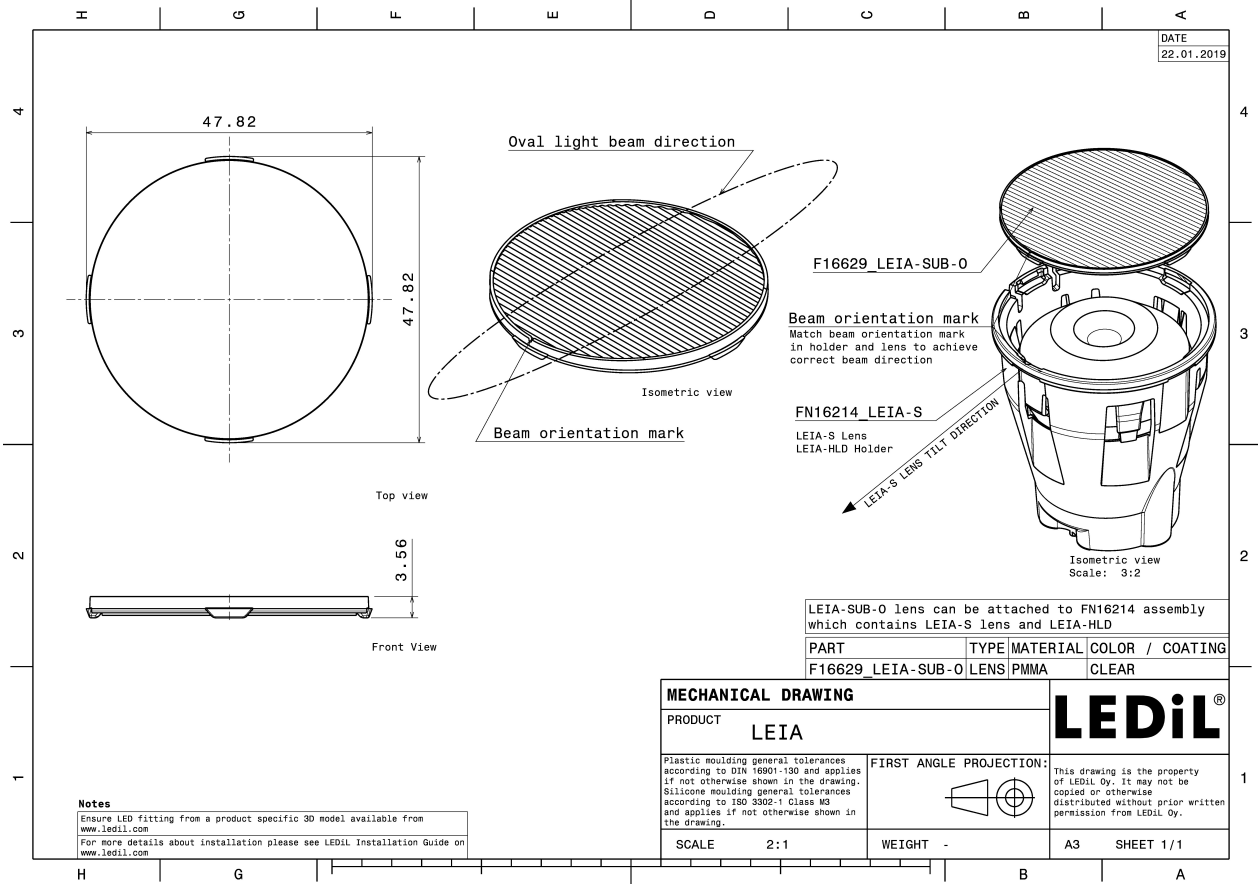
MATERIAL SPECIFICATIONS:

Component	Type	Material	Colour	Finish
LEIA-SUB-O	Sublens	PMMA		

ORDERING INFORMATION:

Component	Qty in box	MOQ	MPQ	Box weight (kg)
F16629_LEIA-SUB-O » Box size: 398 x 298 x 140 mm	1000	40	40	5.7





See also our general installation guide: www.ledil.com/installation_guide