

HEKLA-G2-J

Version compatible with COBs of 13.35 x 13.35 mm packages and max 7.5 mm LES size

TECHNICAL SPECIFICATIONS:

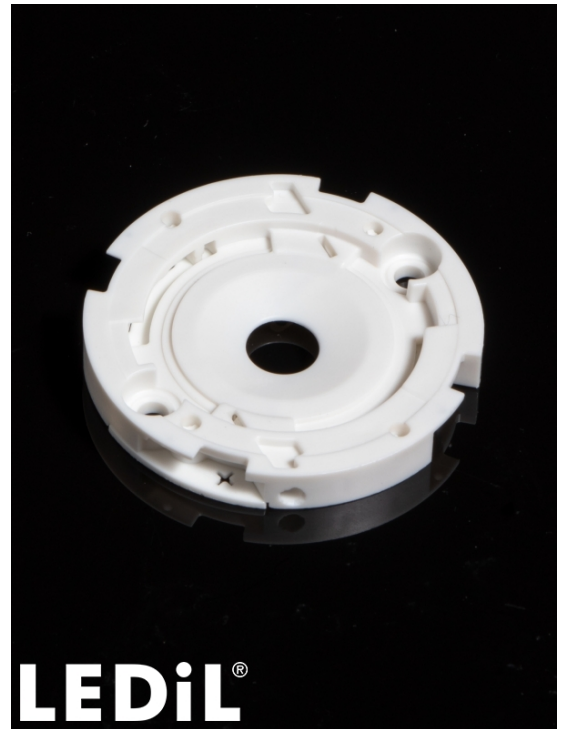
Dimensions	Ø 44.0 mm
Height	5.8 mm
Fastening	screw
ROHS compliant	yes ⓘ

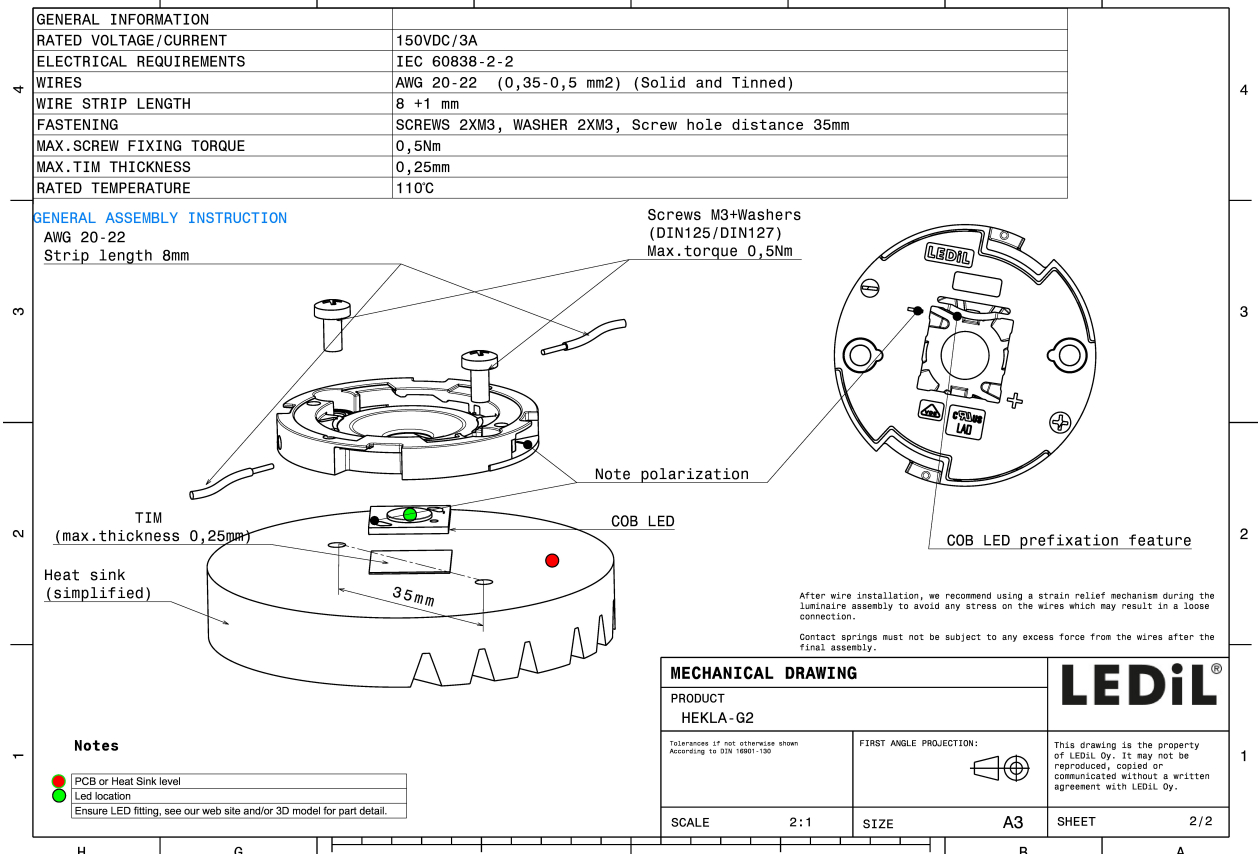
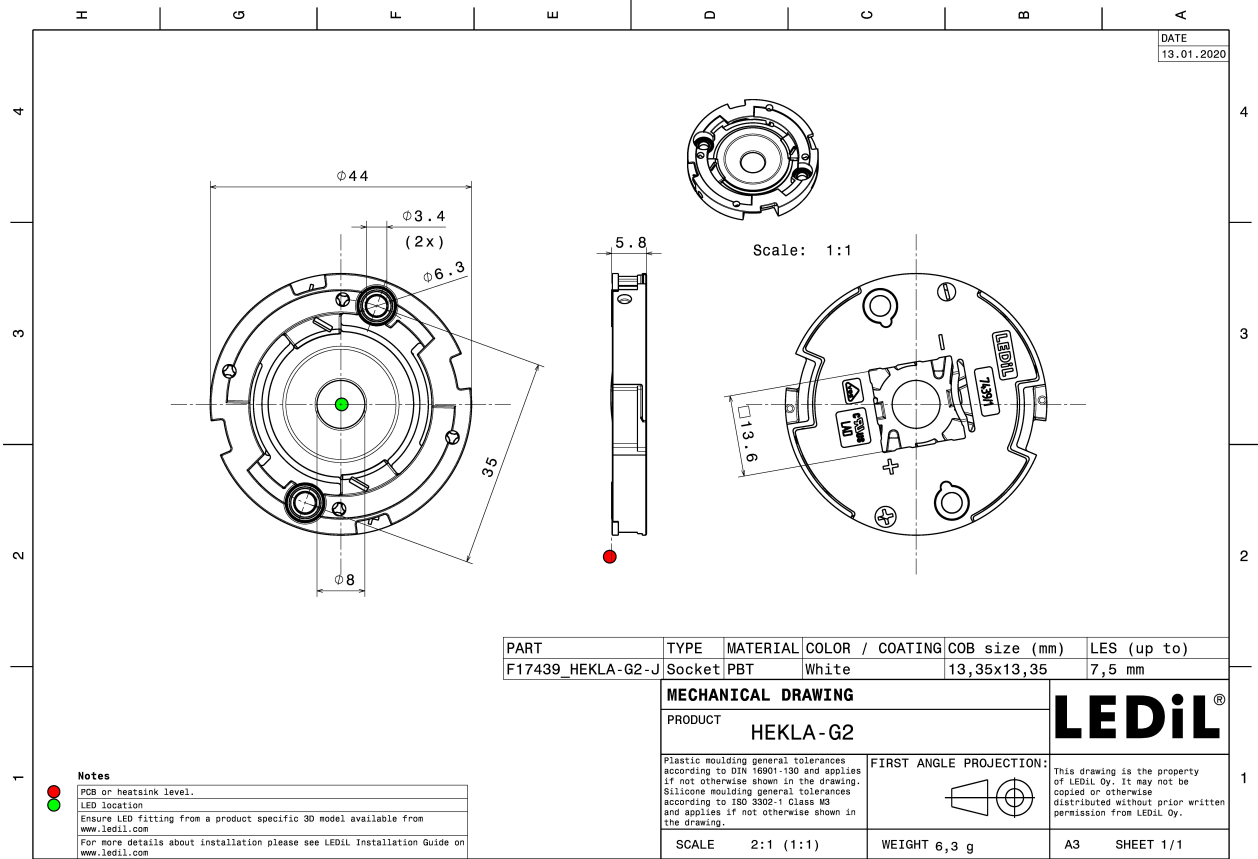
MATERIAL SPECIFICATIONS:

Component	Type	Material	Colour	Finish
HEKLA-G2-J	Base part	PBT	white	

ORDERING INFORMATION:

Component	Qty in box	MOQ	MPQ	Box weight (kg)
F17439_HEKLA-G2-J » Box size: 385 x 290 x 235 mm	1710	45	45	10.2





See also our general installation guide: www.ledil.com/installation_guide