

LINDA-40-O

~86° + 40° oval beam

SPECIFICATION:

Dimensions	40.0 x 1140.0 mm
Height	8.8 mm
Fastening	snaps
ROHS compliant	yes ⓘ

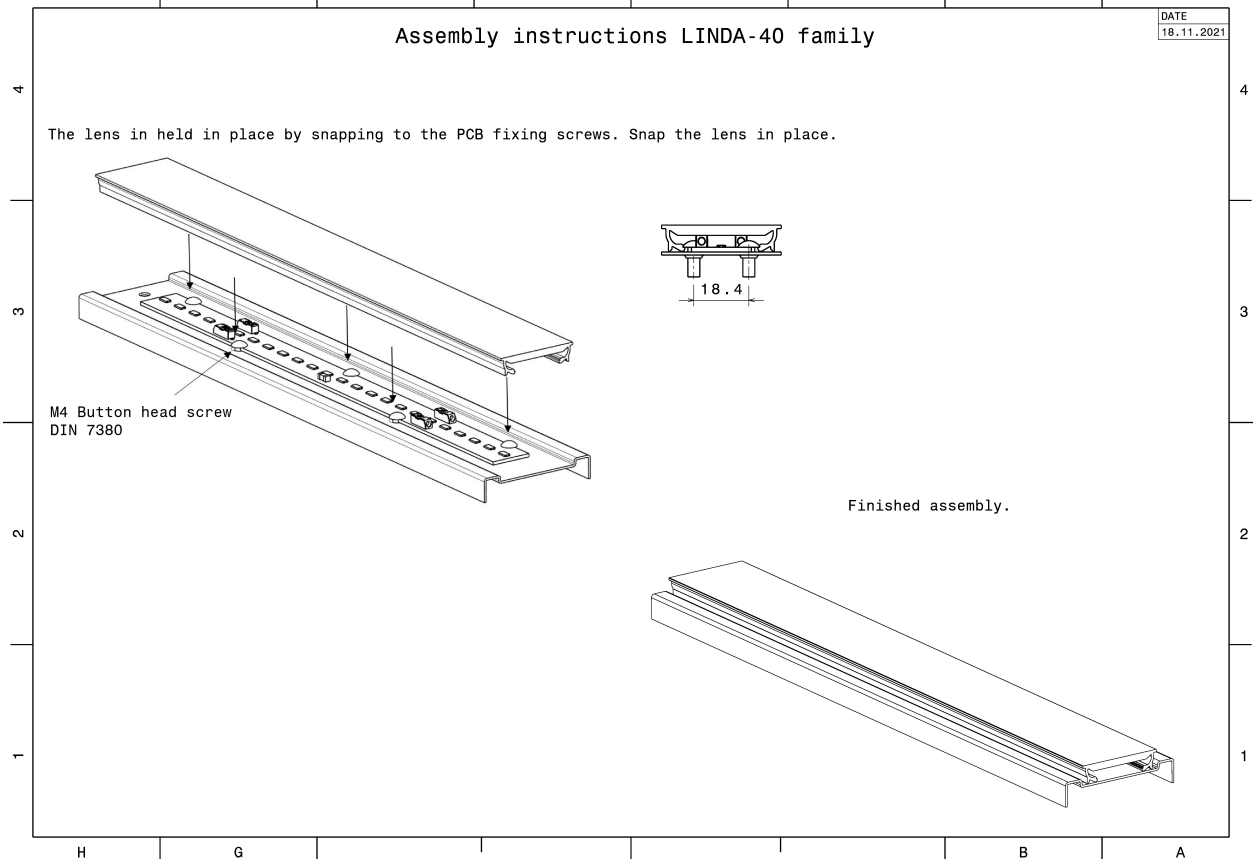
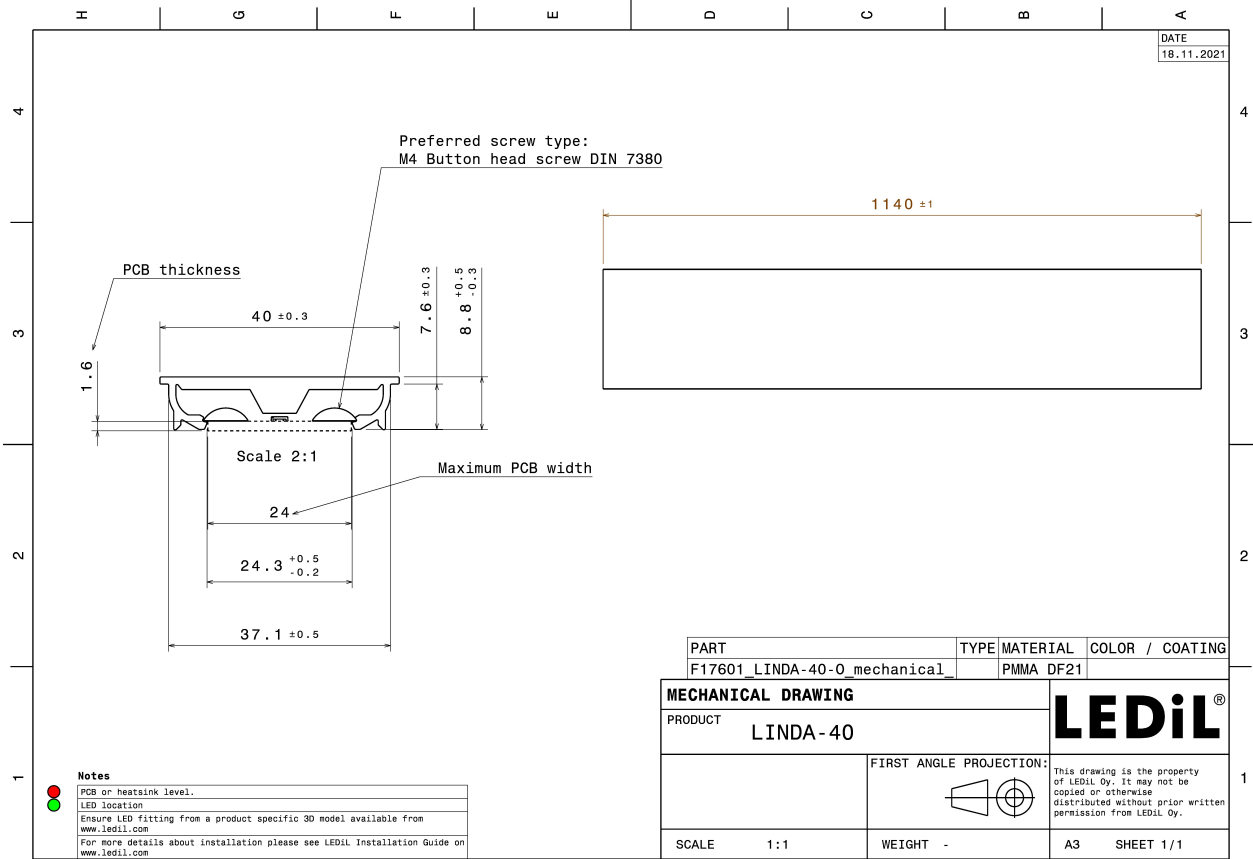
MATERIALS:

Component	Type	Material	Colour	Finish
LINDA-40-O	Linear lens	PMMA	milky	

ORDERING INFORMATION:

Component	Qty in box	MOQ	MPQ	Box weight (kg)
F17601_LINDA-40-O » Box size: 1190 x 182 x 165 mm	64	64	64	11.3





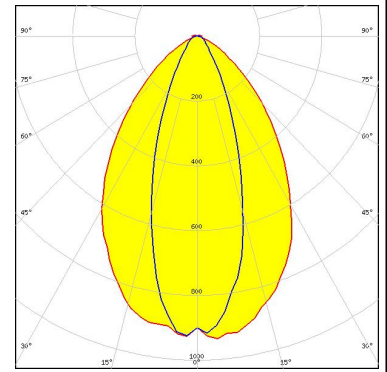
See also our general installation guide: www.ledil.com/installation_guide

OPTICAL RESULTS (SIMULATED):

OSRAM

Opto Semiconductors

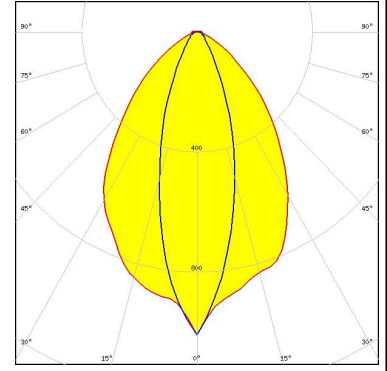
LED OSLOM Square CSSRM2/CSSRM3
 FWHM / FWTM 72.0 + 36.0° / 120.0 + 72.0°
 Efficiency 87 %
 Peak intensity 1 cd/lm
 LEDs/each optic 1
 Light colour White
 Required components:



OSRAM

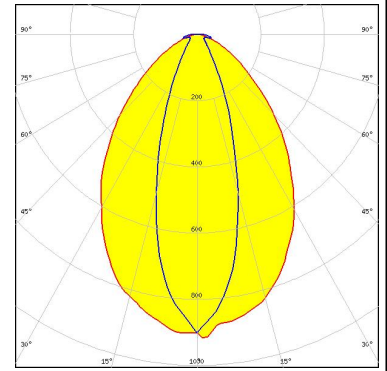
Opto Semiconductors

LED OSLOM SSL 150
 FWHM / FWTM 72.0 + 30.0° / 120.0 + 68.0°
 Efficiency 87 %
 Peak intensity 1 cd/lm
 LEDs/each optic 1
 Light colour Far Red
 Required components:



SAMSUNG

LED LM28xB Series
 FWHM / FWTM 76.0 + 32.0° / 130.0 + 68.0°
 Efficiency 87 %
 Peak intensity 0.9 cd/lm
 LEDs/each optic 1
 Light colour White
 Required components:



SAMSUNG

LED LM301B
 FWHM / FWTM 72.0 + 36.0° / 116.0 + 76.0°
 Efficiency 87 %
 Peak intensity 0.9 cd/lm
 LEDs/each optic 1
 Light colour White
 Required components:

