

LINDA-40-Z2T25

Double assymmetric beam for aisle and shelf lighting

SPECIFICATION:

Dimensions	40.0 x 1140.0 mm
Height	8.8 mm
Fastening	snaps
ROHS compliant	yes ⓘ

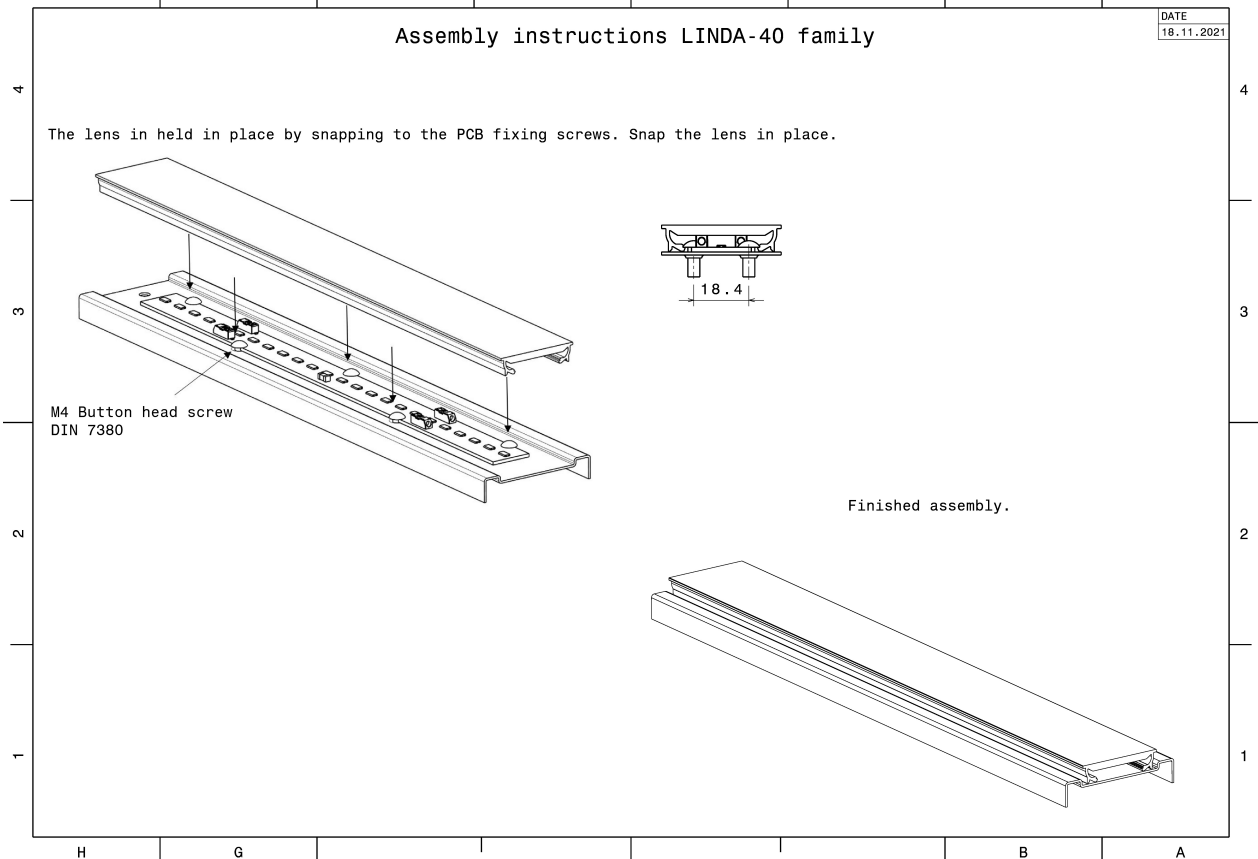
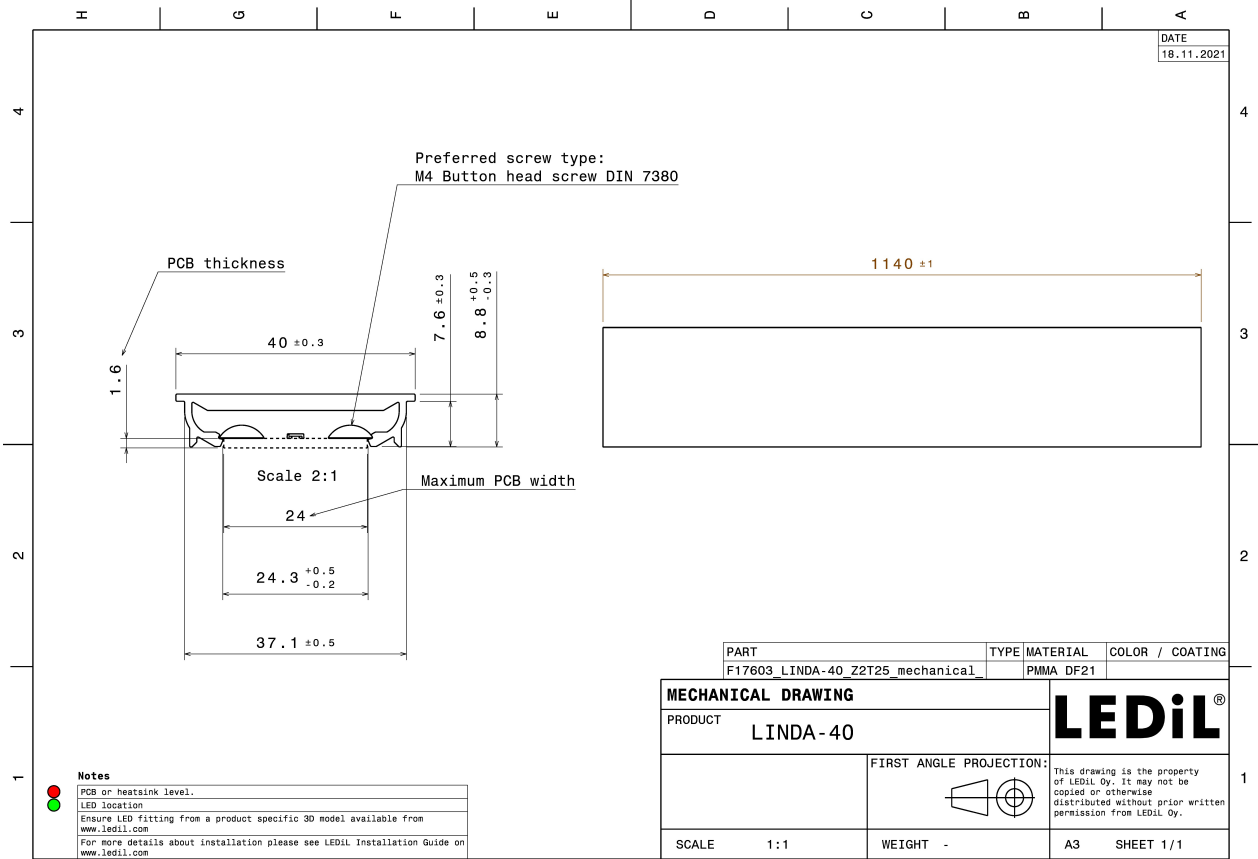
MATERIALS:

Component	Type	Material	Colour	Finish
LINDA-40-Z2T25	Linear lens	PMMA	milky	

ORDERING INFORMATION:

Component	Qty in box	MOQ	MPQ	Box weight (kg)
F17603_LINDA-40-Z2T25 » Box size: 1190 x 182 x 165 mm	64	64	64	10.8



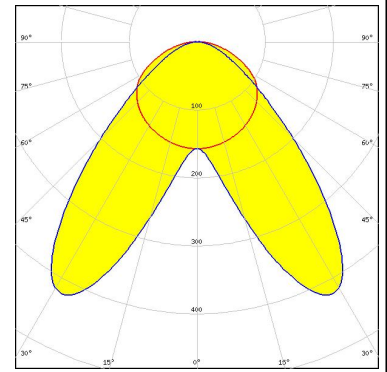


See also our general installation guide: www.ledil.com/installation_guide

OPTICAL RESULTS (MEASURED):

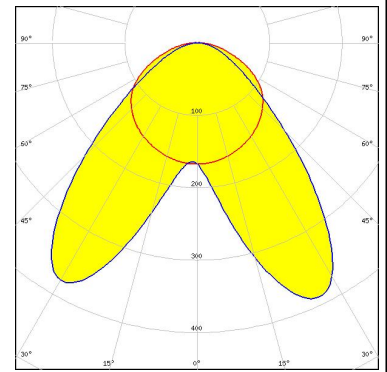
PHILIPS

LED Fortimo LED Strip 1ft 1100lm FC HV5 & LV5
FWHM / FWTM Asymmetric
Efficiency 81 %
Peak intensity 0.4 cd/lm
LEDs/each optic 1
Light colour White
Required components:



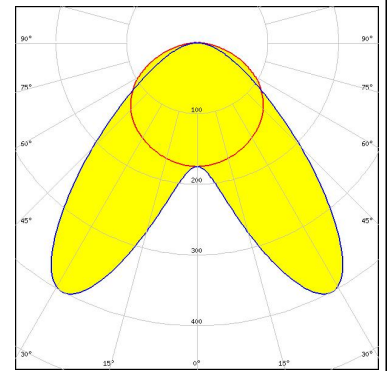
PHILIPS

LED Fortimo LED Strip 1ft 2000lm FC HV6
FWHM / FWTM Asymmetric
Efficiency 79 %
Peak intensity 0.4 cd/lm
LEDs/each optic 1
Light colour White
Required components:



PHILIPS

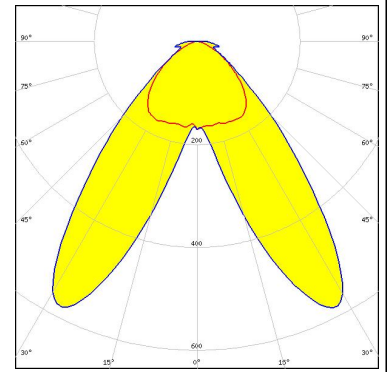
LED Fortimo LED Strip 1ft 650lm FC HV5 & LV5
FWHM / FWTM Asymmetric
Efficiency 82 %
Peak intensity 0.4 cd/lm
LEDs/each optic 1
Light colour White
Required components:



OPTICAL RESULTS (SIMULATED):

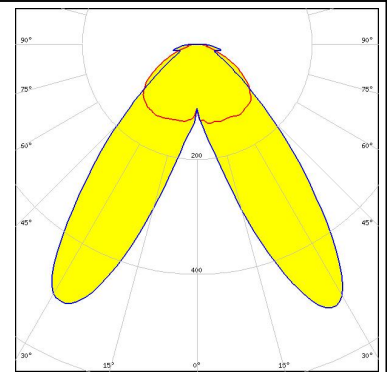


LED J Series 2835
FWHM / FWTM 106.0 + 82.0° / 144.0 + 119.0°
Efficiency 85 %
Peak intensity 0.6 cd/lm
LEDs/each optic 1
Light colour White
Required components:



SAMSUNG

LED LM28xB Series
FWHM / FWTM 124.0 + 84.0° / 170.0 + 120.0°
Efficiency 84 %
Peak intensity 0.5 cd/lm
LEDs/each optic 1
Light colour White
Required components:



SAMSUNG

LED LM301B
FWHM / FWTM 104.0 + 84.0° / 144.0 + 120.0°
Efficiency 84 %
Peak intensity 0.6 cd/lm
LEDs/each optic 1
Light colour White
Required components:

