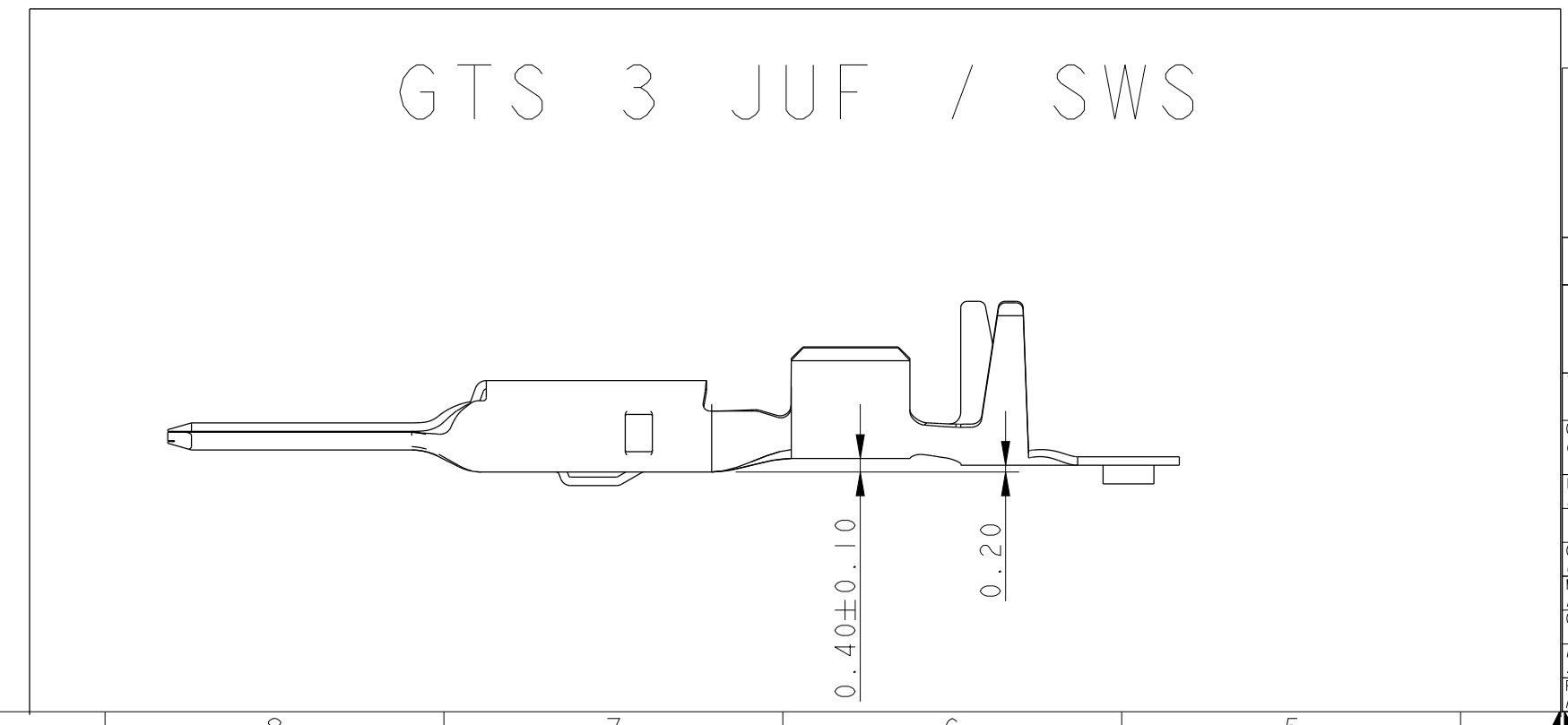
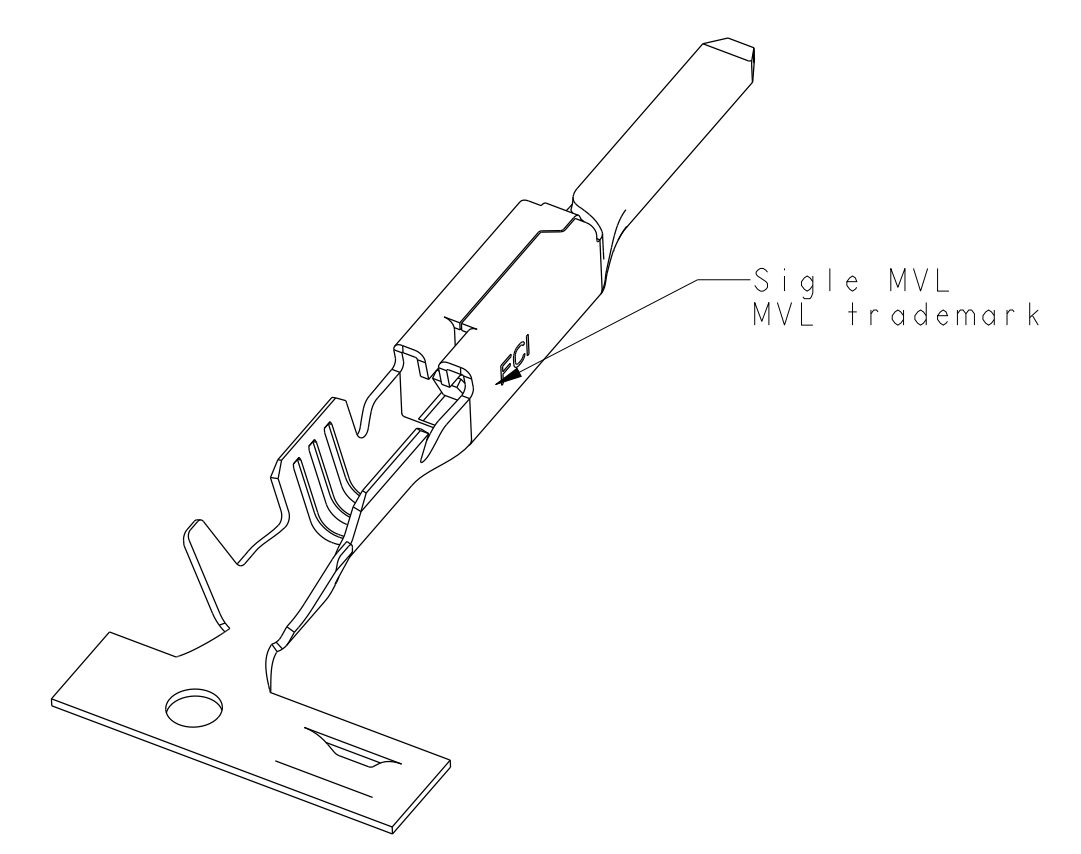
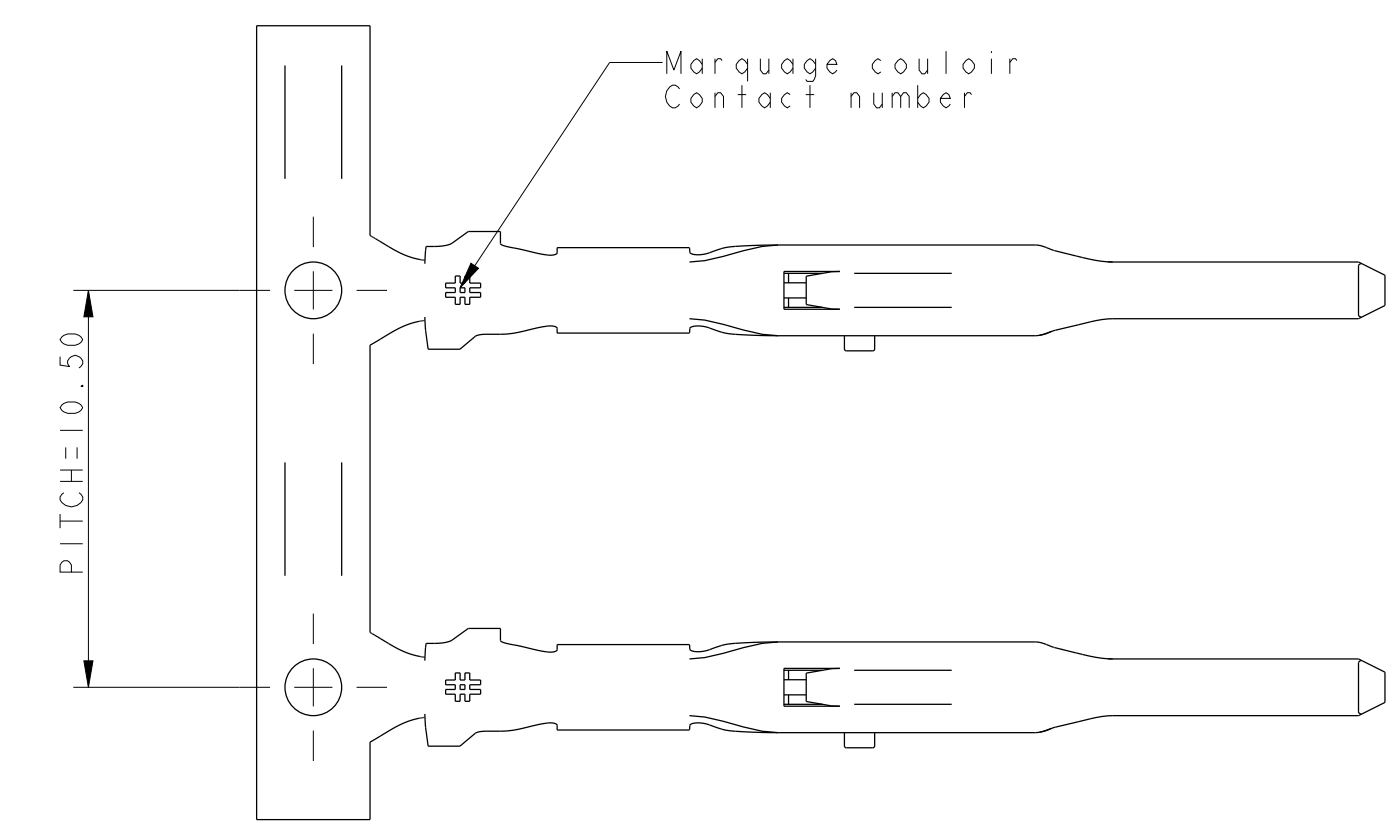
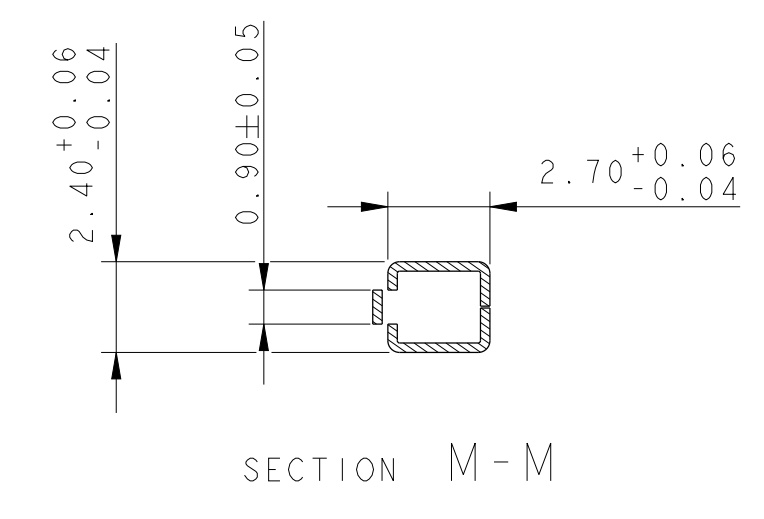
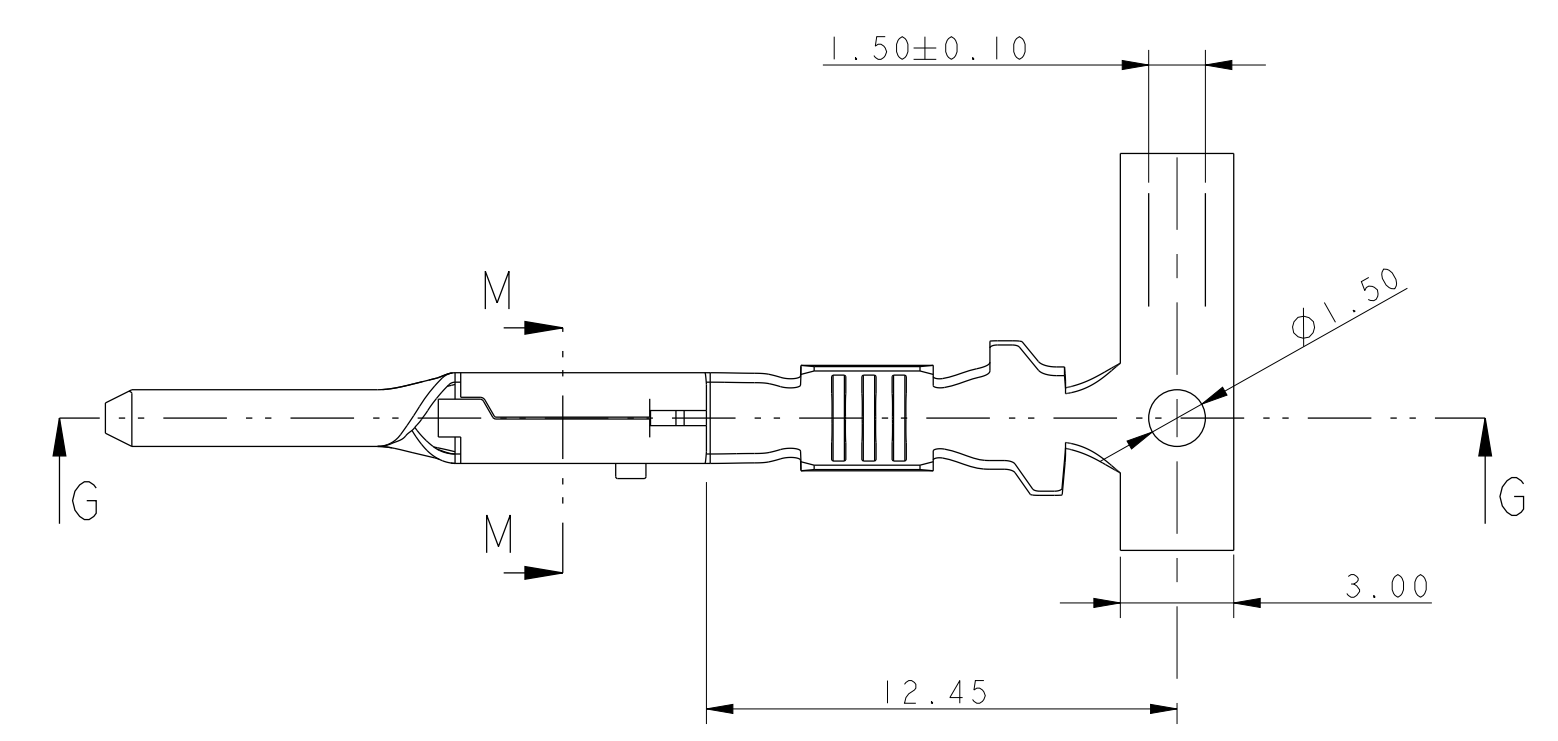
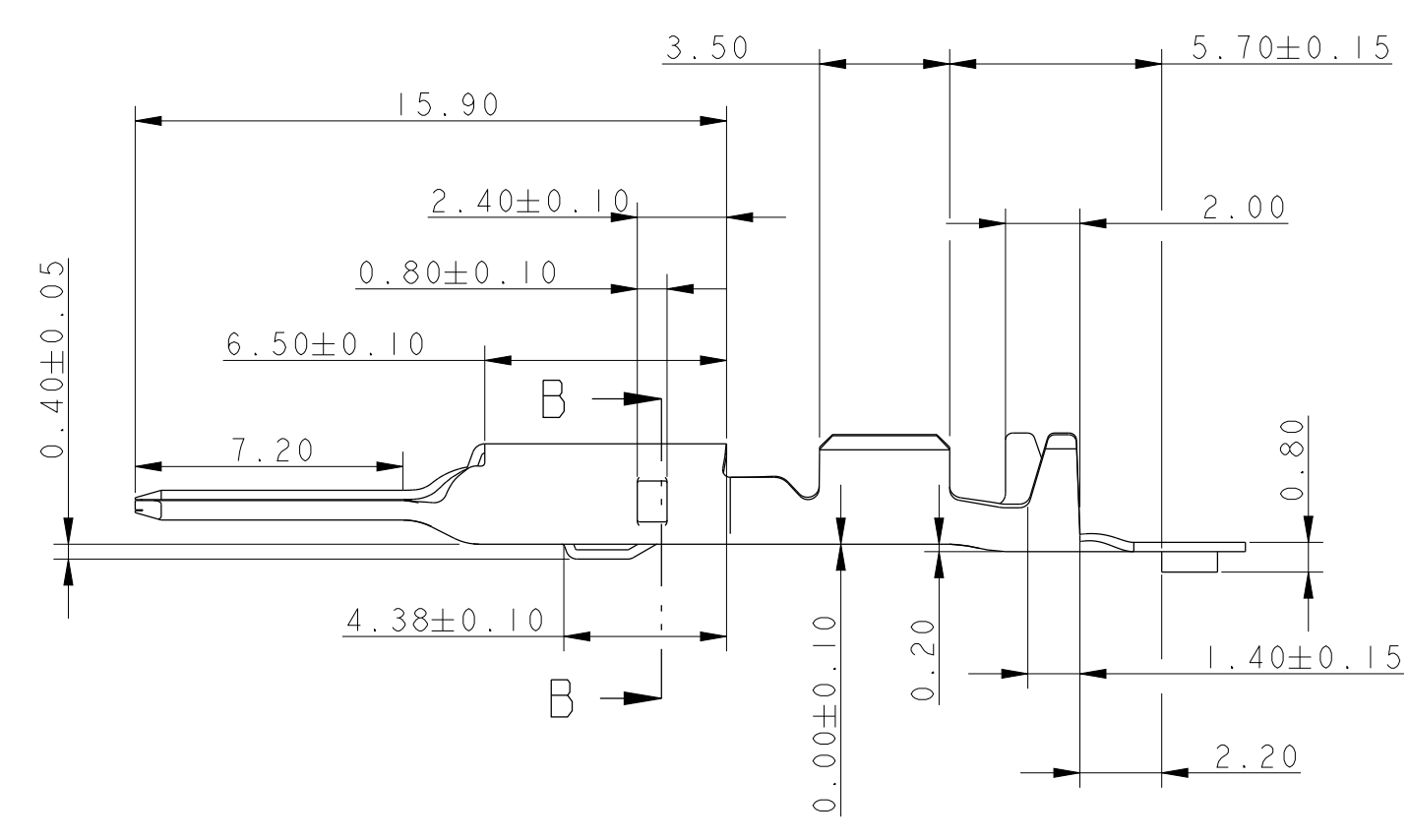
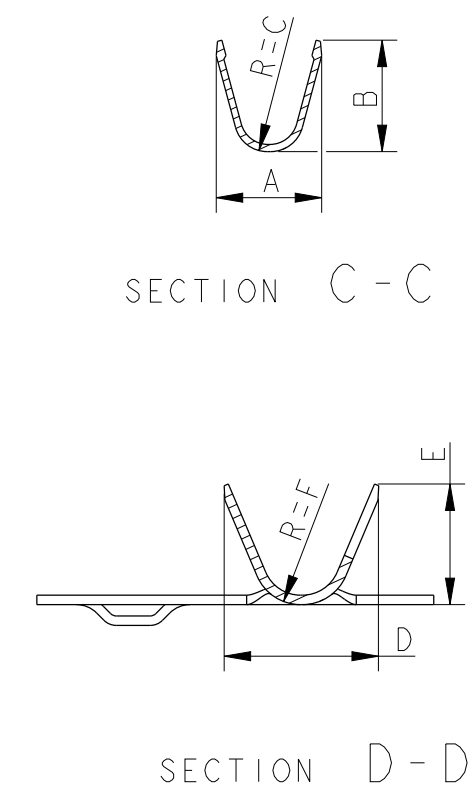
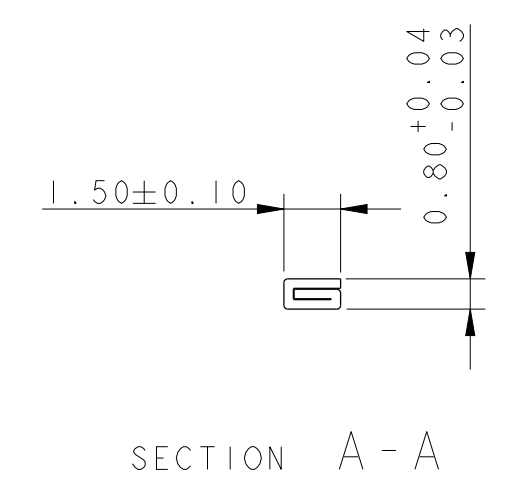
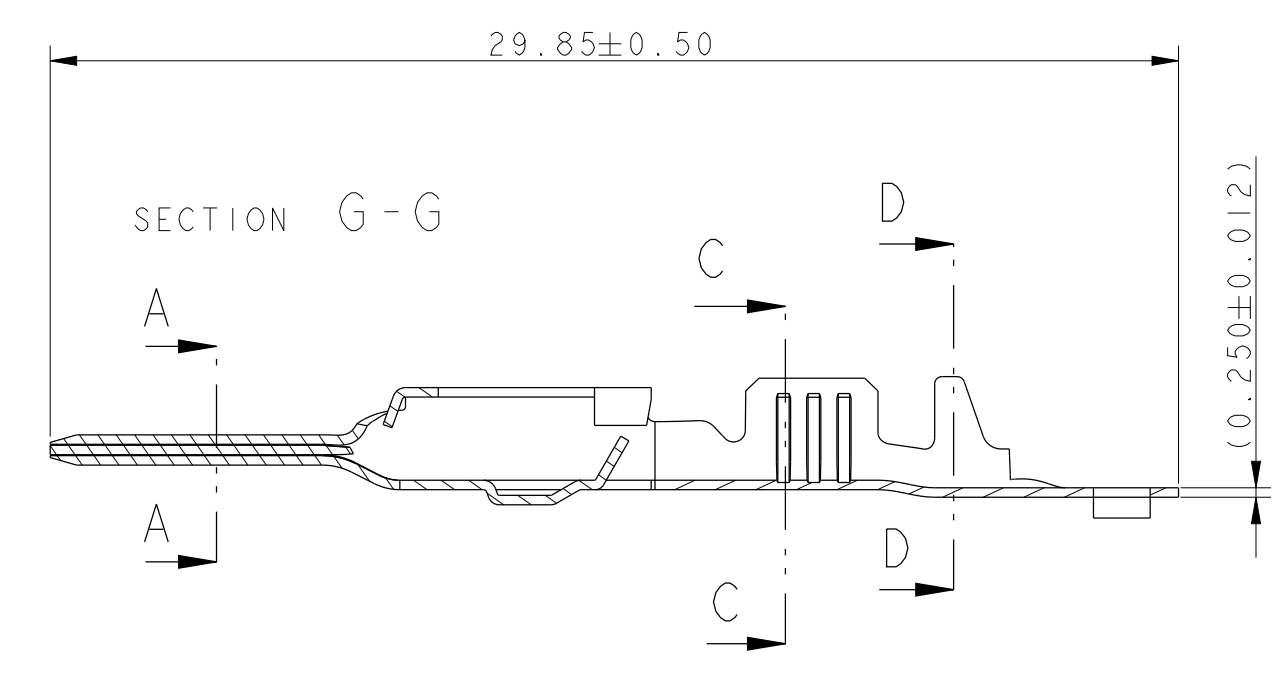


		JUF ou manchon / SWS or wire tube	JUF SWS	JUF SWS	JUF SWS	MATIERE MATERIAL	CLASSE CLASS
Pré-étamé / Pre-tinned	MVL	P/N F151000	TBD	F251000	TBD	F351000	TBD
	Rev.	A		A		A	
DELPHI	P/N	33510912	-	33500741	-	33510913	-
	Rev.	01		01		01	
Section Gauge		0.5 to 0.85		0.8 to 1.3		1.4 to 2	
e Isolant e Insulation		1.4 to 1.9		1.8 to 2.2		2.2 to 2.7	
A		2.24		2.78		3.15	
B		2.36		2.95		3.30	
C		0.52		0.67		0.80	
D ± 0.3		3.08		4.00		5.00	
E		3.09		3.20		4.15	
F		0.82		1		1.25	



- NOTES:
- 1 - SPECIFICATION DE SERTISSAGE VOIR: FE CS 06 002 FOR CRIMP SPECIFICATION, SEE FE CS 06 002
  - 2 - CONDITIONEMENT VOIR: PU 098 FOR PACKAGING, SEE: PU 098
  - 3 - ( ) COTES NON TOLERANCEES, DONNEES POUR INFORMATIONS ( ) NO TOLERANCED DIMENSIONS, GIVEN FOR INFORMATION

ECN-NO. / NUMERO ECH	POSITION / POSITION	CHANGE DESCRIPTION / MODIFICATION
		DELPHI P/N ADDED
PROJECT SPEC. / SPECIF. PRODUIT	PACKAGING SPEC. / SPECIF. EMBALLAGE	APPLICATION SPEC. / SPECIF. APPLICATION
<p>DO NOT REASURE DRAWING / NE PAS REASUREZ LE DROIT</p> <p>DO NOT MEASURE DRAWING / NE PAS MEASUREZ LE DROIT</p>		
CREATED BY / DATE	NAME / NOM	TITLE / DESIGNATION
APPROVED BY / DATE	NAME / NOM	TITLE / DESIGNATION
<p>15 x 08 GTS MALE TERMINAL</p>		
DRAWING NUMBER / REF. PLAN		IND.
PCC0578250		B
SERIAL RELEASED		
See Table		