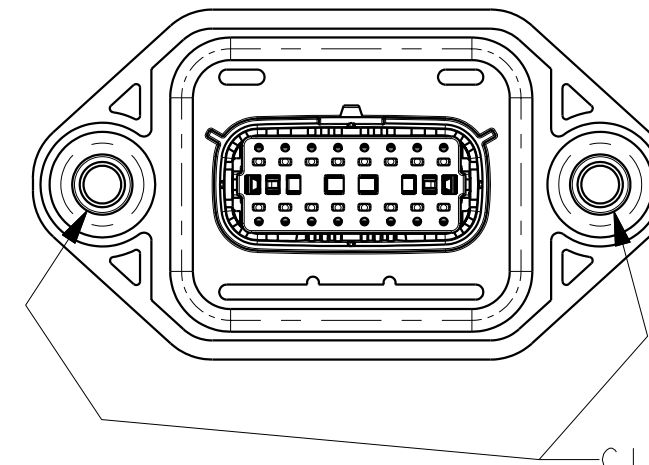
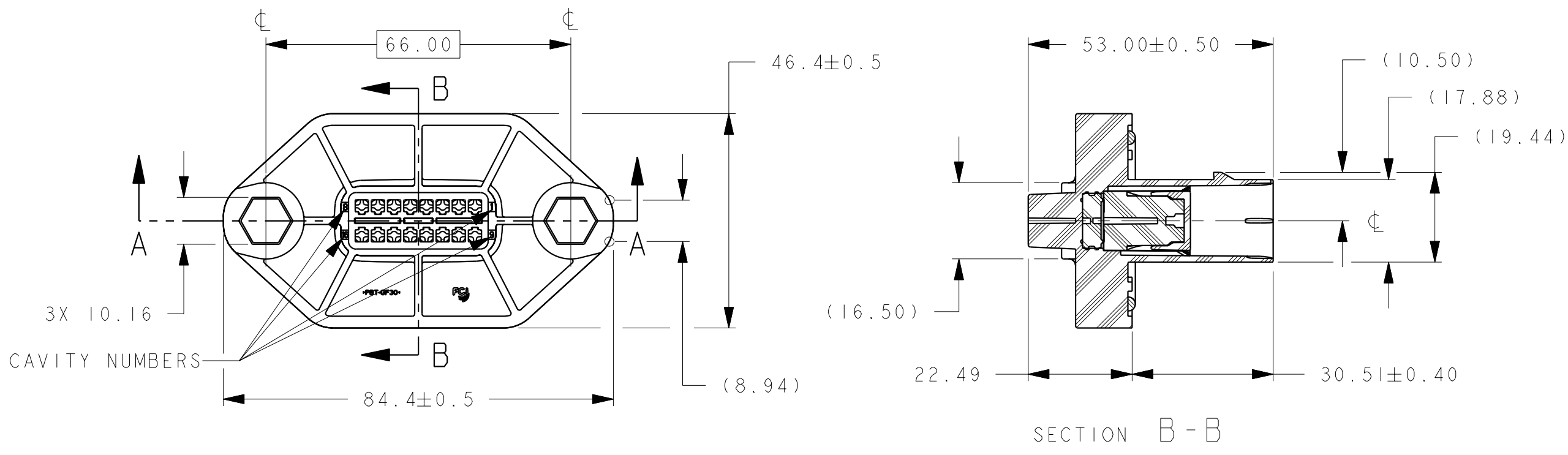
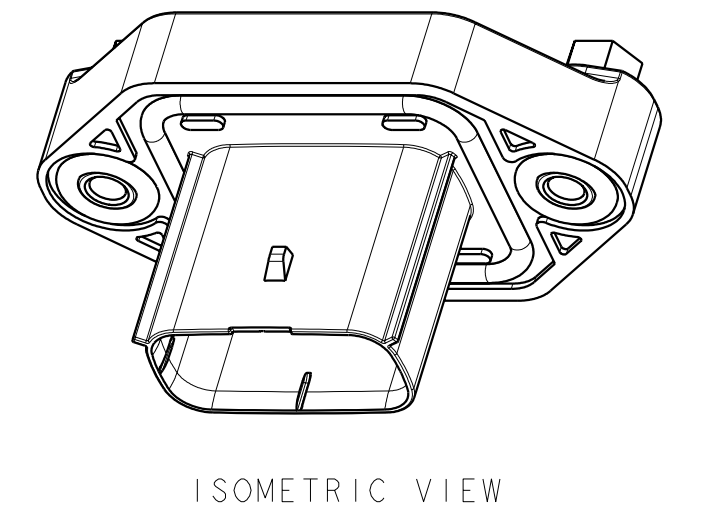
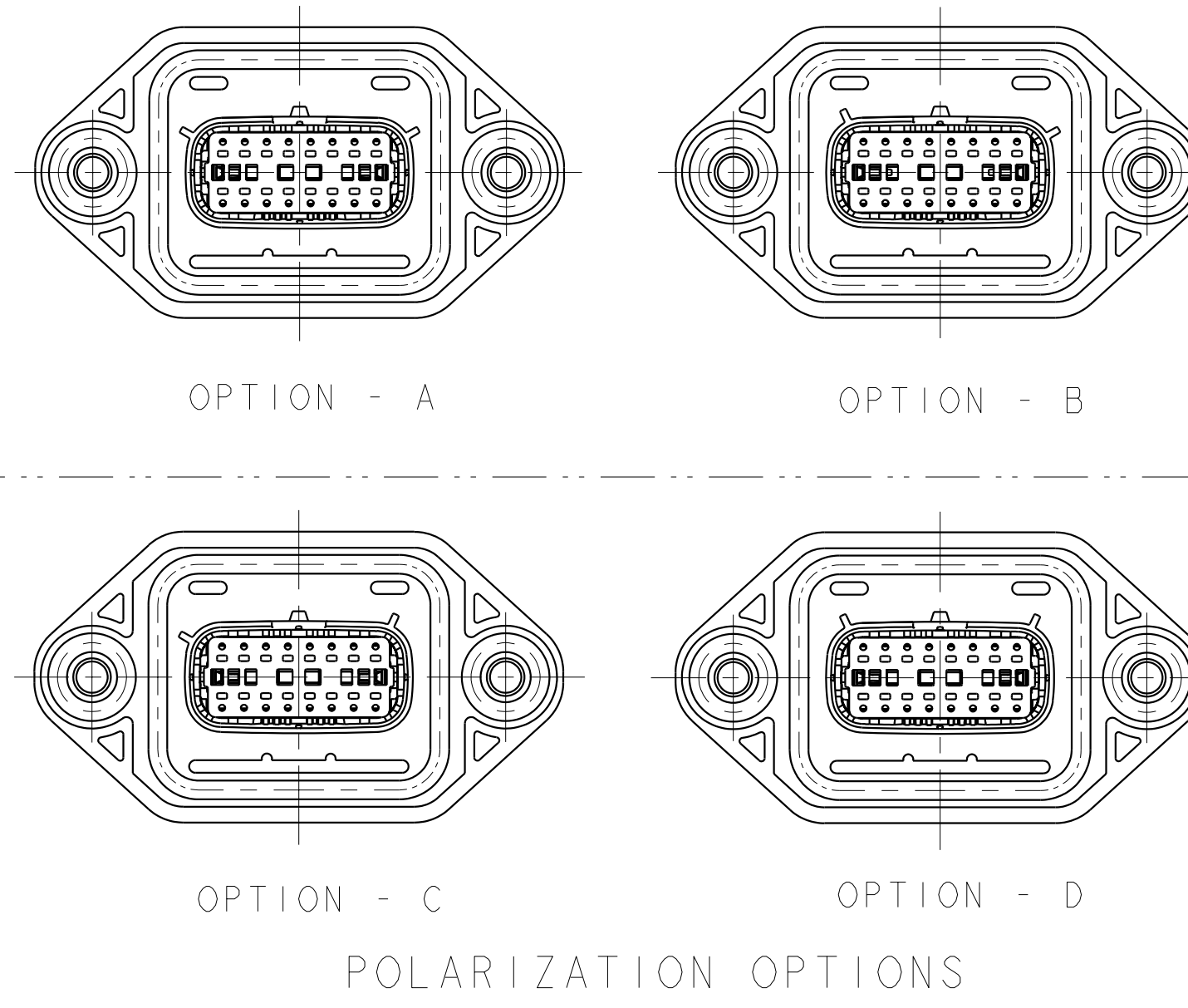
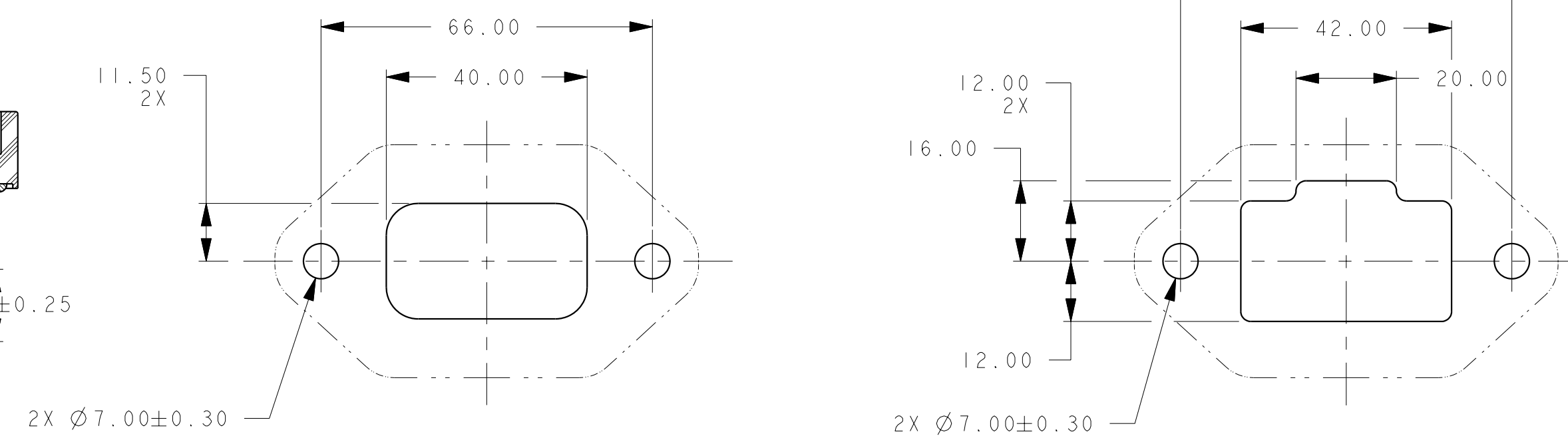
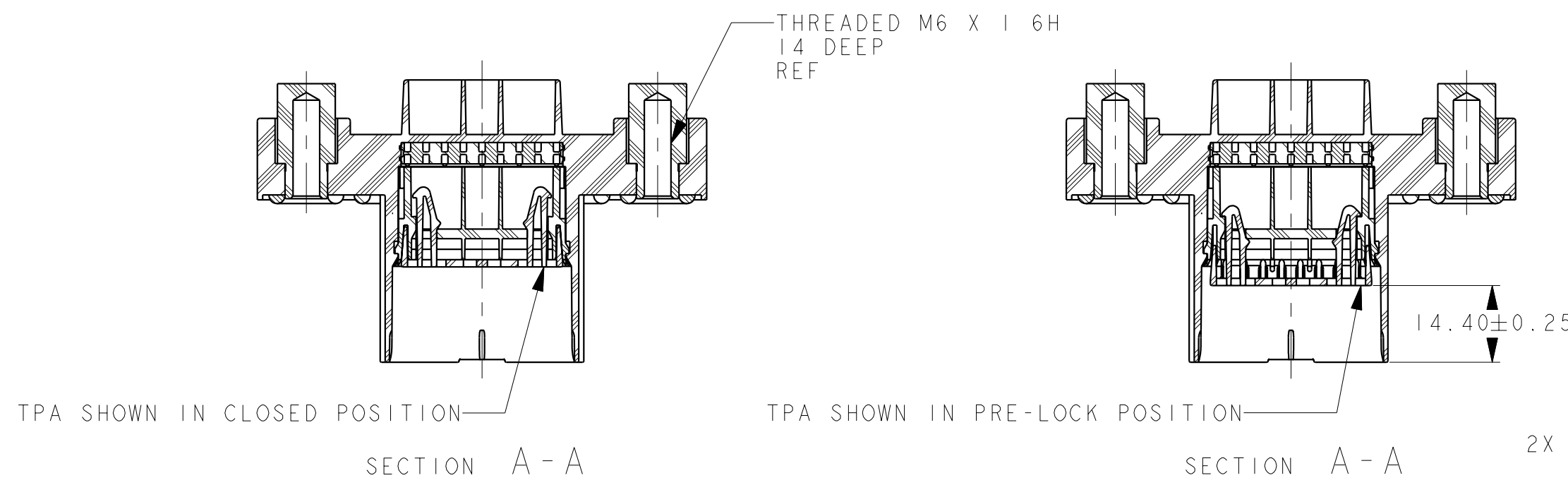
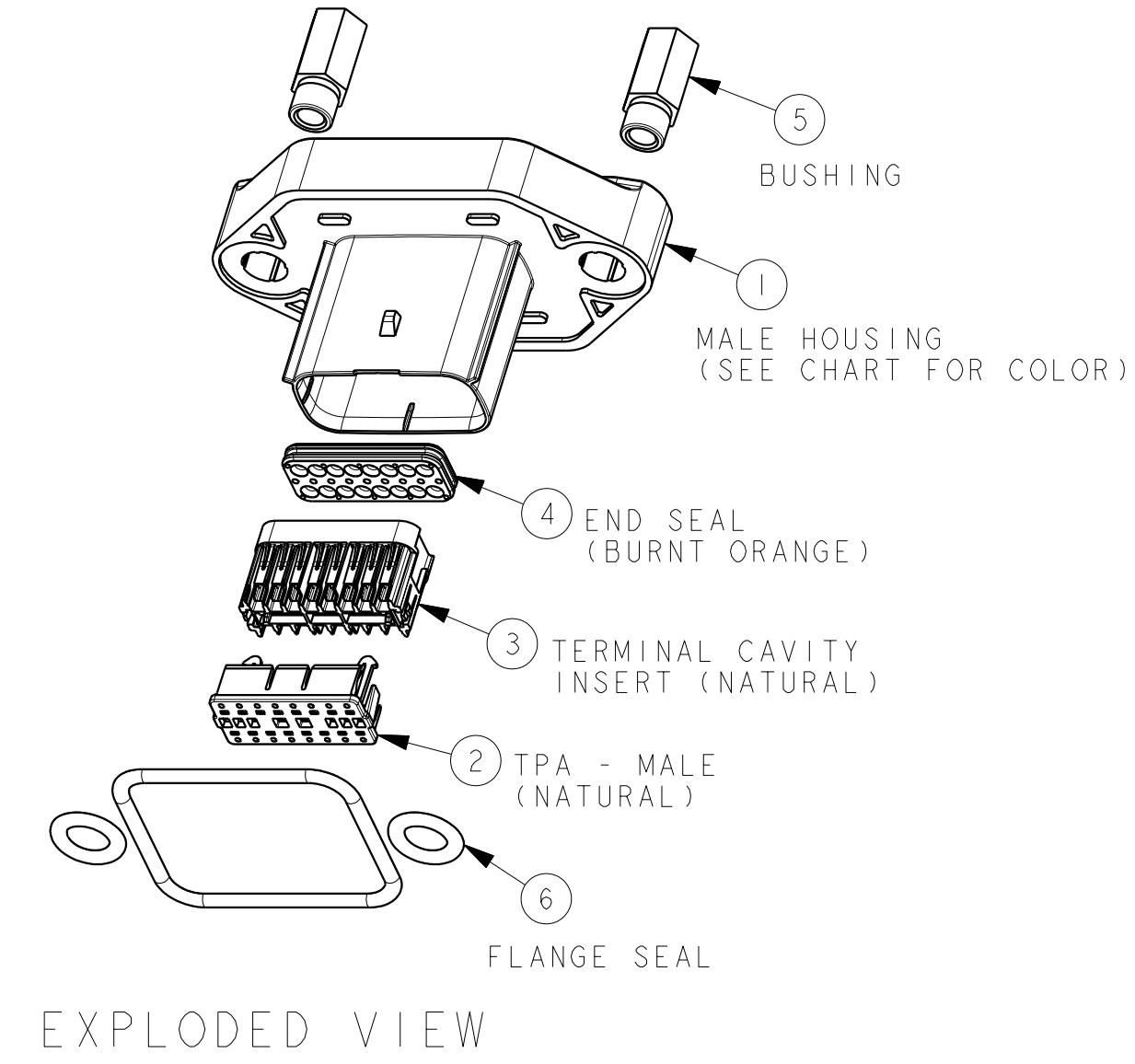


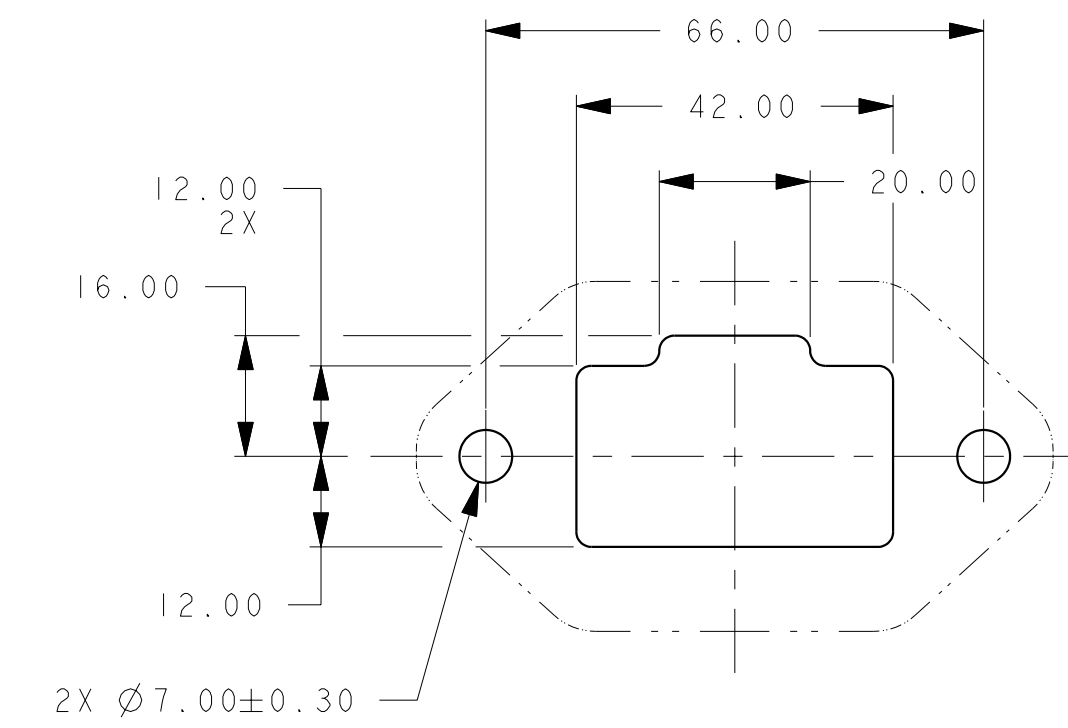
SEAL
(ITEM 6)
MATERIAL: LOCTITE FASTGASKET 5950



CIPG (GASKET) MUST BE IN CONTACT WITH BUSHINGS ALL AROUND. GAPS AND/OR VOIDS ARE NOT PERMISSIBLE.



PANEL CUTOUT FOR PANELS LESS THAN 9.00 THICK



PANEL CUTOUT FOR PANELS MORE THAN 9.00 THICK

NOTES
UNLESS OTHERWISE SPECIFIED:
GENERAL TOLERANCE:
X.X - ±0.50
X.XX - ±0.30
ANGLES - ±2°

ALL DIMENSIONS APPLY TO FULLY ASSEMBLED CONNECTOR

THREADED BUSHINGS MUST WITHSTAND A PUSH-OUT FORCE OF 10 N (2.24 lbf) MIN

THREADED BUSHINGS MUST RESIST A TORQUE OF 3.39-3.95 N-m (30-35 lb-in) IN BOTH DIRECTIONS

ATTACHMENT FASTENERS ARE NOT SHOWN AND ARE NOT INCLUDED

SIZE AND STYLE OF ATTACHMENT FASTENER CAN VARY ACCORDING TO THE APPLICATION AND ARE THE RESPONSIBILITY OF THE USER.

CONNECTOR MAY BE USED WITH THE FOLLOWING RANGE OF WIRE SIZES/TYPES:
- SIZE: 22 GAGE - 16 GAGE - 1.50mm MIN O.D. TO 2.41mm MAX O.D.
- TYPE: TXL (MIL123-A /MS-8288)
- CONTACT FCI ENGINEERING REGARDING USE OF OTHER WIRE TYPES AND/OR SIZES

RECOMMENDED COMPONENTS

FCI PART NUMBER	ITEM DESCRIPTION	PLATING	GRIP SIZE
54001626	APEX 150 TERMINAL	TIN	16,18
54002001	APEX 150 TERMINAL	TIN	20,22
54001628	APEX 150 TERMINAL	GOLD	16,18
54002003	APEX 150 TERMINAL	GOLD	20,22
54241629	APEX 150 UNIVERSAL SEAL PLUG	-	-

ASSEMBLY NUMBER	ASSY NUMBER IN PROCESS (NO FLANGE SEAL)	KEY OPTION	COLOR	ALL PLUGS	HOUSING (ITEM 1)	TPA (ITEM 2)	TCI (ITEM 3)	SEAL (ITEM 4)	BUSHING (ITEM 5)	1	2	3	4	5	6	7	8	9	10	11	12	13	14	15	16	TOTAL CIRCUITS	FCI MATING CONNECTOR REF	
F607400	S191010	D	GREEN	REMOVED	F953600	54241684	54241685	54241689	C055200																	16	54241603	
F507400	S091010	C	BROWN	REMOVED	F853600																						16	54241602
F407400	S981010	B	GREY	REMOVED	F753600																						16	54241601
F307400	S881010	A	BLACK	REMOVED	F653600																						16	54241600
TBD	TBD	D	GREEN	PRESENT	F553600					X	X	X	X	X	X	X	X	X	X	X	X	X	X	X	X	0	54241603	
TBD	TBD	C	BROWN	PRESENT	F453600					X	X	X	X	X	X	X	X	X	X	X	X	X	X	X	X	0	54241602	
TBD	TBD	B	GREY	PRESENT	F353600					X	X	X	X	X	X	X	X	X	X	X	X	X	X	X	X	0	54241601	
TBD	TBD	A	BLACK	PRESENT	F253600					X	X	X	X	X	X	X	X	X	X	X	X	X	X	X	X	0	54241600	

11789 CHART ADDED IN PROCESS ASSEMBLY NUMBERS AND CORRECTED ITEM NUMBERS

11692 L11 ADDED SEAL MATERIAL CALLOUT

11297 H9 ADDED DRAWING VIEW AND NOTE
RELEASED FOR PRODUCTION

DATE	NAME	TITLE	DRAWING NUMBER	REV.	APPROVAL LEVEL
2019/09/18	S.PALANICHAMY	APEX 150 16W MALE FLANGED	PCC0641356	C	
2019/09/18	Franz HOLLER	APEX 150 BULKHEAD SEALED FLANGE	PCC0641356	C	
2019/09/18	Busha SIAN				
2019/09/18	JUD CAMPBELL				

FILE NAME: PCC0641356 DOCUMENT UNDER PDS CONTROL. NO MODIFICATION ALLOWED OUTSIDE.

SCALE: 1.00