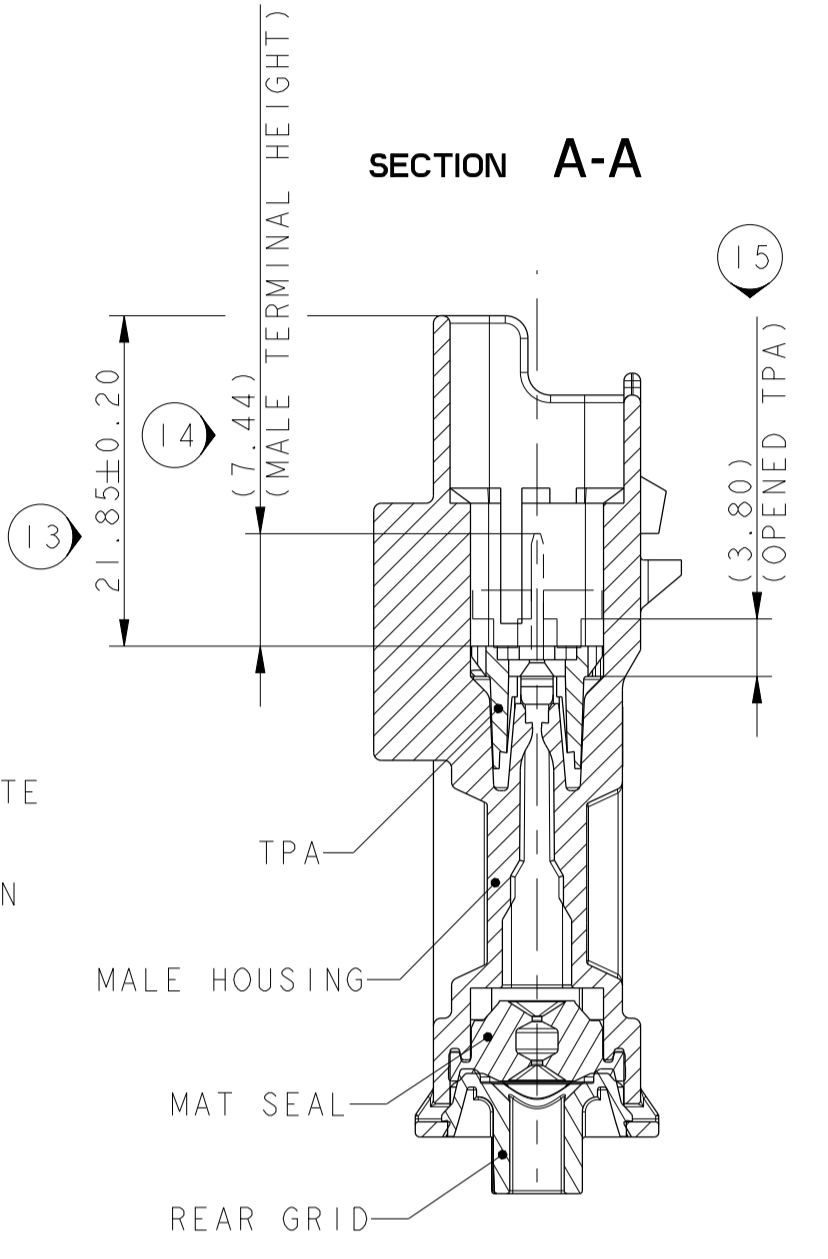
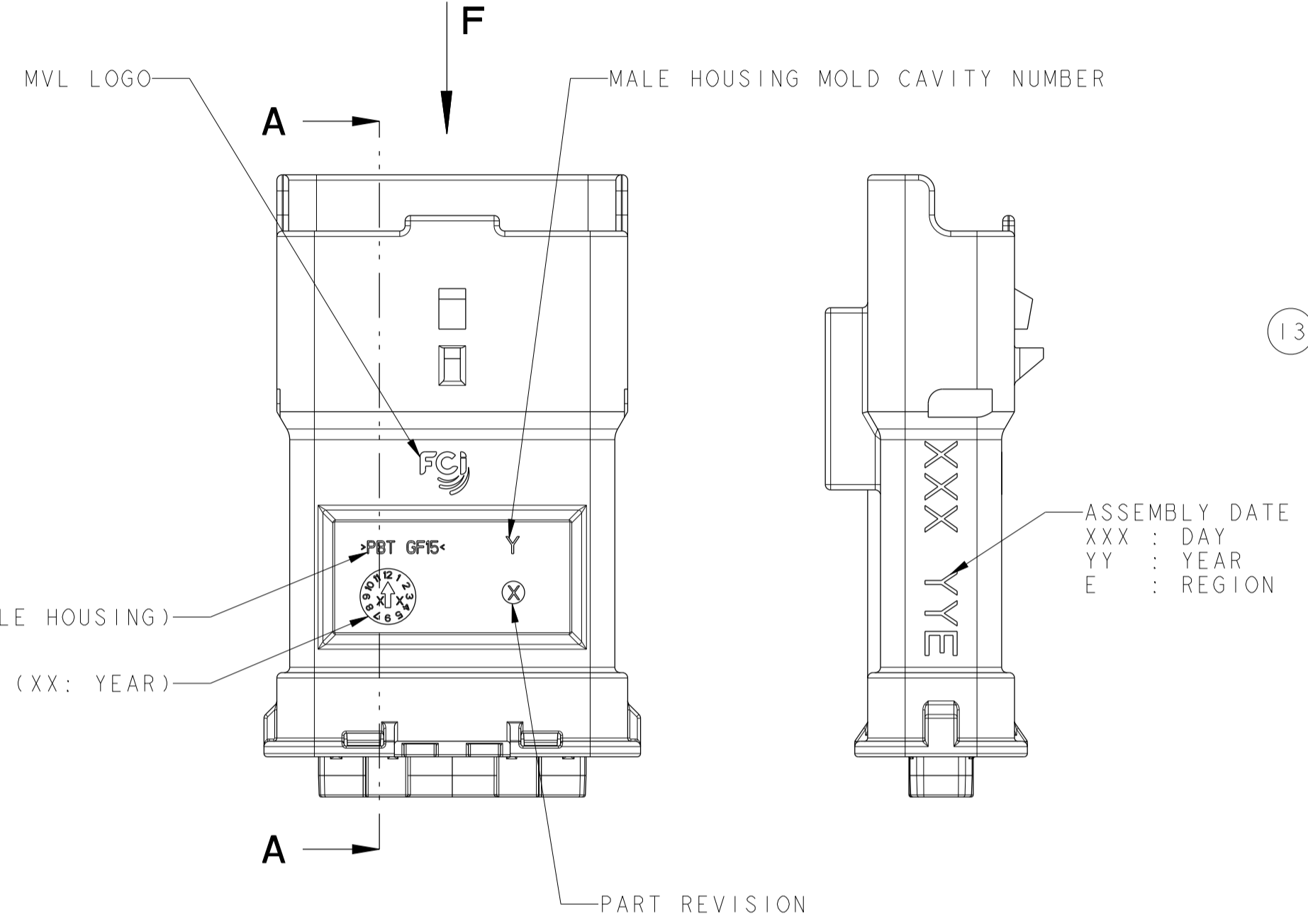
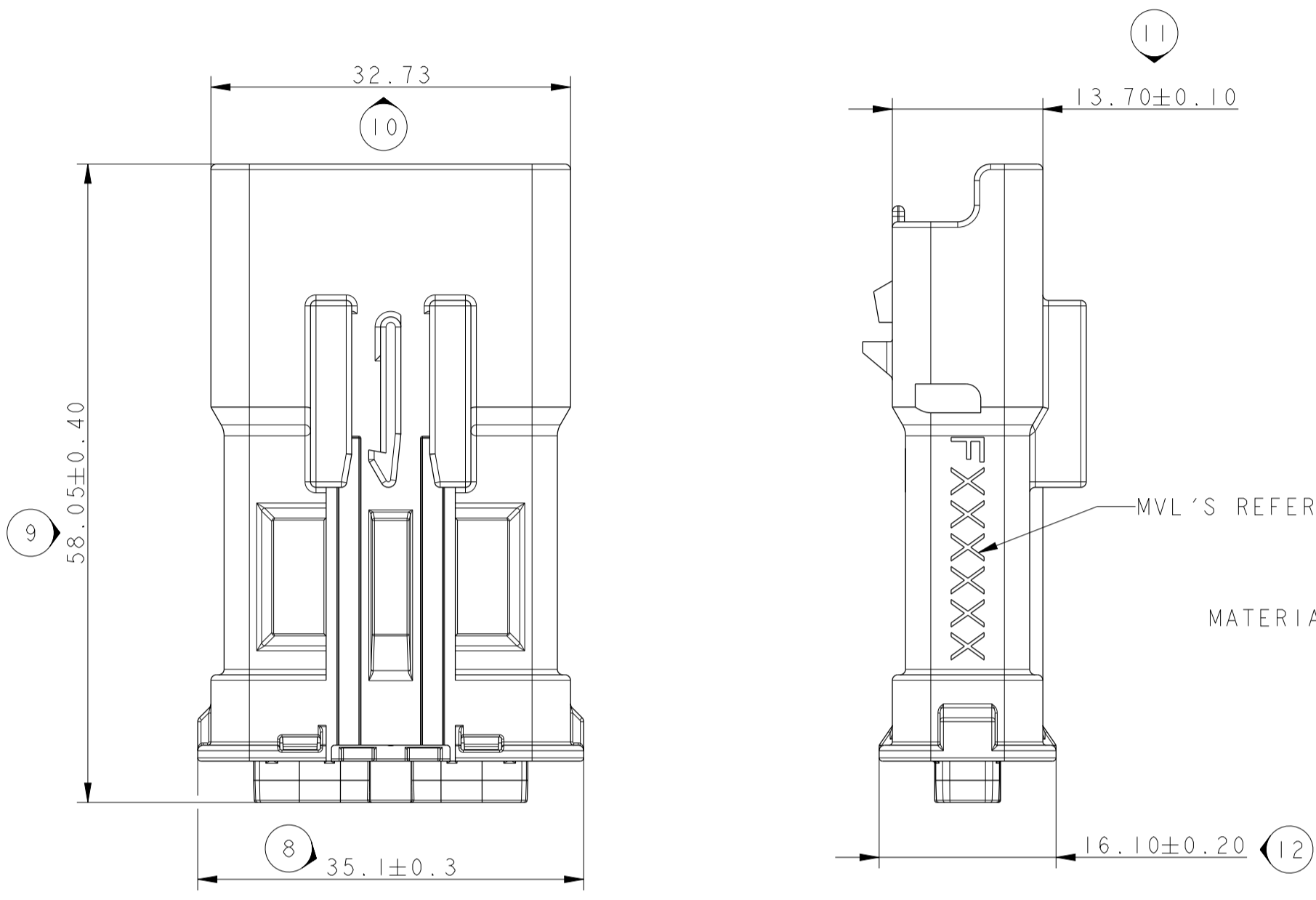
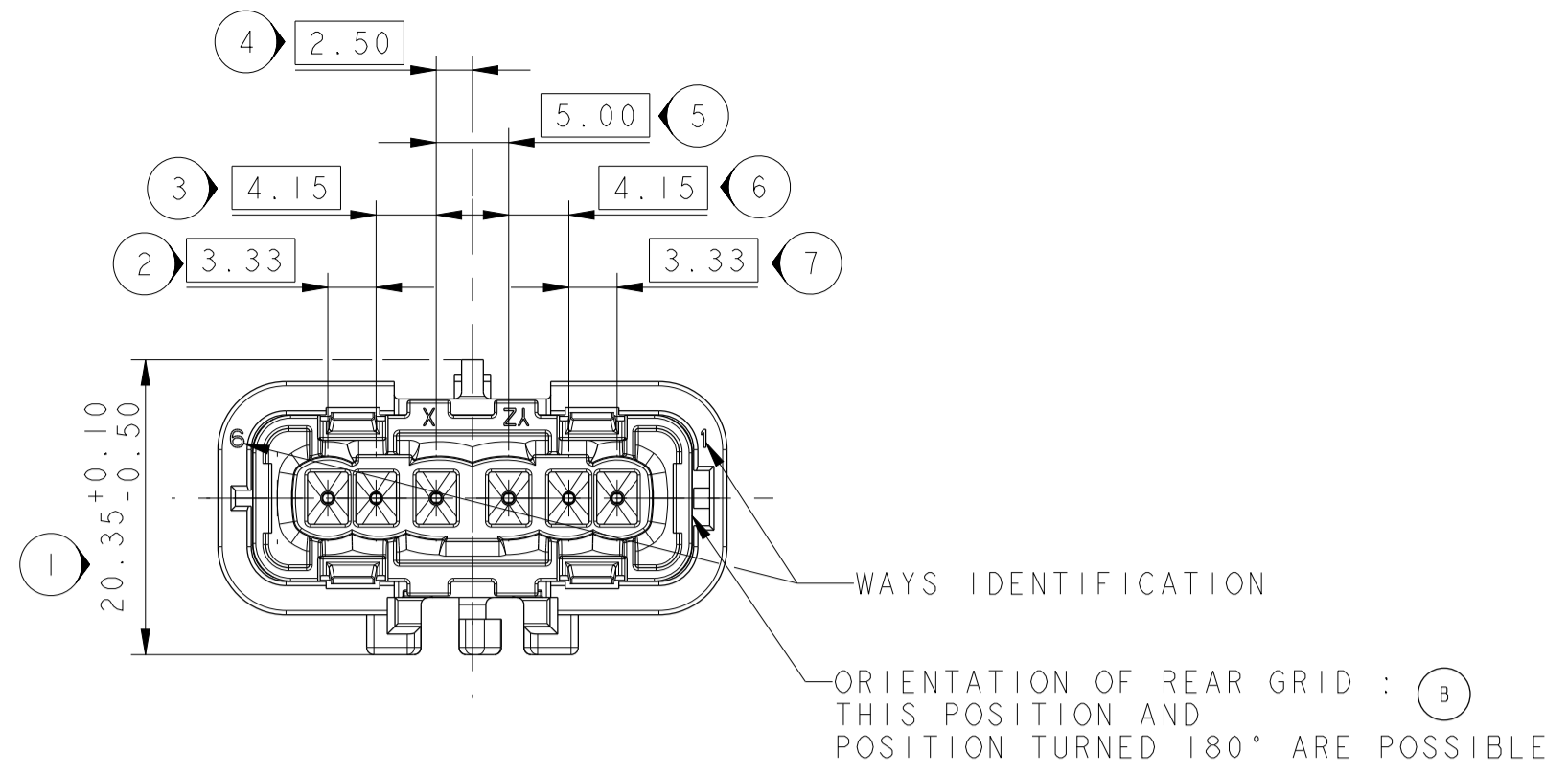
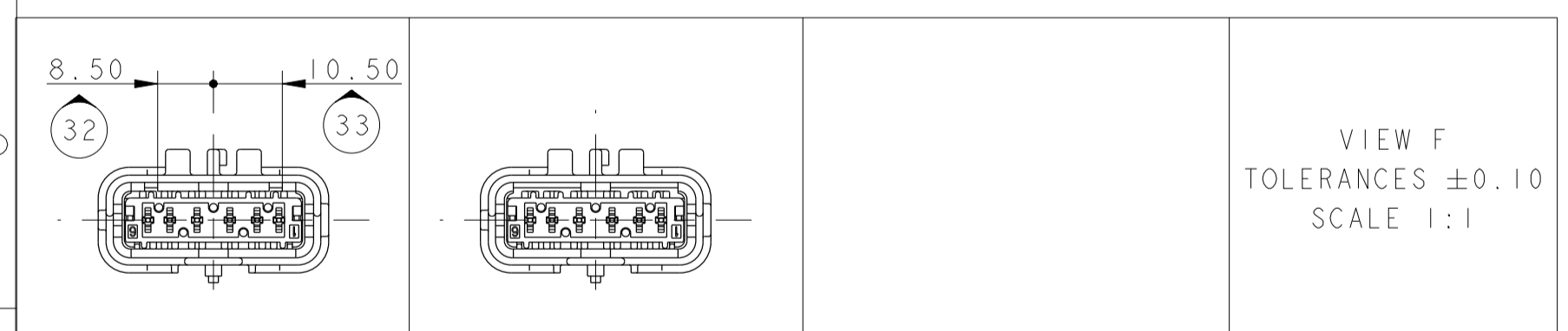
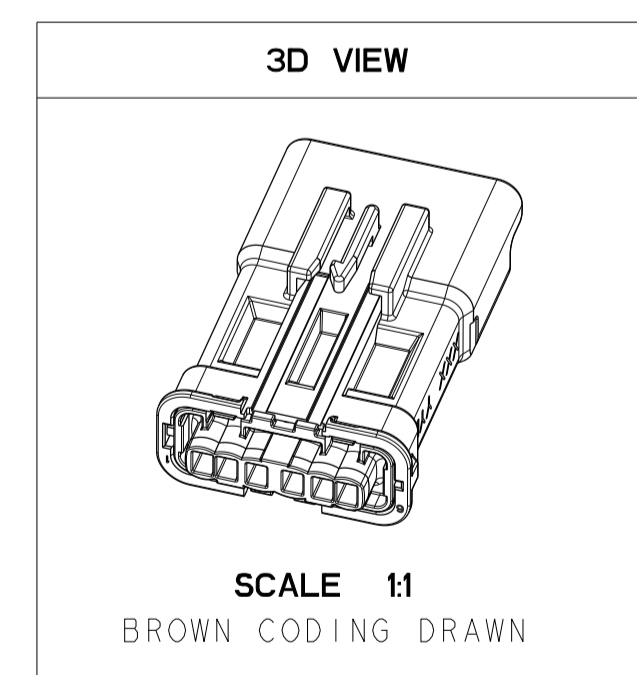
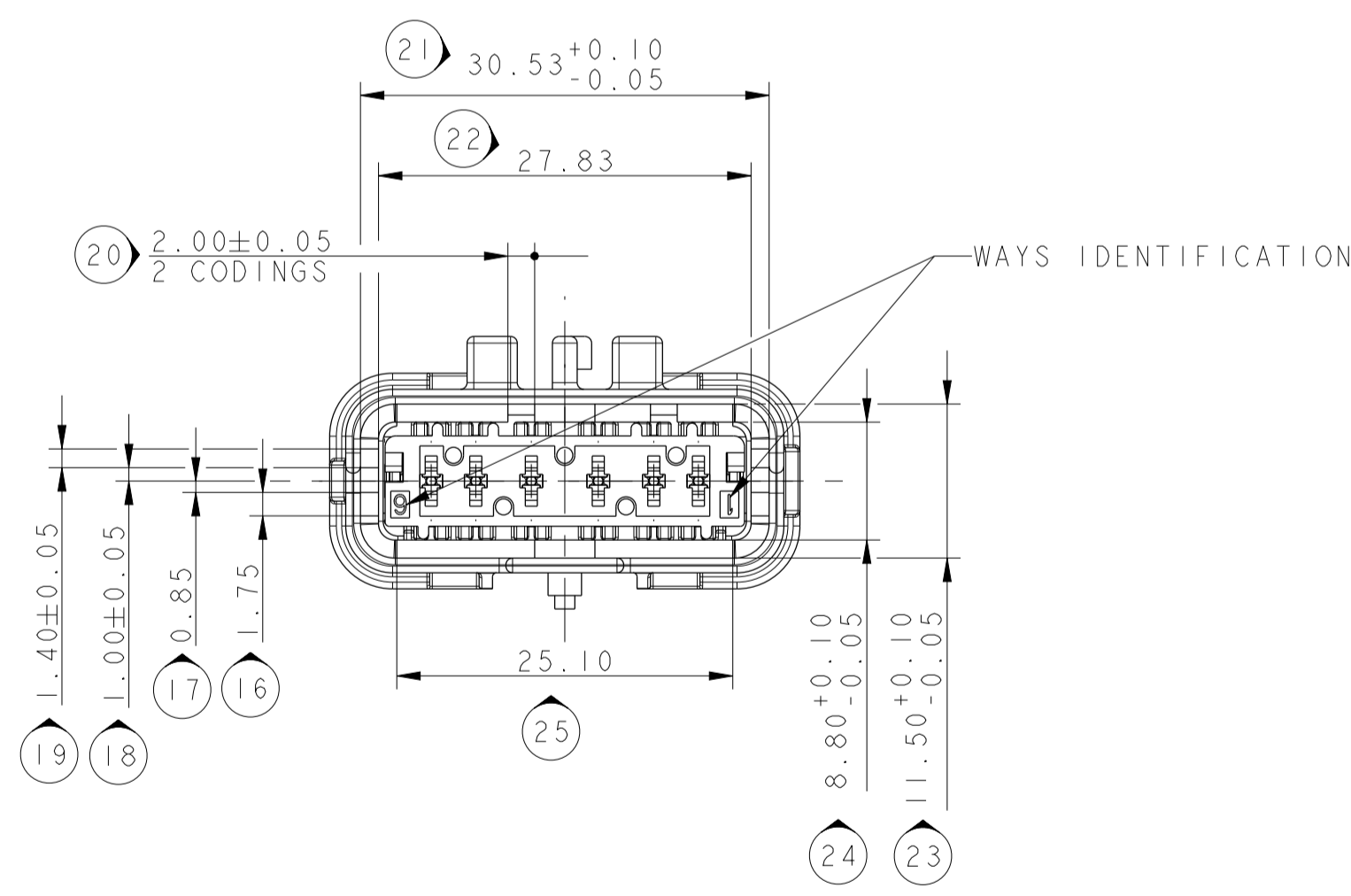


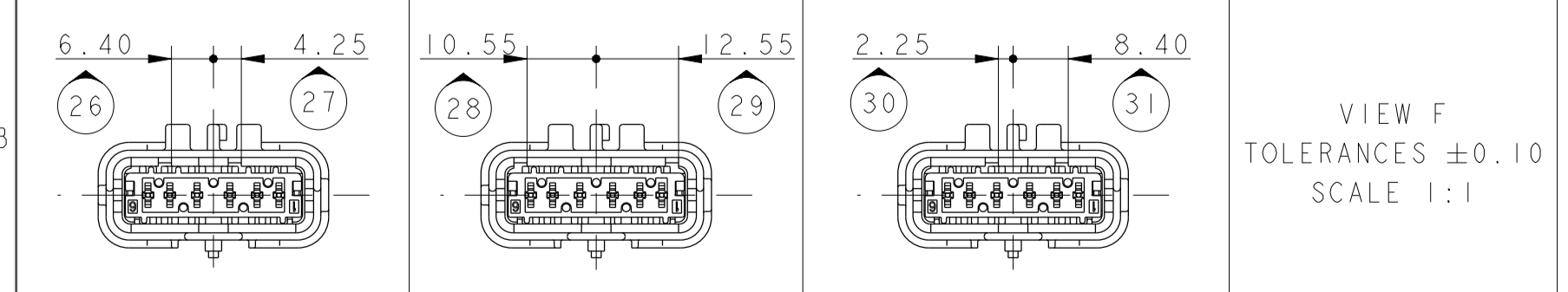
NOTE	SPECIFICATIONS
1	USER'S MANUAL MVL'S REFERENCE: PUI64 - ASSOCIATED PRODUCTS (CONTACT, PLUG, ...) ARE DEFINED IN THE USER'S MANUAL
2	WIRE INSULATION DIAMETER :MINI=1.25 :MAXI=2.80
3	DELIVERED CONNECTOR WEIGHT : 15g
4	FEMALE/MALE CONNECTOR MATING FORCE F : 75 N
5	COMPATIBLE WITH CONNECTOR DRAWING PCC0816827



DESCRIPTION	MVL'S SERIAL REF.	DELPHI'S SERIAL REF. (B)	MATERIAL	COLOUR
MALE HOUSING	S873700	-	PBT GF15	YELLOW
	S973700	-	PBT GF15	GREEN
	S083700	-	PBT GF15	BROWN
	S183700	-	PBT GF15	RED
	S283700	-	PBT GF15	PURPLE
TPA	S514700	-	PBT GF15	YELLOW
MAT SEAL	S693700	33501745	SILICONE	GREY
REAR GRID	S583700	33512023	PBT GF15	BLACK

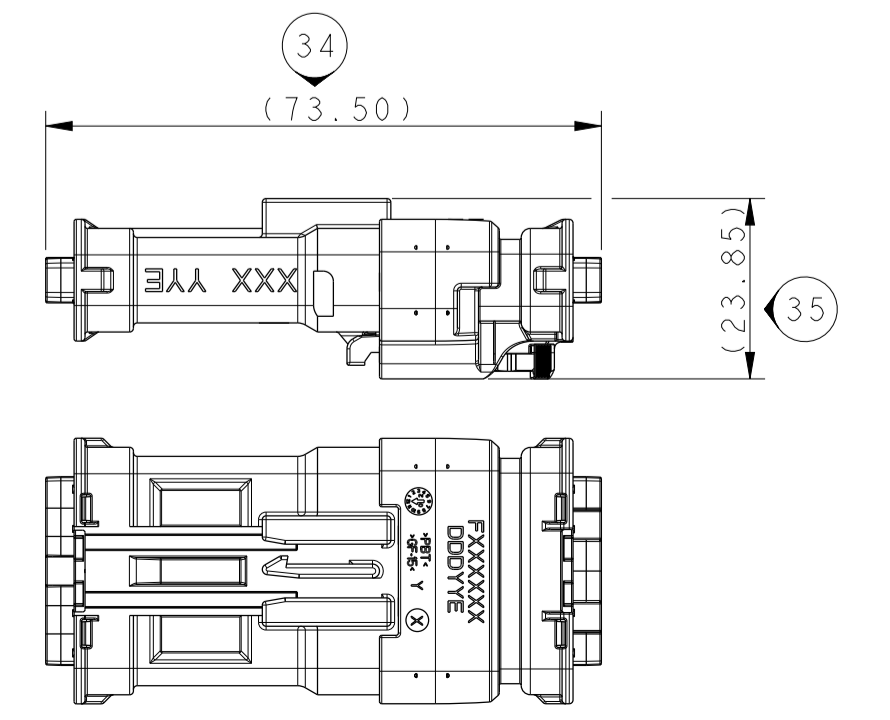


COLOUR CODING	PART NUMBER	PART REVISION	MVL
RED	F953700	A	MVL
PURPLE	F063700	A	MVL
	33502277	01	DELPHI
	33511739	01	DELPHI



COLOUR CODING	PART NUMBER	PART REVISION	MVL
YELLOW	F153700	A	MVL
GREEN	F253700	A	MVL
BROWN	F353700	A	MVL
	13967810	01	DELPHI
	33511738	01	DELPHI
	13830087	01	DELPHI

OVERALL DIMENSION MATTED ON FEMALE CONNECTOR  
SEE NOTE 5



ECR-NO.	POSITION	CHANGE DESCRIPTION
ECR 13-363	EF 14-15	DELPHI REFERENCE ADDED IN THE TABLE
	L 7-9	NOTE ADDED FOR REAR GRID
		KEYS OF POLARIZATION OF REAR GRID ARE SUPPRESSED

PROPERTY NO.	DATE	NAME	TITLE	DRAWING NUMBER	REV.	APPROVAL LEVEL
13967810	20140709	Yves DIAZ	6-WAY MALE SEALED CONNECTOR	PCC0816887	B	SHEET 1/1
13967810	20140709	S. LACOTE	SENOMATE SICMA 15			SHEET 1/1
13967810	20140709	S. LACOTE	SENOMATE SICMA 15			SHEET 1/1

DELPHI  
ELECTRICAL/ELECTRONIC ARCHITECTURE  
EPFONEN, FRANCE

SCALE: 2:1