

DWG. NO.
SA20636

3 POLE LIMITER BLOCK

CONTACT THE DOCUMENT CONTROL CENTER FOR THE LATEST REVISION.

SUPERSEDES: SD20636-18

W	REVISED PER ECN10186	MPK 05-23-07	FLR 05-23-07
19	REVISED & REDRAWN. ADDED VIEW K TO SHOW NEW 100° COUNTER SUNK HOLE. SEE REV. REFERENCE PRINT. (ECN 3515)	FDH 04-23-96	JJK 04-23-96
REV	DESCRIPTION	BY DATE	CHKD DATE

DRAWING TITLE
BLOCK, 3 POLE LIMITER

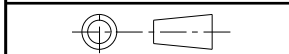
LINEAR MEASURE:  INCH [mm]

CAT NO. **F3H3M_ (SEE TABLE SHEET 2)**

THIRD ANGLE PROJECTION

CAGE NO.: 09922

SIZE: A



TOLERANCES UNLESS OTHERWISE SPECIFIED

CUSTOMER



APPROVAL	DRAWN: GRB	02-09-07
	CHKD : FLR	02-09-07
	DSGN : CL	06-26-95
	MFG : RR	02-09-07
	QC : DK	02-09-07

No. OF PLACES	INCH [mm]
ONE PLACE	±.1 [±3]
TWO PLACES	±0.02 [±.5]
THREE PLACES	±0.010 [±.25]

INTERPRET THIS DRAWING IN ACCORDANCE WITH ASME Y14.5M - 1994.

DRAWING SCALE: NONE

ANGLES ±1°

DRAWING NO. SA20636

REV W

www.souriau.com

1 OF 5

DWG. NO.
SA20636

NOTE: UNLESS OTHERWISE SPECIFIED.

- 1 3 POLE LIMITER BLOCKS ACCOMMODATES THREE 80-125 AMP LIMITERS FOR 120 VOLT D.C OR 200/115 VOLT A.C. 400 CYCLE - 3 PHASE AIRCRAFT CIRCUITS. FOR APPLICABLE TERMINAL LUGS, SEE TABLE 1.
- 2 LIMITERS (CATALOG NO'S FIL80, FIL100 AND FIL120) ARE PURCHASED SEPERATELY. SEE DRAWING SA20635.
- 3 COUNTER SUNK MOUNTING HOLES ACCOMMODATE NO. 8 FLAT HEAD MACHINE SCREWS. F3H3MSS ONLY: ACCOMMODATE NO. 8 - 100° INCLUDED ANGLE FLAT HEAD SCREW PER DAC SPECIFICATION 3D0068 (REF: 3D0068-08)
- 4 F3H3MSS ONLY: FUNCTIONAL TORQUE VALUE FOR THE HEX HEAD BOLT IS 90±5 IN-LBS [10.2±0.6 Nm]

DESCRIPTION TABLE

CATALOG NUMBER	DESCRIPTION	MTG. HOLE COUNTER SINK ANGLE
F3H3M	3 POLE LIMITER BLOCK WITH BRASS ROUND HEAD TERMINAL LUG MTG. SCREW	82° INCLUDED
F3H3MSS	3 POLE LIMITER BLOCK WITH STEEL HEX. HEAD TERMINAL MTG. BOLT	100° INCLUDED

TABLE 1

AIRCRAFT CABLE	HYDENT TERMINAL
COPPER NO. 8	YAV8C-L1
COPPER NO. 6	YAV6C-L
COPPER NO. 4	YAV4C-L
COPPER NO. 2	YAV2C-L1
ALUM NO. 8	YAV8CA-L1
ALUM NO. 6	YAV6CA-L1
ALUM NO. 4	YAV4CA-L
ALUM NO. 2	YAV2CA-L1

DRAWING TITLE

BLOCK, 3 POLE LIMITER

CAT NO.

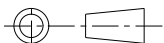
F3H3M (SEE TABLE)

LINEAR MEASURE:  INCH [mm]

THIRD ANGLE PROJECTION

CAGE NO.: 09922

SIZE: A



TOLERANCES UNLESS OTHERWISE SPECIFIED

No. OF PLACES	INCH [mm]
---------------	-----------

ONE PLACE	±.1 [±.3]
-----------	-----------

TWO PLACES	±0.02 [±.5]
------------	-------------

THREE PLACES	±0.010 [±.25]
--------------	---------------

ANGLES	±1°
--------	-----

CUSTOMER

INTERPRET THIS DRAWING IN ACCORDANCE WITH ASME Y14.5M - 1994.



www.souriau.com

APPROVAL	DRAWN: GRB	02-09-07
	CHKD: FLR	02-09-07
	DSGN: CL	06-26-95
	MFG: XXX	02-09-07
	QC: XXX	02-09-07

DRAWING SCALE: NONE

DRAWING NO.	REV
-------------	-----

SA20636	W
---------	---

CONTACT THE DOCUMENT CONTROL CENTER FOR THE LATEST REVISION.

PROFE

CONTACT THE DOCUMENT CONTROL CENTER FOR THE LATEST REVISION.

DWG. NO.
SA20636

MATERIAL:

BASE: MELMAC 592 OR EQUIVALENT PER MIL-P-14, TYPE MME
 SPACER: GLASS BASE MELAMINE, COLOR NATURAL, NEMA GRADE G5-CD-F GRADE GB-2BM OR EQUIVALENT
 CONTACT CLIPS: COPPER ALLOY
 RIVETS: BRASS
 THREADED BASE INSERT: BRASS PER ASTM B16

F3H3M ONLY:

1/4 -28UNF-2A X .500 [12.7] LG
 ROUND HEAD MACHINED SCREW
 PER AN520UB416-8: COPPER ALLOY

LOCK WASHER - 1/4" PER
 AN935.416: SILICON BRONZE

FLAT WASHER - 1/4" X .040[1.02]
 THICK PER AN93490A029: SILICON BRONZE

F3H3MSS ONLY:

1/4-28UNJF-3A X .550 [13.97]
 LG HEX HEAD BOLT PER NAS6704U2: CORROSION RESISTANT STEEL

LOCK WASHER 1/4" X .062 [1.57]
 THICK PER MS35338 - 139: CORROSION RESISTANT STEEL

FLAT WASHER- 1/4" X .032 [0.81]
 THICK PER NAS1149C0432R: CORROSION RESISTANT STEEL

FINISH:

CONTACT CLIPS: SILVER PLATED

RIVETS: TIN PLATED

F3H3M ONLY:

1/4-28 UNF-2A ROUND HEAD SCREW
 LOCK WASHER AND FLAT WASHER: TIN PLATED

F3H3MSS ONLY:

1/4-28 UNJF-3A HEX HEAD BOLT
 LOCK WASHER AND FLAT WASHER: PASSIVATED PER QQ-P-35

THREADED BASE INSERT: TIN PLATED

WEIGHT: 8.80 OZ [249.47 GRAMS] MAX
 DOES NOT INCLUDE LIMITERS AND TERMINAL LUGS.

DRAWING TITLE
BLOCK, 3 POLE LIMITER

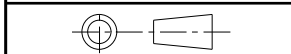
LINEAR MEASURE:  INCH [mm]

CAT NO. **F3H3M_ (SEE TABLE SHEET 2)**

THIRD ANGLE PROJECTION

CAGE NO.: 09922

SIZE: A



CUSTOMER



TOLERANCES UNLESS OTHERWISE SPECIFIED

INTERPRET THIS DRAWING IN ACCORDANCE WITH ASME Y14.5M - 1994.

www.souriau.com

No. OF PLACES	INCH [mm]
ONE PLACE	±.1 [±3]
TWO PLACES	±0.02 [±.5]
THREE PLACES	±0.010 [±.25]

ANGLES ±1°

APPROVAL

DRAWN:	GRB	02-09-07
CHKD :	FLR	02-09-07
DSGN :	CL	06-26-95
MFG :	XXX	02-09-07
QC :	XXX	02-09-07
DRAWING SCALE: NONE		
DRAWING NO.	REV	

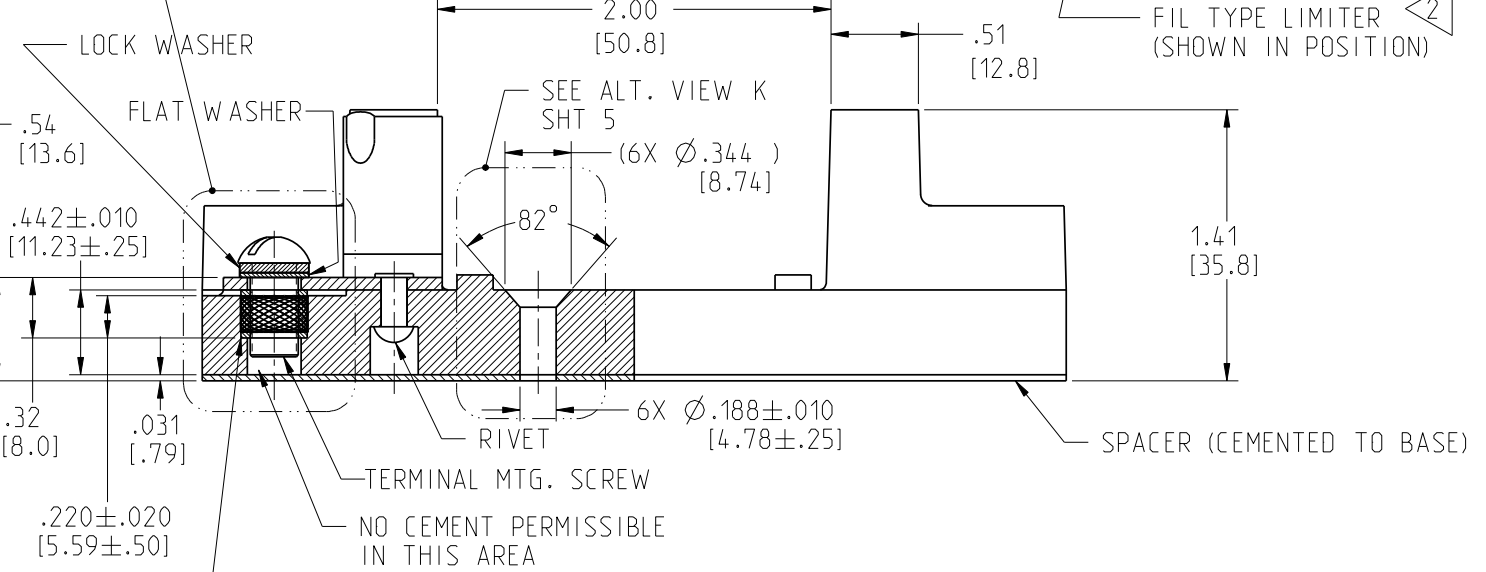
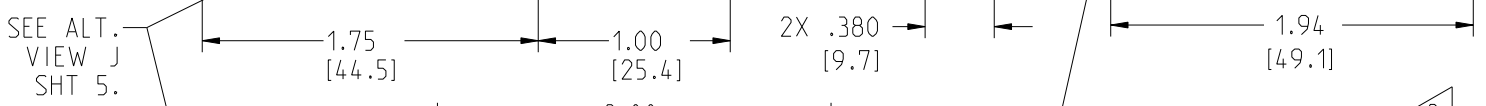
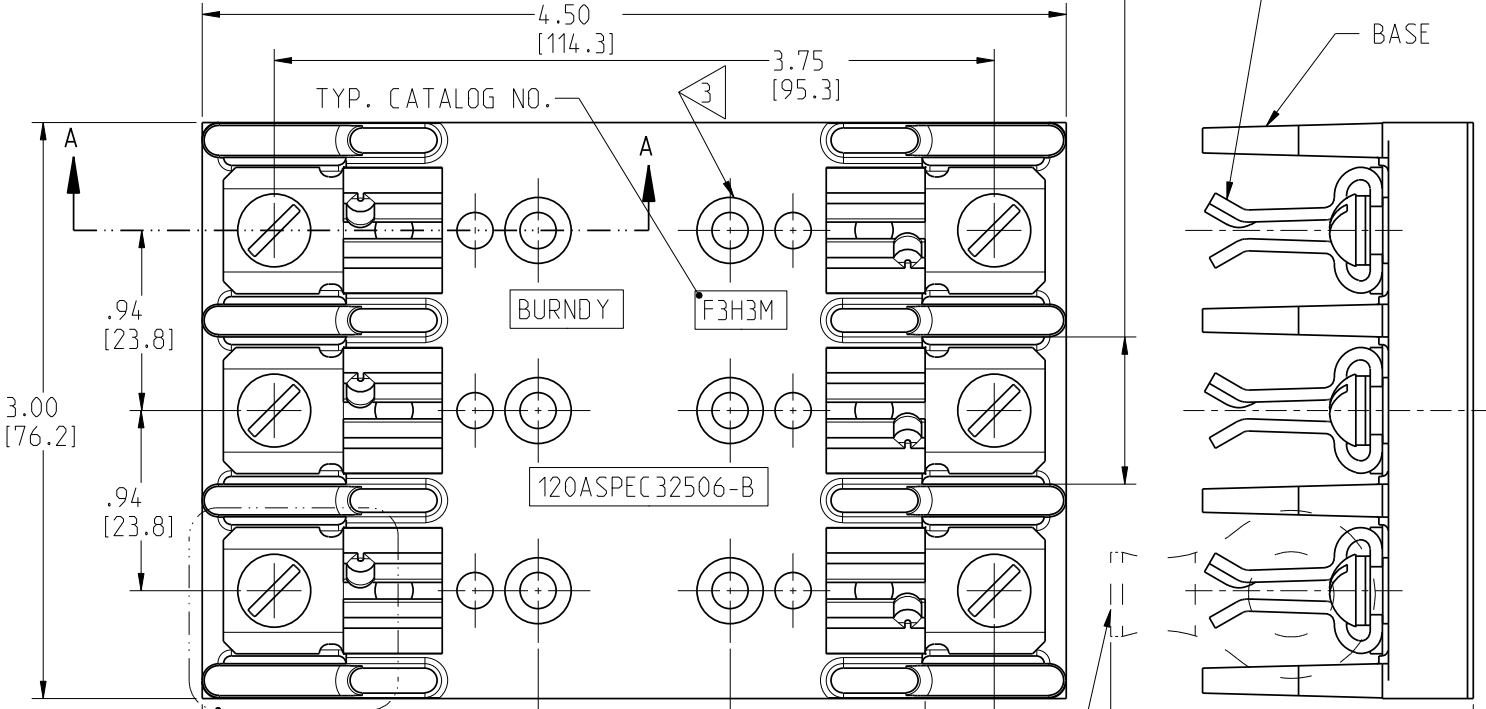
SA20636

W

3 OF 5

DWG. NO.
SA20636

6X .75±.01
[19.1±.3]



DRAWING TITLE
BLOCK, 3 POLE LIMITER

CAT NO. **F3H3M** (SEE TABLE SHEET 2)

CAGE NO.: 09922 SIZE: A

	<p>CUSTOMER</p>		APPROVAL	DRAWN: GRB	02-09-07
			CHKD: FLR	02-09-07	
<p>INTERPRET THIS DRAWING IN ACCORDANCE WITH ASME Y14.5M - 1994.</p>			DSGN: CL	06-26-95	
<p>www.souriau.com</p>			MFG: XXX	02-09-07	
<p>ANGLES ±1°</p>			QC: XXX	02-09-07	
<p>No. OF PLACES INCH [mm]</p>			DRAWING SCALE: 1:1		
<p>ONE PLACE ±.1 [±.3]</p>			DRAWING NO. SA20636		
<p>TWO PLACES ±0.02 [±.5]</p>			REV W		
<p>THREE PLACES ±0.010 [±.25]</p>			4 OF 5		

CONTACT THE DOCUMENT CONTROL CENTER FOR THE LATEST REVISION.

PROVE