

# Safety Light Curtain

# F3SJ-A

## High-functional ADVANCED type supports finger protection and special applications.

- Detection capability supports finger protection.
- Equipped with wide variety of functions such as partial muting and blanking functions.
- The system status can be checked with PC tool.



## Ordering Information

### Main Units

#### Safety Light Curtain

Application	Detection capability	Beam gap	Operating range	Protective height (mm)	Model	
					PNP output	NPN output
Finger protection	Dia. 14 mm	9 mm	0.2 to 9 m	245 to 1,271	F3SJ-A□□□□P14 *2	F3SJ-A□□□□N14
Hand protection	Dia. 20 mm	15 mm	0.2 to 9 m	245 to 1,505	F3SJ-A□□□□P20 *2	F3SJ-A□□□□N20
Hand/arm protection	Dia. 30 mm	25 mm	0.2 to 9 m	245 to 1,620	F3SJ-A□□□□P30 *1	F3SJ-A□□□□N30
			0.2 to 7 m	1,745 to 2,495		
Leg/body protection, presence detection	Dia. 55 mm	50 mm	0.2 to 9 m	270 to 1,570	F3SJ-A□□□□P55 *1	F3SJ-A□□□□N55
			0.2 to 7 m	1,670 to 2,470		

**Note:** Connection cables are not included in the products. You must purchase optional connector cable.

\*1. Models with S-mark certification have an "-S" at the end of the model number.

Example: F3SJ-A0245P30-S

\*2. The F3SJ-A-□□□□-TS series with the suffix "-TS" are auto reset fixed models. Function settings using the setting console F39-MC21 or PC tool F39-GWUM for F3SJ cannot be performed.

(Models with detection capability 25 mm dia. are also available.)

## Safety Light Curtain Model List

## F3SJ-A14 Series (9 mm gap)

Model		Number of Beams	Protective Height (mm) *
PNP Output	NPN Output		
F3SJ-A0245P14	F3SJ-A0245N14	26	245
F3SJ-A0263P14	F3SJ-A0263N14	28	263
F3SJ-A0299P14	F3SJ-A0299N14	32	299
F3SJ-A0317P14	F3SJ-A0317N14	34	317
F3SJ-A0389P14	F3SJ-A0389N14	42	389
F3SJ-A0461P14	F3SJ-A0461N14	50	461
F3SJ-A0551P14	F3SJ-A0551N14	60	551
F3SJ-A0623P14	F3SJ-A0623N14	68	623
F3SJ-A0695P14	F3SJ-A0695N14	76	695
F3SJ-A0731P14	F3SJ-A0731N14	80	731
F3SJ-A0803P14	F3SJ-A0803N14	88	803
F3SJ-A0875P14	F3SJ-A0875N14	96	875
F3SJ-A0983P14	F3SJ-A0983N14	108	983
F3SJ-A1055P14	F3SJ-A1055N14	116	1,055
F3SJ-A1127P14	F3SJ-A1127N14	124	1,127
F3SJ-A1199P14	F3SJ-A1199N14	132	1,199
F3SJ-A1271P14	F3SJ-A1271N14	140	1,271

\* Protective Height (mm) = Total sensor length

## F3SJ-A20 Series (15 mm gap)

Model		Number of Beams	Protective Height (mm) *
PNP Output	NPN Output		
F3SJ-A0245P20	F3SJ-A0245N20	16	245
F3SJ-A0275P20	F3SJ-A0275N20	18	275
F3SJ-A0305P20	F3SJ-A0305N20	20	305
F3SJ-A0395P20	F3SJ-A0395N20	26	395
F3SJ-A0455P20	F3SJ-A0455N20	30	455
F3SJ-A0545P20	F3SJ-A0545N20	36	545
F3SJ-A0605P20	F3SJ-A0605N20	40	605
F3SJ-A0635P20	F3SJ-A0635N20	42	635
F3SJ-A0695P20	F3SJ-A0695N20	46	695
F3SJ-A0785P20	F3SJ-A0785N20	52	785
F3SJ-A0815P20	F3SJ-A0815N20	54	815
F3SJ-A0875P20	F3SJ-A0875N20	58	875
F3SJ-A0935P20	F3SJ-A0935N20	62	935
F3SJ-A1025P20	F3SJ-A1025N20	68	1,025
F3SJ-A1115P20	F3SJ-A1115N20	74	1,115
F3SJ-A1205P20	F3SJ-A1205N20	80	1,205
F3SJ-A1265P20	F3SJ-A1265N20	84	1,265
F3SJ-A1445P20	F3SJ-A1445N20	96	1,445
F3SJ-A1505P20	F3SJ-A1505N20	100	1,505

\* Protective Height (mm) = Total sensor length

## F3SJ-A30 Series (25 mm gap)

Model		Number of Beams	Protective Height (mm) *
PNP Output	NPN Output		
F3SJ-A0245P30	F3SJ-A0245N30	10	245
F3SJ-A0295P30	F3SJ-A0295N30	12	295
F3SJ-A0395P30	F3SJ-A0395N30	16	395
F3SJ-A0470P30	F3SJ-A0470N30	19	470
F3SJ-A0520P30	F3SJ-A0520N30	21	520
F3SJ-A0545P30	F3SJ-A0545N30	22	545
F3SJ-A0570P30	F3SJ-A0570N30	23	570
F3SJ-A0620P30	F3SJ-A0620N30	25	620
F3SJ-A0720P30	F3SJ-A0720N30	29	720
F3SJ-A0795P30	F3SJ-A0795N30	32	795
F3SJ-A0870P30	F3SJ-A0870N30	35	870
F3SJ-A0920P30	F3SJ-A0920N30	37	920
F3SJ-A0945P30	F3SJ-A0945N30	38	945
F3SJ-A0995P30	F3SJ-A0995N30	40	995
F3SJ-A1020P30	F3SJ-A1020N30	41	1,020
F3SJ-A1095P30	F3SJ-A1095N30	44	1,095
F3SJ-A1120P30	F3SJ-A1120N30	45	1,120
F3SJ-A1195P30	F3SJ-A1195N30	48	1,195
F3SJ-A1270P30	F3SJ-A1270N30	51	1,270
F3SJ-A1395P30	F3SJ-A1395N30	56	1,395
F3SJ-A1620P30	F3SJ-A1620N30	65	1,620
F3SJ-A1745P30	F3SJ-A1745N30	70	1,745
F3SJ-A1870P30	F3SJ-A1870N30	75	1,870
F3SJ-A1995P30	F3SJ-A1995N30	80	1,995
F3SJ-A2245P30	F3SJ-A2245N30	90	2,245
F3SJ-A2370P30	F3SJ-A2370N30	95	2,370
F3SJ-A2495P30	F3SJ-A2495N30	100	2,495

\* Protective Height (mm) = Total sensor length

## F3SJ-A55 Series (50 mm gap)

Model		Number of Beams	Protective Height (mm) *
PNP Output	NPN Output		
F3SJ-A0270P55	F3SJ-A0270N55	6	270
F3SJ-A0320P55	F3SJ-A0320N55	7	320
F3SJ-A0370P55	F3SJ-A0370N55	8	370
F3SJ-A0470P55	F3SJ-A0470N55	10	470
F3SJ-A0570P55	F3SJ-A0570N55	12	570
F3SJ-A0620P55	F3SJ-A0620N55	13	620
F3SJ-A0720P55	F3SJ-A0720N55	15	720
F3SJ-A0770P55	F3SJ-A0770N55	16	770
F3SJ-A0870P55	F3SJ-A0870N55	18	870
F3SJ-A0920P55	F3SJ-A0920N55	19	920
F3SJ-A0970P55	F3SJ-A0970N55	20	970
F3SJ-A1020P55	F3SJ-A1020N55	21	1,020
F3SJ-A1120P55	F3SJ-A1120N55	23	1,120
F3SJ-A1170P55	F3SJ-A1170N55	24	1,170
F3SJ-A1270P55	F3SJ-A1270N55	26	1,270
F3SJ-A1320P55	F3SJ-A1320N55	27	1,320
F3SJ-A1420P55	F3SJ-A1420N55	29	1,420
F3SJ-A1570P55	F3SJ-A1570N55	32	1,570
F3SJ-A1770P55	F3SJ-A1770N55	36	1,770
F3SJ-A1920P55	F3SJ-A1920N55	39	1,920
F3SJ-A2070P55	F3SJ-A2070N55	42	2,070
F3SJ-A2220P55	F3SJ-A2220N55	45	2,220
F3SJ-A2370P55	F3SJ-A2370N55	48	2,370
F3SJ-A2470P55	F3SJ-A2470N55	50	2,470

\* Protective Height (mm) = Total sensor length

## Accessories (Sold separately)

### Single-Ended Cable (2 cables per set, one for emitter and one for receiver) \*

For wiring with safety circuit such as single safety relay, safety relay unit, and safety controller

Appearance	Cable length	Specifications	Model
	3 m	M12 connector (8-pin)	F39-JD3A
	7 m		F39-JD7A
	10 m		F39-JD10A
	15 m		F39-JD15A
	20 m		F39-JD20A


\* The cable for emitter and the cable for receiver are available separately. Add '-L' for emitter or '-D' for receiver to the end of the model number when you order.  
Single-Ended Cable for Emitter: F39-JD□A-L, Single-Ended Cable for Receiver: F39-JD□A-D

**Note:** To extend the cable length to 20 m or more, add the F39-JD□B Double-Ended Cable.

Example: When using a cable of 30 m, connect the F39-JD10A Single-Ended Cable with the F39-JD20B Double-Ended Cable.

### Double-Ended Cable (2 cables per set, one for emitter and one for receiver) \*

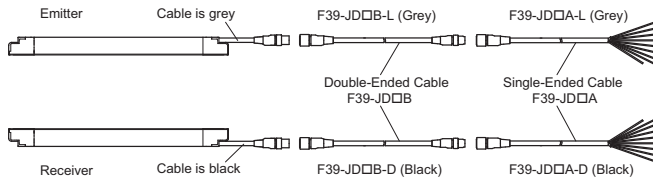
Control unit for connection with F3SP-B1P, to extend the length under series connection (\*)

Appearance	Cable length	Specifications	Model
	0.5 m	M12 connector (8-pin)	F39-JDR5B
	1 m		F39-JD1B
	3 m		F39-JD3B
	5 m		F39-JD5B
	7 m		F39-JD7B
	10 m		F39-JD10B
	15 m		F39-JD15B
	20 m		F39-JD20B


\* The cable for emitter and the cable for receiver are available separately. Add '-L' for emitter or '-D' for receiver to the end of the model number when you order.  
Double-Ended Cable for Emitter: F39-JD□B-L, Double-Ended Cable for Receiver: F39-JD□B-D

**Note:** To extend the cable length to 20 m or more, use the Double-Ended Cables in combination.

Example: When using a cable of 30 m, connect the F39-JD10B Double-Ended Cable with the F39-JD20B Double-Ended Cable.





### Power cable (included in the main unit. 2 cables per set, one for emitter and one for receiver)

Appearance	Cable Length	Model
	0.3 m	F39-JJR3K

**Note:** This product is for F3SJ-A only.

### Series-connection Cable (2 cables per set, for emitter and receiver)

Type	Appearance	Cable Length	Model	Application
Series connection cable		0.3 m	F39-JJR3W *1	For series connection *2 When using the Water-resistant Case. *3
Side-by-side Series connection cable		0.06 m	F39-JJR06L *1	Dedicated cable to materialize series connection with minimum length without connector cable of the main sensor unit
		0.15 m	F39-JJR15L *1	

\*1. This product is for F3SJ-A only.

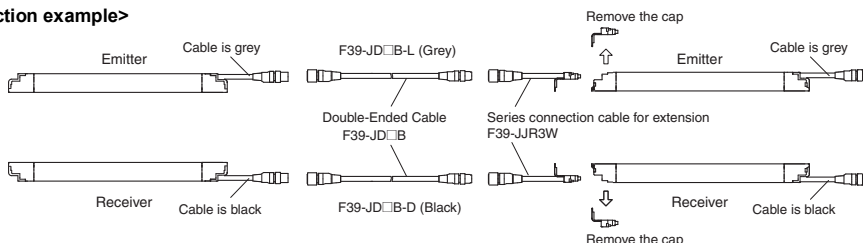
\*2. For series connection with minimum length, use F39-JJR06L or F39-JJR15L.

\*3. When using the F39-EJ□□□□-L/D Water-resistant Case in series connection configurations, use the special series connection cables for the Water-resistant Case. Refer to page 8 for details.

**Note:** The Double-Ended Cable (up to 15 m: F39-JD15B) can be added to extend the cable length between the series-connected sensors.


Cable length between sensors: 15 m max. (not including series connection cable (F39-JJR3W or F39-JJR□L) and power cable)

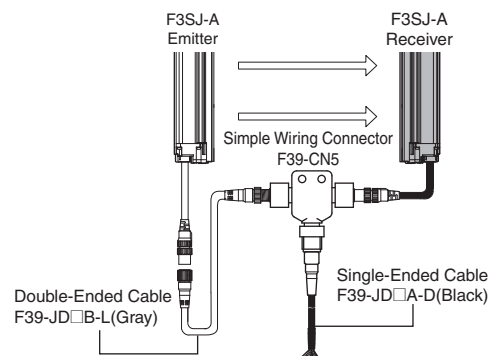
#### <Connection example>




## Simple wiring connector system (Order the F39-CN5 and Cables for Simple Wiring.)

### Simple wiring connector

Appearance	Model	Application
	F39-CN5	To reduce wiring



### Cable for simple wiring \* (2 cables per set, one double-ended cable and one single-ended cable)



Appearance	Contents		Cable length	Model
	Double-Ended Cable	F39-JD3B-L	3 m	F39-JD0303BA
	Single-Ended Cable	F39-JD3A-D	3 m	
	Double-Ended Cable	F39-JD3B-L	3 m	F39-JD0307BA
	Single-Ended Cable	F39-JD7A-D	7 m	
	Double-Ended Cable	F39-JD3B-L	3 m	F39-JD0310BA
	Single-Ended Cable	F39-JD10A-D	10 m	
	Double-Ended Cable	F39-JD5B-L	5 m	F39-JD0503BA
	Single-Ended Cable	F39-JD3A-D	3 m	
	Double-Ended Cable	F39-JD5B-L	5 m	F39-JD0507BA
	Single-Ended Cable	F39-JD7A-D	7 m	
	Double-Ended Cable	F39-JD5B-L	5 m	F39-JD0510BA
	Single-Ended Cable	F39-JD10A-D	10 m	
	Double-Ended Cable	F39-JD10B-L	10 m	F39-JD1003BA
	Single-Ended Cable	F39-JD3A-D	3 m	
	Double-Ended Cable	F39-JD10B-L	10 m	F39-JD1007BA
	Single-Ended Cable	F39-JD7A-D	7 m	
	Double-Ended Cable	F39-JD10B-L	10 m	F39-JD1010BA
	Single-Ended Cable	F39-JD10A-D	10 m	

**Note:** A double-ended cable and single-ended cable with other cable lengths than those listed above can also be used in combination. Please contact your OMRON sales representative for details.


\* Although the double-ended cable for the emitter is used for the emitter in the above figure, it can also be used for the receiver.

# F3SJ-A

## Relays with Forcibly Guided Contacts


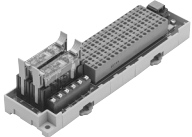
Type	Appearance	Specifications	Model	Remarks
G7SA Relays with Forcibly Guided Contacts		<ul style="list-style-type: none"> <li>Nodes: 4</li> <li>Contact type: 2A2B</li> <li>Rated switch load: 250 VAC 6 A, 30 VDC 6 A</li> </ul>	<b>G7SA-2A2B</b>	For details on other models or socket models, refer to the OMRON's website.
		<ul style="list-style-type: none"> <li>Nodes: 4</li> <li>Contact type: 3NO+1NC</li> <li>Rated switch load: 250 VAC 6 A, 30 VDC 6 A</li> </ul>	<b>G7SA-3A1B</b>	
G7S-□-E Relays with Forcibly Guided Contacts		<ul style="list-style-type: none"> <li>Nodes: 6</li> <li>Contact type: 4NO+2NC</li> <li>Rated switch load: 250 VAC 10 A, 30 VDC 10 A</li> </ul>	<b>G7S-4A2B-E</b>	For details on other models or socket models, refer to the OMRON's website.
		<ul style="list-style-type: none"> <li>Nodes: 6</li> <li>Contact type: 3NO+3NC</li> <li>Rated switch load: 250 VAC 10 A, 30 VDC 10 A</li> </ul>	<b>G7S-3A3B-E</b>	

## Control Unit (Can not be used as a muting system) (Dedicated PNP output type) \*

Appearance	Output	Model	Remarks
	Relay, 3NO+1NC	<b>F3SP-B1P *</b>	For connection with F3SJ-A, use a double-ended cable F39-JD□B.

\* F3SJ for NPN output type cannot be connected.


## Wire-saving Devices

Type	Appearance	Specifications	Model	Remarks
Connector Terminal Box/ Muting Terminals		Model with PNP Muting Sensor Output	<b>F39-TC5P01</b>	Significantly reduces amount of wiring between Safety Light Curtains and Muting Sensors. IP67 model for mounting at Sensor installation site. For details, refer to the OMRON's website.
		Model with PNP Override Input	<b>F39-TC5P02</b>	
		Model with NPN Muting Sensor Output	<b>F39-TC5N01</b>	
		Model with NPN Override Input	<b>F39-TC5N02</b>	
Safety Terminal Relays		PNP output relay, SPDT-NO	<b>F3SP-T01 *</b>	Significantly reduces amount of wiring between Safety Light Curtains and Muting Sensors. For details, refer to the OMRON's website.


\* F3SJ for NPN output type cannot be connected.

**Note:** Orders for F39-TC5 Series and F3SP-T01 have been discontinued at the end of May 2020.

## Laser Pointer


Appearance	Output	Model
	Laser Pointer for F3SJ	<b>F39-PTJ</b>

**Dedicated External Indicator Set (can be connected to either an emitter or a receiver)**

Appearance	Color	Model	Remarks
	Red	<b>F39-A01PR-PAC</b>	Indicator (red), mounting bracket 1 set, and dedicated connection cable (0.1 m)
	Green	<b>F39-A01PG-PAC</b>	Indicator (green), mounting bracket 1 set, and dedicated connection cable (0.1 m)
	Yellow	<b>F39-A01PY-PAC</b>	Indicator (yellow), mounting bracket 1 set, and dedicated connection cable (0.1 m)

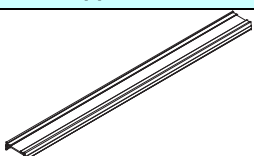
**Note:** 1. For indication timing (operation mode), see "Specifications" on page 9.  
 2. This product is for F3SJ-A only.

**General External Indicator Cable**

Appearance	Cable Length	Specifications	Model
	3 m	Cable to connect top of the main unit and an off-the-shelf external indicator (2-wire)	<b>F39-JJ3N *</b>

\* This product is for F3SJ-A only.


**Spatter Protection Cover (2 cables per set, one for emitter and one for receiver) (10% Operating Range Attenuation)**

Appearance	Model
	<b>F39-HJ□□□□</b> *1 *2

\*1. This product is for F3SJ-A only.

\*2. The same 4-digit numbers as the protective heights (□□□□ in the light curtain model names) are substituted by in the model names.

**Mirrors (12% Operating Range Attenuation)**

Appearance	Mirror material	Width (mm)	Thickness (mm)	Length L (mm)	Model	Remarks
	Glass mirror	145	32	445	<b>F39-MLG0406</b>	2 sets of cylinder mounting brackets and 4 screws are included.
				648	<b>F39-MLG0610</b>	
				749	<b>F39-MLG0711</b>	
				953	<b>F39-MLG0914</b>	
				1,105	<b>F39-MLG1067</b>	
				1,257	<b>F39-MLG1219</b>	
				1,499	<b>F39-MLG1422</b>	
				1,702	<b>F39-MLG1626</b>	
				1,905	<b>F39-MLG1830</b>	
				2,210	<b>F39-MLG2134</b>	

**Test rod (Sold separately)**

Diameter	Model
14mm dia.	<b>F39-TRD14</b>
20mm dia.	<b>F39-TRD20</b>
25mm dia.	<b>F39-TRD25</b>
30mm dia.	<b>F39-TRD30</b>

# F3SJ-A

## Sensor Mounting Brackets (Sold separately)

Appearance	Specifications	Model	Application	Remarks
	Standard mounting bracket (for top/bottom)	F39-LJ1	(provided with the F3SJ)	2 for an emitter, 2 for a receiver, total of 4 per set
	Flat side mounting bracket	F39-LJ2	Use these small-sized brackets when performing side mounting with standard mounting brackets, so that they do not protrude from the detection surface.	2 for an emitter, 2 for a receiver, total of 4 per set
	Free-location mounting bracket (also used as standard intermediate bracket)	F39-LJ3	Use these brackets for mounting on any place without using standard bracket.	Two brackets per set (For details about the number of required brackets, refer to page 89.)
	F3SN Intermediate Bracket Replacement Spacers	F39-LJ3-SN	When replacing the F3SN with the F3SJ, the mounting hole pitches in the Intermediate Brackets are not the same. This Spacer is placed between the mounting holes to mount the F3SJ.	1 set with 2 pieces
	Top/bottom bracket B (Mounting hole pitch 19 mm)	F39-LJ4	Mounting bracket used when replacing existing area sensors (other than F3SN or F3WN) with the F3SJ. For front mounting. Suitable for mounting hole pitch of 18 to 20 mm.	2 for an emitter, 2 for a receiver, total of 4 per set
	Bracket for replacing short-length F3SN	F39-LJ5	Mounting bracket used when an F3SN with protective height of 300 mm or less is replaced by an F3SJ.	2 for an emitter, 2 for a receiver, total of 4 per set
	Space-saving mounting bracket	F39-LJ8	Use these brackets to mount facing inward. Length is 12 mm shorter than the standard F39-LJ1 bracket.	2 for an emitter, 2 for a receiver, total of 4 per set
	Mounting bracket used when replacing an F3W-C.	F39-LJ9	Mounting bracket used when replacing existing F3W-C series area sensors with the F3SJ. For front mounting or side mounting. Mounting hole pitch 16 mm.	2 for an emitter, 2 for a receiver, total of 4 per set
	Top/bottom bracket C (mounting hole pitch 13 mm)	F39-LJ11	Mounting bracket used when replacing existing area sensors having a mounting pitch of 13 mm with the F3SJ.	2 for an emitter, 2 for a receiver, total of 4 per set

## End Cap

Appearance	Model	Remarks
	F39-CN9	For both emitter and receiver. * The End Cap can be purchased if lost. (Case: Black)

\* This product is for F3SJ-A only.



## Key Cap for Muting

Appearance	Model	Remarks
	F39-CN6	A cap to be attached to the main unit to enable muting function. * Attach it to either an emitter or a receiver. (Case: orange)

\* This product is for F3SJ-A only.





Setting Tools \*1

Type	Appearance	Model	Remarks
"SD Manager" Setting Support Software for the F3SJ		F39-GWUM *2	Accessories: SD Manager CD-ROM (1), F39-CN1 Branch Connector (1), Connector Cap (1), 2-m Dedicated Cable (1), 0.3-m Dedicated Cable with Plug (1), Instruction Manual
Setting Console		F39-MC21 *3	Accessories: F39-CN1 Branch Connector (1), Connector Cap (1), 2-m Dedicated Cable (1), 0.3-m Dedicated Cable with Plug (1), Instruction Manual




- \*1. The setting tools described above can be connected only to F3SJ-A models with built-in software of Ver. 2 or later.  
Note that the setting tools cannot be used with products shipped prior to December 2005.  
The setting tools cannot be used for setting parameters on the F3SJ-A□-TS series, but the monitoring function can be used.
- \*2. The PC tool supports Windows XP/7.
- \*3. This product is for use only with the F3SJ-A. It cannot be connected to conventional models of the F3SJ-E/B or F3SN-A series.

Protective Bar \*1 \*2

Type	Appearance	Model	Remarks
Protective Bar		F39-PJ□□□□-S *3	Main unit bracket (1), rear mounting brackets (2), including intermediate brackets to match protective height (0 to 2).
Intermediate brackets for side mounting		F39-PJ-MS	For side mounting, order to suit the desired protective height. Protective height of up to 1,000 mm: 0 intermediate brackets Protective height of 1,001 to 2,000 mm: 1 intermediate bracket Protective height of 2,001 mm or more: 2 intermediate brackets

- \*1. This product is for F3SJ-A only.
- \*2. When using for both emitter and receiver, order two sets.
- \*3. The same four digits indicating protective height that are used in the Sensor model number (□□□□) are used in the part of the Protector model number.

Water-resistant Case (Set of 1 tube, packing, and dedicated connector cable) \*1 \*2 \*3

Appearance	Specifications	Model	Remarks
	For emitter	F39-EJ□□□□-L *4	Includes gray cable for emitter.
	For receiver	F39-EJ□□□□-D *4	Includes black cable for receiver.
	Rear Mounting Brackets	F39-EJ-R *5	Top/bottom 1 each, total of 2
	Side Mounting Brackets	F39-EJ-S *5	Top/bottom 1 each, total of 2
---	Series connection cable (for emitter)	F39-JJR3WE-L	Purchase additionally for series connection when using the Water-resistant Case.
	Series connection cable (for receiver)	F39-JJR3WE-D	

- \*1. This product is for F3SJ-A only.
- \*2. When using for both emitter and receiver, order two sets.
- \*3. There are restrictions to the application conditions depending on the protective height of the Curtain. Refer to the Water-resistant Case on page 12.
- \*4. The same four digits indicating protective height that are used in the Sensor model number (□□□□) are used in the part of the Protector model number.
- \*5. Be sure to purchase brackets with the Case to match the mounting direction (rear or side).



# F3SJ-A

## Specifications (For details, refer to the instruction manual or User's manual.)

F3SJ-A□□□□P14/P20/P30/P55/N14/N20/N30/N55

Model	PNP Output	F3SJ-A□□□□P14	F3SJ-A□□□□P20	F3SJ-A□□□□P30	F3SJ-A□□□□P55
	NPN Output	F3SJ-A□□□□N14	F3SJ-A□□□□N20	F3SJ-A□□□□N30	F3SJ-A□□□□N55
<b>Sensor type</b>	Type 4 safety light curtain				
<b>Version</b>	Ver. 2				
<b>Setting tool connection</b>	Connectable				
<b>Safety category</b>	Safety purpose of category 4, 3, 2, 1, or B				
<b>Detection capability</b>	Opaque objects 14 mm in diameter	Opaque objects 20 mm in diameter	Opaque objects 30 mm in diameter	Opaque objects 55 mm in diameter	
<b>Beam gap (P)</b>	9 mm	15 mm	25 mm	50 mm	
<b>Number of beams (n)</b>	26 to 140	16 to 100	10 to 100	6 to 50	
<b>Protective height (PH)</b>	245 to 1,271 mm	245 to 1,505 mm	245 to 2,495 mm	270 to 2,470 mm	
<b>Lens diameter</b>	Diameter 5 mm				
<b>Operating range *</b>	0.2 to 9 m (protective height 1,640 mm max.), 0.2 to 7 m (protective height 1,655 mm min.) (Depending on the setting tool, the detection distance can be shortened to 0.5 m.)				
<b>Response time (under stable light incident condition) (For details, see "Response Time" on page 76.)</b>	<b>ON to OFF</b>	1 set, 0245 to 983: 11 ms to 17.5 ms max. 1,055 or higher: 20 ms to 25 ms max.	1 set, 0245 to 1205: 10 ms to 15 ms max. 1235 or higher: 17.5 ms to 22.5 ms max.	1 set: 10 ms to 17.5 ms max.	1 set: 10 ms to 13 ms max.
	<b>OFF to ON</b>	1 set, 0245 to 983: 44 ms to 70 ms max. 1,055 or higher: 80 ms to 100 ms max.	1 set, 0245 to 1205: 40 ms to 60 ms max. 1235 or higher: 70 ms to 90 ms max.	1 set: 40 ms to 70 ms max.	1 set: 40 ms to 52 ms max.
<b>Startup waiting time</b>	2 s max. (2.2 s max. for series connection)				
<b>Power supply voltage (Vs)</b>	24 VDC ±20% (ripple p-p10% max.)				
<b>Current consumption (no load)</b>	<b>Emitter</b>	To 50 beams: 76 mA max., 51 to 100 beams: 106 mA max., 101 to 150 beams: 130 mA max., 151 to 180 beams: 153 mA max., 201 to 234 beams: 165 mA max.			
	<b>Receiver</b>	To 50 beams: 68 mA max., 51 to 100 beams: 90 mA max., 101 to 150 beams: 111 mA max., 151 to 180 beams: 128 mA max., 201 to 234 beams: 142 mA max.			
<b>Light source (emitted wavelength)</b>	Infrared LED (870 nm)				
<b>Effective aperture angle (EAA)</b>	Based on IEC 61496-2. Within ±2.5° for both emitter and receiver when the detection distance is 3 m or over				
<b>Safety outputs (OSSD)</b>	<b>PNP outputs</b>	Two PNP transistor outputs, load current 300 mA max., residual voltage 2 V max. (except for voltage drop due to cable extension), allowable capacity load 2.2 μF, leak current 1 mA max. (This can be different from traditional logic (ON/OFF) because safety circuit is used.)			
	<b>NPN Output</b>	Two NPN transistor outputs, load current 300 mA max., residual voltage 2 V max. (except for voltage drop due to cable extension), allowable capacity load 2.2 μF, leak current 2mA max. (This can be different from traditional logic (ON/OFF) because safety circuit is used.)			
<b>Auxiliary output 1 (Non-safety output)</b>	<b>PNP outputs</b>	One PNP transistor output, load current 300 mA max., residual voltage 2 V max. (except for voltage drop due to cable extension), leak current 1 mA max.			
	<b>NPN output</b>	One NPN transistor output, load current 300 mA max., residual voltage 2 V max. (except for voltage drop due to cable extension), leak current 1 mA max.			
<b>Auxiliary output 2 (Non-safety output. Function for Basic System.)</b>	<b>PNP outputs</b>	One PNP transistor output, load current 50 mA max., residual voltage 2 V max. (except for voltage drop due to cable extension), leak current 1 mA max.			
	<b>NPN output</b>	One NPN transistor output, load current 50 mA max., residual voltage 2 V max. (except for voltage drop due to cable extension), leak current 1 mA max.			
<b>External indicator output (Non-safety output)</b>	Available indicators • Incandescent lamp: 24 VDC, 3 to 7 W • LED lamp: Load current 10 mA to 300 mA max., leak current 1 mA max. (To use an external indicator, an F39-JJ3N universal indicator cable or an F39-A01P-PAC dedicated external indicator kit is required.)				
<b>Output operation mode</b>	<b>Receiver</b>	Safety output 1, 2: ON when receiving light Auxiliary output 1: Inverse of safety output signals (Operation mode can be changed with the setting tool.) External indicator output 1: Inverse of safety output signals for a basic system (Operation mode can be changed with the setting tool.), ON when muting/override for a muting system (Operation mode can be changed with the setting tool.)			
	<b>Emitter</b>	Auxiliary output 2: Turns ON when the point of 30,000 operating hours is reached (Operation mode can be changed with the setting tool.) External indicator output 2: ON when lock-out for a basic system (Operation mode can be changed with the setting tool.) ON when muting/override for a muting system (Operation mode can be changed with the setting tool.)			

\* Use of the Spatter Protection Cover causes a 10% maximum sensing distance attenuation.

Model	PNP output	F3SJ-A□□□□P14	F3SJ-A□□□□P20	F3SJ-A□□□□P30	F3SJ-A□□□□P55
	NPN output	F3SJ-A□□□□N14	F3SJ-A□□□□N20	F3SJ-A□□□□N30	F3SJ-A□□□□N55
Input voltage	PNP output	Test input, Interlock select input, Reset input, Muting input: ON voltage: 9 V to Vs (short circuit current: approx. 2.0 mA), OFF voltage: 0 to 1.5 V, or open External device monitoring input: ON voltage: 9 V to Vs (short circuit current: approx. 3.5 mA), OFF voltage: open <b>Note:</b> The Vs indicates a voltage value in your environment.			
	NPN output	Test input, Interlock select input, Reset input, Muting input: ON voltage: 0 to 1.5 V (short-circuit current: approx. 1.5 mA), OFF voltage: 9 V to Vs, or open External device monitoring input: ON voltage: 0 to 1.5 V (short-circuit current: approx. 4.0 mA), OFF voltage: open <b>Note:</b> The Vs indicates a voltage value in your environment.			
Indicator	Emitter	Light intensity level indicators (green LED x 2, orange LED x 3): ON based on the light intensity Error mode indicators (red LED x 3): Blink to indicate error details Power indicator (green LED x 1): ON while power is on Interlock indicator (yellow LED x 1): ON while under interlock, blinks at lockout. External device monitoring indicator (muting input 1 indicator), Blanking/test indicator (muting input 2 indicator) (green LED x 2): ON/flash according to function			
	Receiver	Light intensity level indicators (green LED x 2, orange LED x 3): ON based on the light intensity Error mode indicators (red LED x 3): Blink to indicate error details OFF output indicator (red LED x 1): ON when safety output is OFF, blinks at lockout. ON output indicator (green LED x 1): ON while safety output is ON Muting error indicator, Blanking /test indicator (green LED x 2): ON/flash according to function			
Mutual interference prevention function	Interference light prevention algorithm, sensing distance change function				
Series connection	Time division emission by series connection • Number of connections: up to 4 sets (F3SJ-A only) F3SJ-E, F3SJ-B and F3SJ-TS cannot be connected. • Total number of beams: up to 400 beams • Cable length between sensors: 15 m max. (not including series connection cable (F39-JJR3W or F39-JJR□L) and power cable) • Response time under connection: Refer to page 76				
Test function	• Self test (at power-ON and at power distribution) • External test (emission stop function by test input)				
Safety-related functions	• Start interlock, restart interlock (Must be set with a setting tool when the muting function is used.) • External device monitor • Muting (Lamp burnout detection, override function included. F39-CN6 key cap for muting is required.) • Fixed blanking (must be set by a setting tool) • Floating blanking (must be set by a setting tool)				
Connection method	Connector method (M12, 8-pin)				
Protection circuit	Output short-circuit protection, and power supply reverse polarity protection				
Ambient temperature	Operating: -10 to 55°C (no icing), Storage: -30 to 70°C				
Ambient humidity	Operating: 35% to 85% (no condensation), Storage: 35% to 95%				
Operating ambient light intensity	Incandescent lamp: receiving-surface light intensity of 3,000 lx max., Sunlight: receiving-surface light intensity of 10,000 lx max.				
Insulation resistance	20 MΩ min. (at 500 VDC)				
Withstand voltage	1,000 VAC 50/60 Hz, 1 min				
Degree of protection	IP65 (IEC 60529)				
Vibration resistance	Malfunction: 10 to 55 Hz, Multiple amplitude of 0.7 mm, 20 sweeps in X, Y, and Z directions				
Shock resistance	Malfunction: 100 m/s <sup>2</sup> , 1,000 times each in X, Y, and Z directions				
Material	Casing (including metal parts on both ends): Aluminum, zinc die-cast Cap: ABS resin, Optical cover: PMMA resin (acrylic), Cable: Oil resistant PVC				
Net Weight *1	Calculate using the following expressions: (1) For F3SJ-A□□□□□14, weight (g) = (protective height) x 1.67 + 215 (2) For F3SJ-A□□□□□20, weight (g) = (protective height) x 1.5 + 217 (3) For F3SJ-A□□□□□30, weight (g) = (protective height) x 1.41 + 220 (4) For F3SJ-A□□□□□55, weight (g) = (protective height) x 1.3 + 220				
Gross Weight *1	Calculate using the following expressions: (1) For F3SJ-A□□□□□14, weight (g) = (protective height) x 1.7 + α (2) For F3SJ-A□□□□□20/F3SJ-A□□□□□30, weight (g) = (protective height) x 1.5 + α (3) For F3SJ-A□□□□□55, weight (g) = (protective height) x 1.4 + α The values for α are as follows: Protected height 245 to 596 mm: = 1,100    protected height 1,660 to 2,180 mm: = 2,400 Protected height 600 to 1,130 mm: = 1,500    protected height 2,195 to 2,500 mm: = 2,600 Protected height 1,136 to 1,658 mm: = 2,000				

\*1. The net weight is the weight of an emitter and a receiver.

\*2. The gross weight is the weight of an emitter, a receiver, included accessories and a package.

# F3SJ-A

Model	PNP output	F3SJ-A□□□□P14	F3SJ-A□□□□P20	F3SJ-A□□□□P30	F3SJ-A□□□□P55
	NPN output	F3SJ-A□□□□N14	F3SJ-A□□□□N20	F3SJ-A□□□□N30	F3SJ-A□□□□N55
<b>Accessories</b>	Instruction manual, standard mounting bracket (F39-LJ1 bracket for top/bottom mounting), mounting brackets (intermediate) (*), error mode label, Quick Installation Manual (QIM) *. Number of intermediate brackets depends on protective height of F3SJ. • For protective height from 600 to 1,130 mm : 1 set for each of the emitter and receiver is included • For protective height from 1,136 to 1,658 mm : 2 sets for each of the emitter and receiver are included • For protective height from 1,660 to 2,180 mm : 3 sets for each of the emitter and receiver are included • For protective height from 2,195 to 2,500 mm : 4 sets for each of the emitter and receiver are included				
<b>Applicable standards *</b>	IEC 61496-1, EN 61496-1, UL 61496-1, Type 4 ESPE (Electro-Sensitive Protective Equipment) IEC 61496-2, EN 61496-2, UL 61496-2, Type 4 AOPD (Active Opto-electronic Protective Devices) IEC 61508-1 to -3, EN 61508-1 to -3 SIL3 ISO 13849-1: 2015, EN ISO 13849-1: 2015 (PLe/Safety Category 4) UL 508, UL 1998, CAN/CSA C22.2 No.14, CAN/CSA C22.2 No.0.8				

\* Refer to Safety Precautions for information about Legislation and Standards.

## Response Time

Model	Protected Height (mm)	Number of Beams	Response time ms (ON to OFF)	Response time ms (OFF to ON)
<b>F3SJ-A□14 Series</b>	245 to 263	26 to 28	11	44
	281 to 389	30 to 42	12	48
	407 to 497	44 to 54	13	52
	515 to 605	56 to 66	14	56
	623 to 731	68 to 80	15	60
	767 to 983	84 to 108	17.5	70
	1,055 to 1,271	116 to 140	20	80
<b>F3SJ-A□20 Series</b>	245	16	10	40
	275 to 425	18 to 28	11	44
	455 to 635	30 to 42	12	48
	665 to 815	44 to 54	13	52
	845 to 995	56 to 66	14	56
	1,025 to 1,205	68 to 80	15	60
	1,235 to 1,505	82 to 100	17.5	70
<b>F3SJ-A□30 Series</b>	245 to 395	10 to 16	10	40
	420 to 720	17 to 29	11	44
	745 to 1,045	30 to 42	12	48
	1,070 to 1,295	43 to 52	13	52
	1,395 to 1,620	56 to 65	14	56
	1,745 to 1,995	70 to 80	15	60
	2,120 to 2,495	85 to 100	17.5	70
<b>F3SJ-A□55 Series</b>	270 to 770	6 to 16	10	40
	820 to 1,420	17 to 29	11	44
	1,470 to 2,070	30 to 42	12	48
	2,120 to 2,470	43 to 50	13	52

**Note:** Use the following expressions for series connection.

For 2-set series connection:

Response time (ON to OFF): Response time of the 1st unit + Response time of the 2nd unit - 1 (ms), Response time (OFF to ON): Response time calculated by the above x 4 (ms)

For 3-set series connection:

Response time (ON to OFF):

Response time of the 1st unit + Response time of the 2nd unit + Response time of 3rd unit - 5 (ms), Response time (OFF to ON): Response time calculated by the above x 5 (ms)  
 (For models with the "-TS" suffix, multiply the response time obtained by the above x 5 (ms), or use 200 ms, whichever is less.)

For 4-set series connection:

Response time (ON to OFF): Response time of the 1st unit + Response time of the 2nd unit + Response time of the 3rd unit + Response time of the 4th unit - 8 (ms)

Response time (OFF to ON): Response time calculated by the above x 5 (ms)

## Cable Extension Length

Total cable extension length must be no greater than the lengths described below.

**When the F3SJ and an external power supply are directly connected, or when the F3SJ is connected to a G9SA-300-SC.**

Condition	1 set	2 sets	3 sets	4 sets
Using incandescent lamp for auxiliary output and external indicator output	45 m	40 m	30 m	20 m
Not using incandescent lamp *	100 m	60 m	45 m	30 m

**When connected to the F3SP-B1P**

Condition	1 set	2 sets	3 sets	4 sets
Using incandescent lamp for external indicator output 2	40 m	30 m	25 m	20 m
Using incandescent lamp for external indicator output 1	60 m	45 m	30 m	20 m
Using incandescent lamp for auxiliary output 1				
Not using incandescent lamp *	100 m	60 m	45 m	30 m

**Note:** Keep the cable length within the rated length. Failure to do so is dangerous as it may prevent safety functions from operating normally.

\* The F39-A01P□-PAC Dedicated External Indicator Set uses LEDs. Refer to the cable extension lengths for "Not using incandescent lamp".

## Accessories

### Control Unit

Item	Model	F3SP-B1P
Applicable sensor		F3SJ-B/A (Only for PNP output type) *
Power supply voltage		24 VDC±10%
Power consumption		DC1.7 W max. (not including sensor's current consumption)
Operation time		100 ms max. (not including sensor's response time)
Response time		10 ms max. (not including sensor's response time)
Relay output	Number of contacts	3NO+1NC
	Rated load	25 VAC 5 A (cos φ = 1), 30 VDC 5 A L/R = 0 ms
	Rated current	5 A
Connection type	Between sensors	M12 connector (8-pin)
	Others	Terminal block
Weight (packed state)		Approx. 280 g
Accessories		Instruction manual

\* NPN output type cannot be connected. Also, the system cannot be used as a muting system.

### Laser Pointer

Item	Model	F39-PTJ
Applicable sensor		F3SJ Series
Power supply voltage		4.65 or 4.5 VDC
Battery		Three button batteries (SR44 or LR44)
Battery life *		SR44: 10 hours of continuous operation, LR44: 6 hours of continuous operation
Light source		Red semiconductor laser (wavelength: 650 nm, 1 mW max. JIS class 2, EN/IEC class 2, FDA class II)
Spot diameter (typical value)		6.5 mm at 10 m
Ambient temperature		Operating: 0 to 40°C Storage: -15 to 60°C (with no icing or condensation)
Ambient humidity		Operating and storage: 35% to 85% (with no condensation)
Material		Laser module case: aluminum Mounting bracket: aluminum and stainless
Weight		Approx. 220 g (packed)
Accessories		Laser safety standard labels (EN: 1, FDA: 3) Button batteries (SR44: 3), instruction manual

\* Battery life varies depending on a battery used.

### Dedicated External Indicator Set

Item	Model	F39-A01PR-PAC	F39-A01PG-PAC	F39-A01PY-PAC
Applicable sensor		F3SJ-A (Common for PNP/NPN output type. Can be attached to emitters and/or receivers)		
Light source		Red LED	Green LED	Yellow LED
Power supply voltage		24 VDC±10% (supplied by sensor)		
Consumption current		50 mA max. (supplied by sensor)		
Connection type		Dedicated accessory connector cable (Sensor side: Dedicated 10-pin connector, Indicator side: M12 8-pin connector)		
Set details		Indicator (red), Dedicated connector cable (0.1 m), Dedicated mounting bracket (1 for each)	Indicator (green), Dedicated connector cable (0.1 m), Dedicated mounting bracket (1 for each)	Indicator (yellow), Dedicated connector cable (0.1 m), Dedicated mounting bracket (1 for each)

### Water-resistant Case

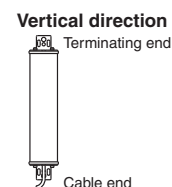
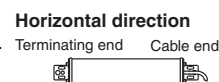
Item	Model	F39-EJ□□□□-L, F39-EJ□□□□-D
Applicable sensor		F3SJ-A Series Curtains with a protective height of 600 mm or shorter.
Ambient temperature		-10 to 55°C (operation and storage)
Mounting direction		No restrictions
Operating range		0.2 to 7 m (for a protective height of 1,631 mm max.), 0.2 to 5 m (for a protective height of 1,655 mm min.)
Degree of protection		IP67 (IEC 60529) (When assembled according to the application precautions)
Material		Case: Acrylic resin, Rubber: Nitrile rubber, M5 bolt: SUSXM7, M4 bolt: SUS316L, Cable: Oil-resistant PVC, Plate: SUS304, Mounting Bracket (optional): SUS304
Weight (packed state)		Calculation formula: Weight (g) = 1.5 x □□□□ + 300 (□□□□ stands for the four digits of the model number (protective height)) (The optional Mounting Brackets come in a set of two, and weigh 120 g. This weight is not included in the above formula.)

**Note:** 1. Vibration  
When using Curtains with a protective height of 605 mm or more, the vibration performance of the applicable sensor is reduced. Do not use these Curtains in locations that are subject to vibration.

2. Operating range  
When using these cases, the operating range of the applicable sensor is reduced. Check the specifications prior to use.

3. Mounting direction  
When using Curtains with a protective height of 605 mm or more, some slackness occurs due to the weight of the Curtain. For this reason, mount these Curtains only in the vertical direction.

**Mounting direction (the cable end and terminating end can be positioned in either direction)**



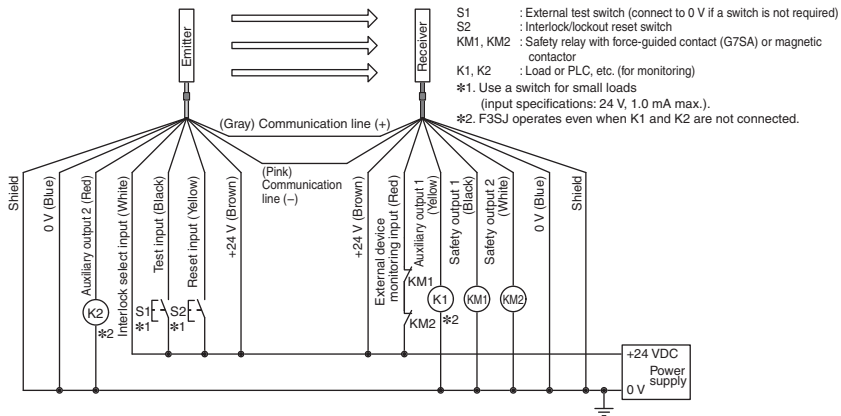
# F3SJ-A

## Connections

### Basic Wiring Diagram

#### [PNP Output]

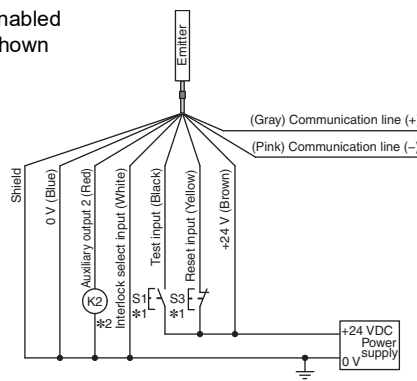
##### Wiring when using manual reset mode, external device monitoring



##### Wiring for auto reset mode

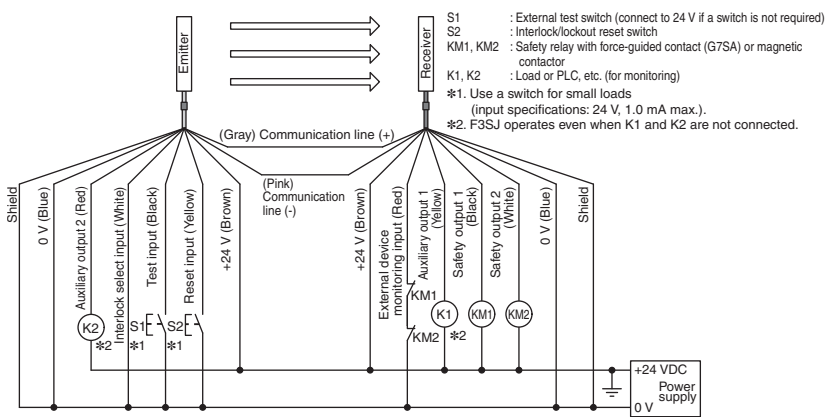
- The auto reset mode will be enabled when the emitter is wired as shown below.

- S1 : External test switch (connect to 0 V if a switch is not required)  
 S3 : Lockout reset switch (connect to 24 V if a switch is not required)  
 K2 : Load or PLC, etc. (for monitoring)  
 \*1. Use a switch for small loads (input specifications: 24 V, 1.0 mA max.).  
 \*2. F3SJ operates even when K2 is not connected.



#### [NPN Output]

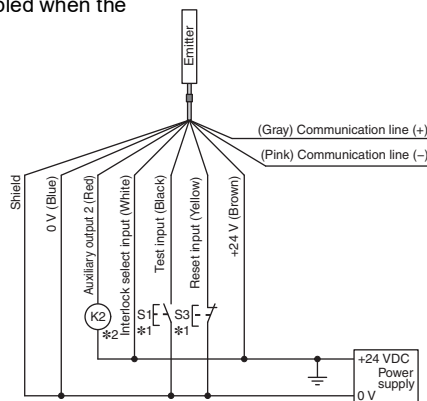
##### Wiring when using manual reset mode, external device monitoring



##### Wiring for auto reset mode

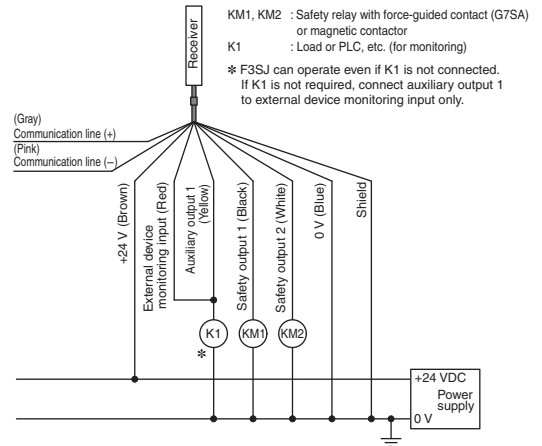
- The auto reset mode will be enabled when the emitter is wired as shown below.

- S1 : External test switch (connect to 24 V if a switch is not required)  
 S3 : Lockout reset switch (connect to 0 V if a switch is not required)  
 K2 : Load or PLC, etc. (for monitoring)  
 \*1. Use a switch for small loads (input specifications: 24 V, 1.0 mA max.).  
 \*2. F3SJ operates even when K2 is not connected.



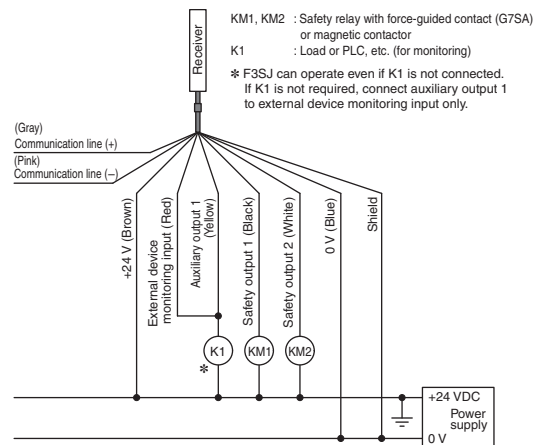
##### Wiring when the external device monitoring function will not be used

- Use a setting tool to set the external device monitoring function to "Disabled."
- When using an auxiliary output 1 that has not been changed (output operation mode is "Safety Output Information," and reverse output mode is "Enabled"), the external device monitoring function will be disabled when auxiliary output 1 and the external device monitoring input are connected as shown below.



##### Wiring when the external device monitoring function will not be used

- Use a setting tool to set the external device monitoring function to "Disabled."
- When using an auxiliary output 1 that has not been changed (output operation mode is "Safety Output Information," and reverse output mode is "Enabled"), the external device monitoring function will be disabled when auxiliary output 1 and the external device monitoring input are connected as shown below.

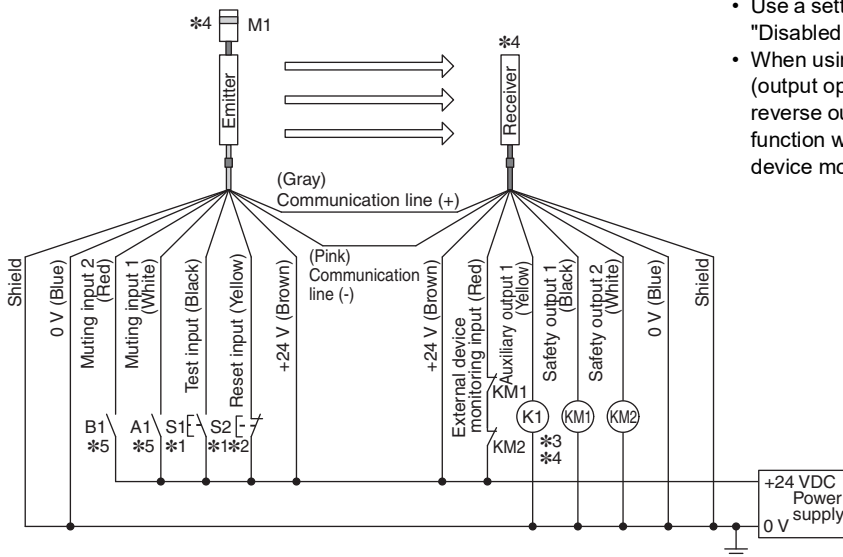




## Basic Wiring Diagram for Muting System

### [PNP Output]

Wiring when using muting and external device monitoring functions



- S1 : External test switch (connect to 0 V if a switch is not required)
- S2 : Lockout reset switch (connect to 24 V if a switch is not required)
- A1 : Contact by muting sensor A1
- B1 : Contact by muting sensor B1
- KM1, KM2 : Safety relay with force-guided contact (G7SA) or magnetic contactor
- K1 : Load or PLC, etc. (for monitoring)
- M1 : Muting lamp

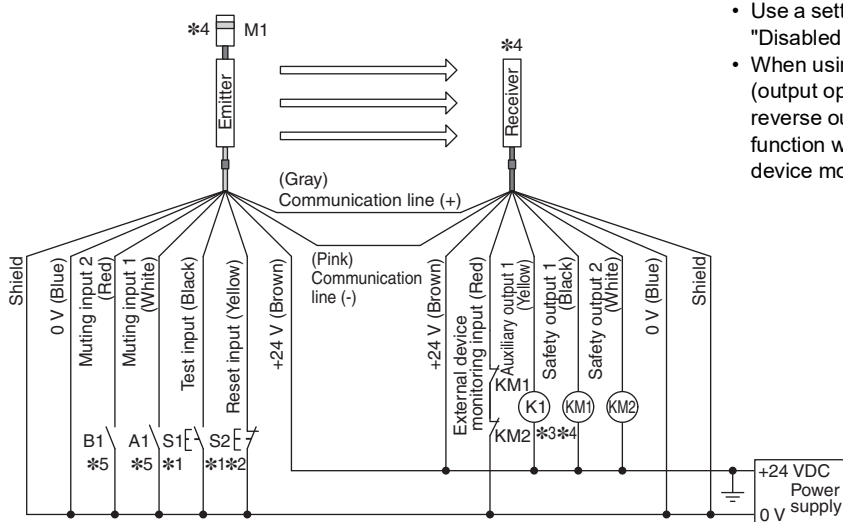
- \*1. Use a switch for small loads (input specifications: 24 V, 1.0 mA max.).
- \*2. When using the interlock function, this also functions as an interlock reset switch. (Must be set with a setting tool.)
- \*3. F3SJ operates even when K1 is not connected.
- \*4. Connect the muting lamp to either the external indicator output or auxiliary output 1 for the emitter or the receiver. When connecting the muting lamp to auxiliary output 1, the parameter must be changed with a setting tool.
- \*5. Two-wire type muting sensor cannot be used.

When external device monitoring function is not required

- Use a setting tool to set the external device monitoring function to "Disabled."
- When using an auxiliary output 1 that has not been changed (output operation mode is "Safety Output Information," and reverse output mode is "Enabled"), the external device monitoring function will be disabled when auxiliary output 1 and the external device monitoring input are connected.

### [NPN Output]

Wiring when using muting and external device monitoring functions



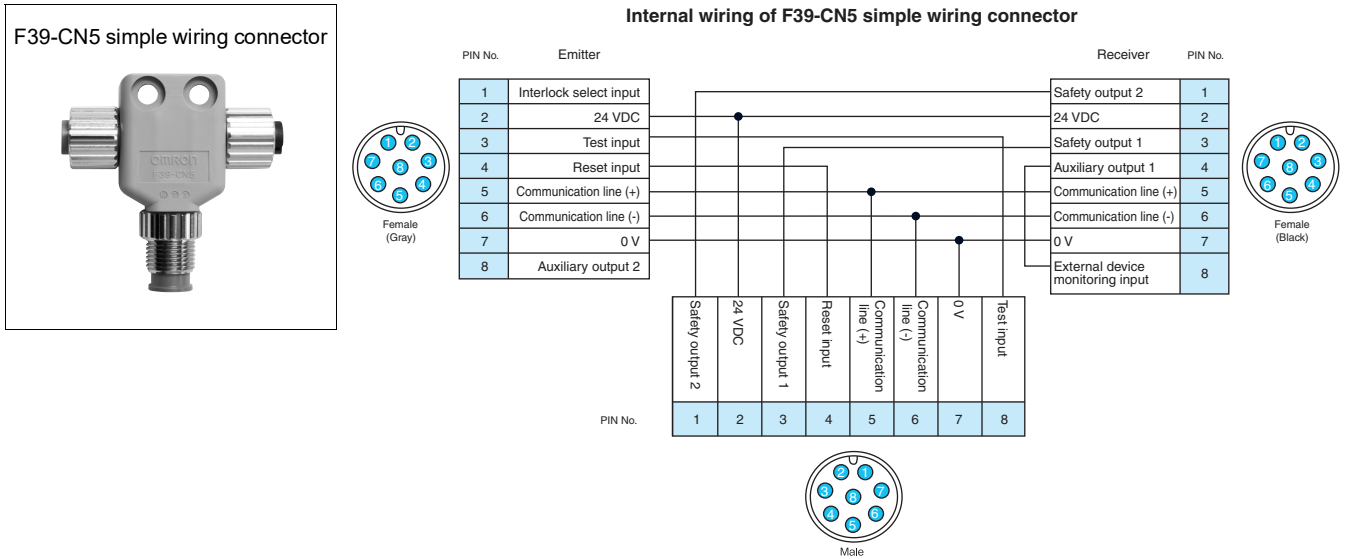
- S1 : External test switch (connect to 24 V if a switch is not required)
- S2 : Lockout reset switch (connect to 0 V if a switch is not required)
- A1 : Contact by muting sensor A1
- B1 : Contact by muting sensor B1
- KM1, KM2 : Safety relay with force-guided contact (G7SA) or magnetic contactor
- K1 : Load or PLC, etc. (for monitoring)
- M1 : Muting lamp

- \*1. Use a switch for small loads (input specifications: 24 V, 1.0 mA max.).
- \*2. When using the interlock function, this also functions as an interlock reset switch. (Must be set with a setting tool.)
- \*3. F3SJ operates even when K1 is not connected.
- \*4. Connect the muting lamp to either the external indicator output or auxiliary output 1 for the emitter or the receiver. When connecting the muting lamp to auxiliary output 1, the parameter must be changed with a setting tool.
- \*5. Two-wire type muting sensor cannot be used.

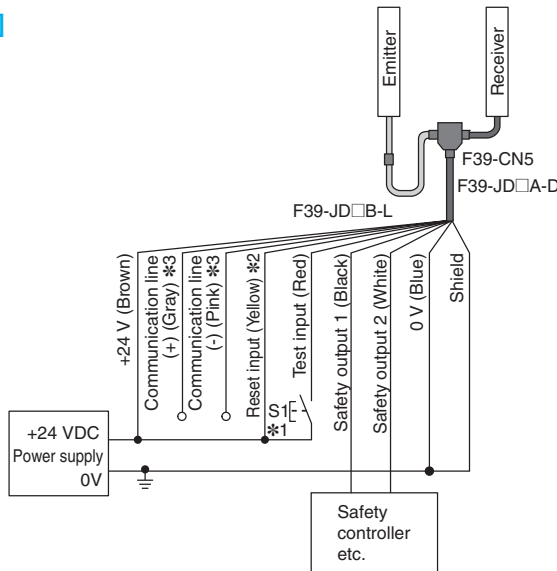
When external device monitoring function is not required

- Use a setting tool to set the external device monitoring function to "Disabled."
- When using an auxiliary output 1 that has not been changed (output operation mode is "Safety Output Information," and reverse output mode is "Enabled"), the external device monitoring function will be disabled when auxiliary output 1 and the external device monitoring input are connected.

## Wiring Diagram When Using Simple Wiring System



### [PNP Output]

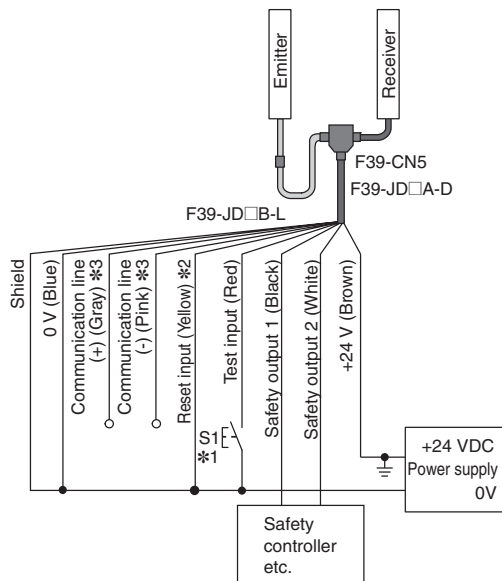


- S1 : External test switch (connect 0 V if a switch is not required)
- \*1. Use a switch for small loads (input specifications: 24 V, 1.0 mA max.).
  - \*2. When the lockout reset function is used, connect to 24 V via a lockout reset switch (N.C. contact).
  - \*3. Make sure the Communication lines are insulated. If the lines are shorted, the F3SJ-A enters the lockout state.

Controllers connectable with PNP output F3SJ series

Safety controller	Model
Safety Network Controller	NE1A series
Safety Controller	G9SP series
Flexible Safety Unit	G9SX series
Safety Relay Unit	G9SA series

### [NPN Output]



- S1 : External test switch (connect 24 V if a switch is not required)
- \*1. Use a switch for small loads (input specifications: 24 V, 1.0 mA max.).
  - \*2. When the lockout reset function is used, connect to 0 V via a lockout reset switch (N.C. contact).
  - \*3. Make sure the Communication lines are insulated. If the lines are shorted, the F3SJ-A enters the lockout state.

Controller connectable with NPN output F3SJ series

Safety controller	Model
Safety Relay Unit	G9SA-301-P

**Note:** When using the Simple Wiring Connector (F39-CN5), the following functions are not available.

- Manual Reset
- External Device Monitoring
- Auxiliary Outputs 1, 2
- Muting/Override

When using the setting tools, make sure to keep the settings in the factory default.

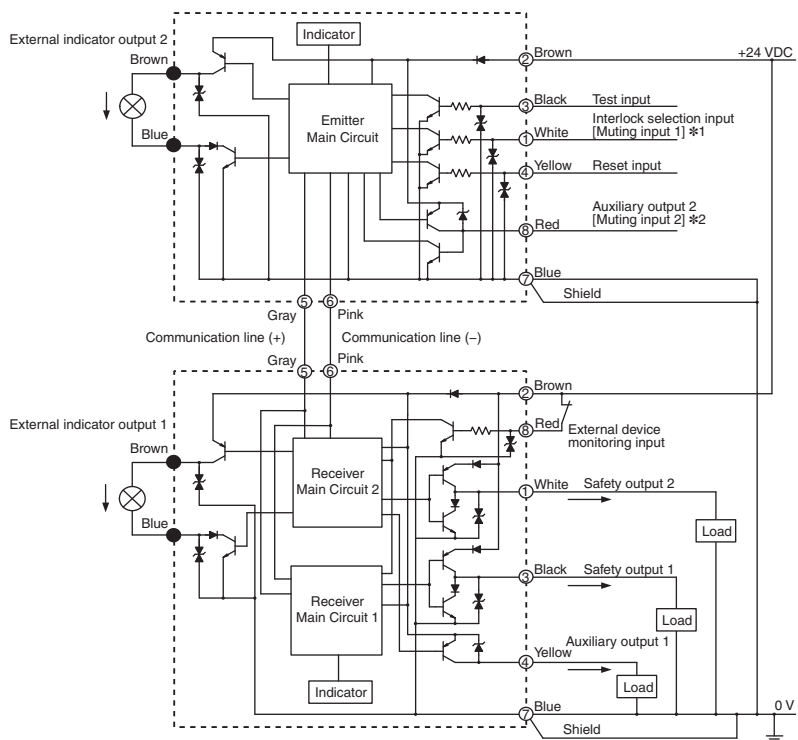


# Input/Output Circuit Diagram

## Entire Circuit Diagram

### [PNP Output]

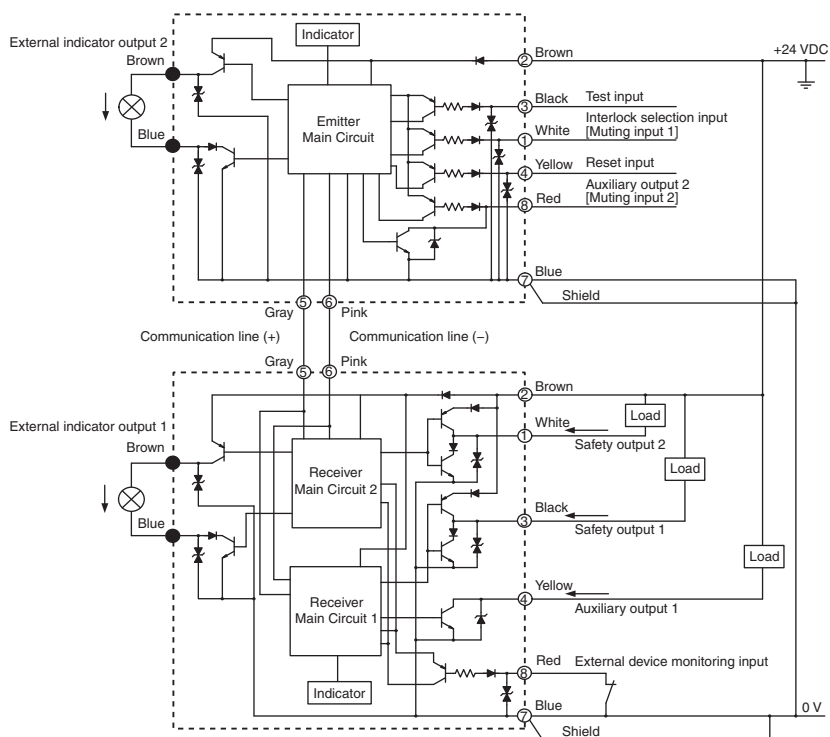
The numbers in circles indicate the connectors' pin numbers.  
 The black circles indicate connectors for series connection.  
 The words in brackets ([ ]) indicate the signal name for muting system.



- \*1. Open or muting input 1 for models with the "-TS" suffix.
- \*2. Open or muting input 2 for models with the "-TS" suffix.

### [NPN Output]

The numbers in circles indicate the connectors' pin numbers.  
 The black circles indicate connectors for series connection.  
 The words in brackets ([ ]) indicate the signal name for muting system.



# F3SJ-A

## Connection Circuit Examples

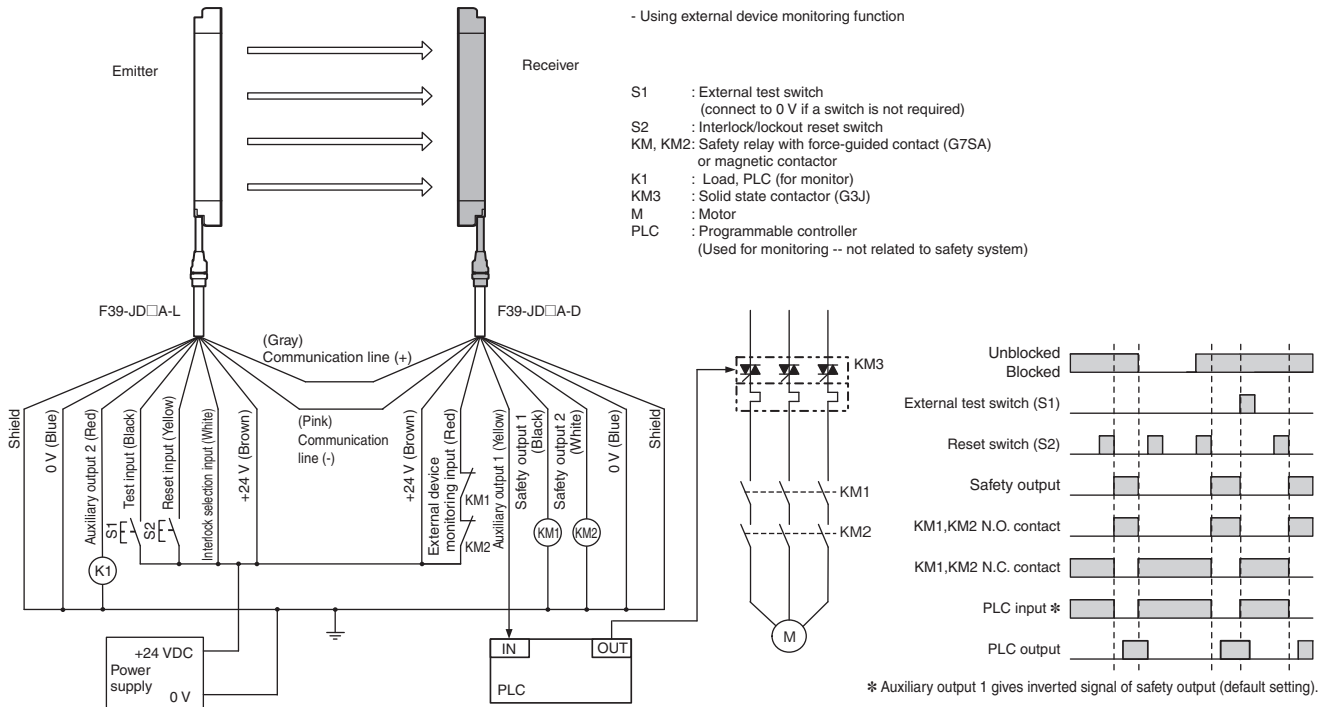
### Wiring for single F3SJ-A application [PNP Output]

Highest achievable PL/ safety category	Model	Stop category	Reset
PLe/4 equivalent	Safety Light Curtain F3SJ-A□□□□P□□ Safety Relay G7SA	0	Manual

**Note:** The above PL is only the evaluation result of the example. The PL must be evaluated in an actual application by the customer after confirming the usage conditions.

#### ● Application Overview

- The power supply to the motor M is turned OFF when the beam is blocked.
- The power supply to the motor M is kept OFF until the beams are unblocked and the reset switch S2 is pressed.



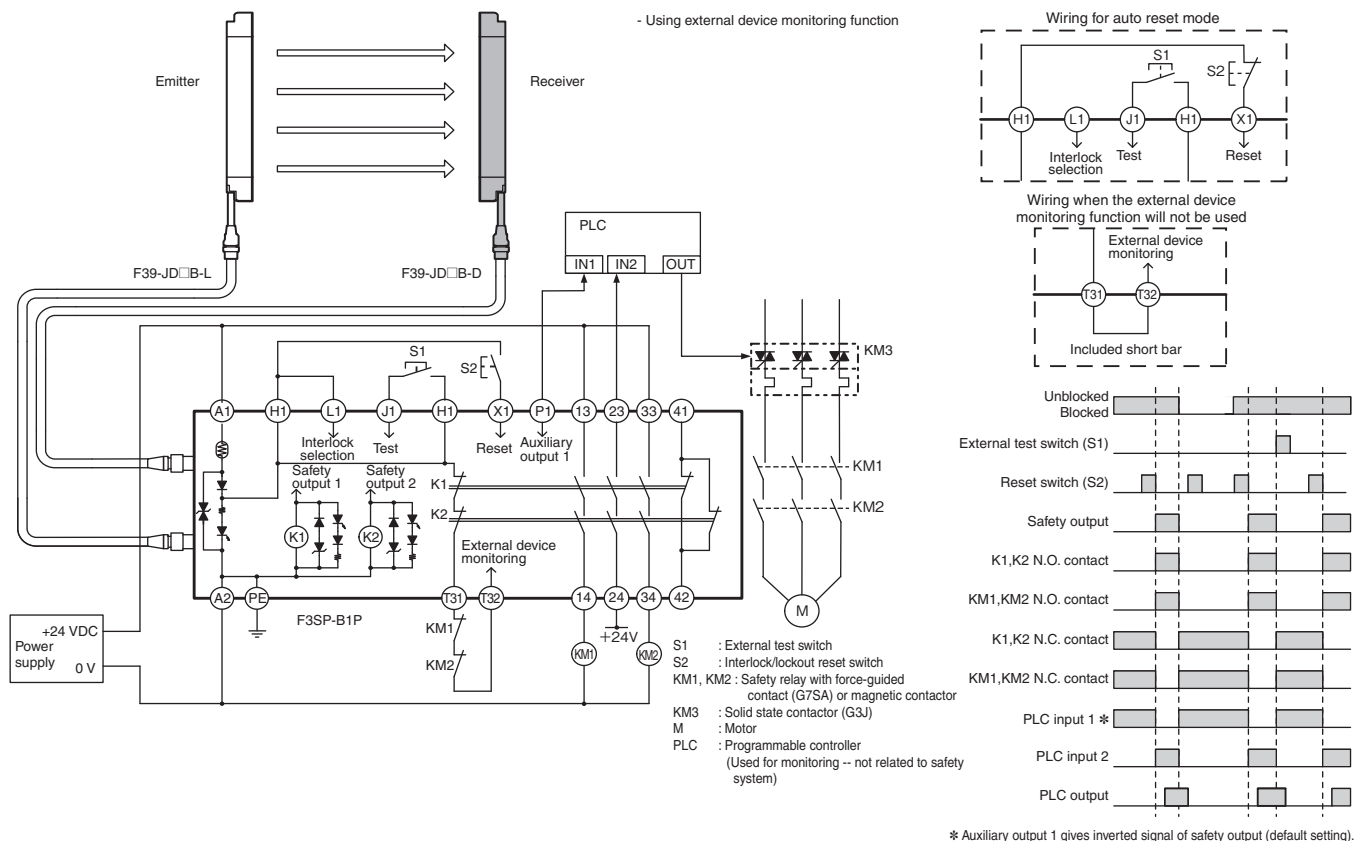
Wiring for connection with a controller F3SP-B1P [PNP Output]

Highest achievable PL/ safety category	Model	Stop category	Reset
PLe/4 equivalent	Safety Light Curtain F3SJ-A□□□□P□□ Control Unit F3SP-B1P Safety Relay G7SA	0	Manual

**Note:** The above PL is only the evaluation result of the example. The PL must be evaluated in an actual application by the customer after confirming the usage conditions.

● Application Overview

- The power supply to the motor M is turned OFF when the beam is blocked.
- The power supply to the motor M is kept OFF until the beams are unblocked and the reset switch S2 is pressed.



**Note:** It cannot be used as a muting system when F3SP-B1P is used.

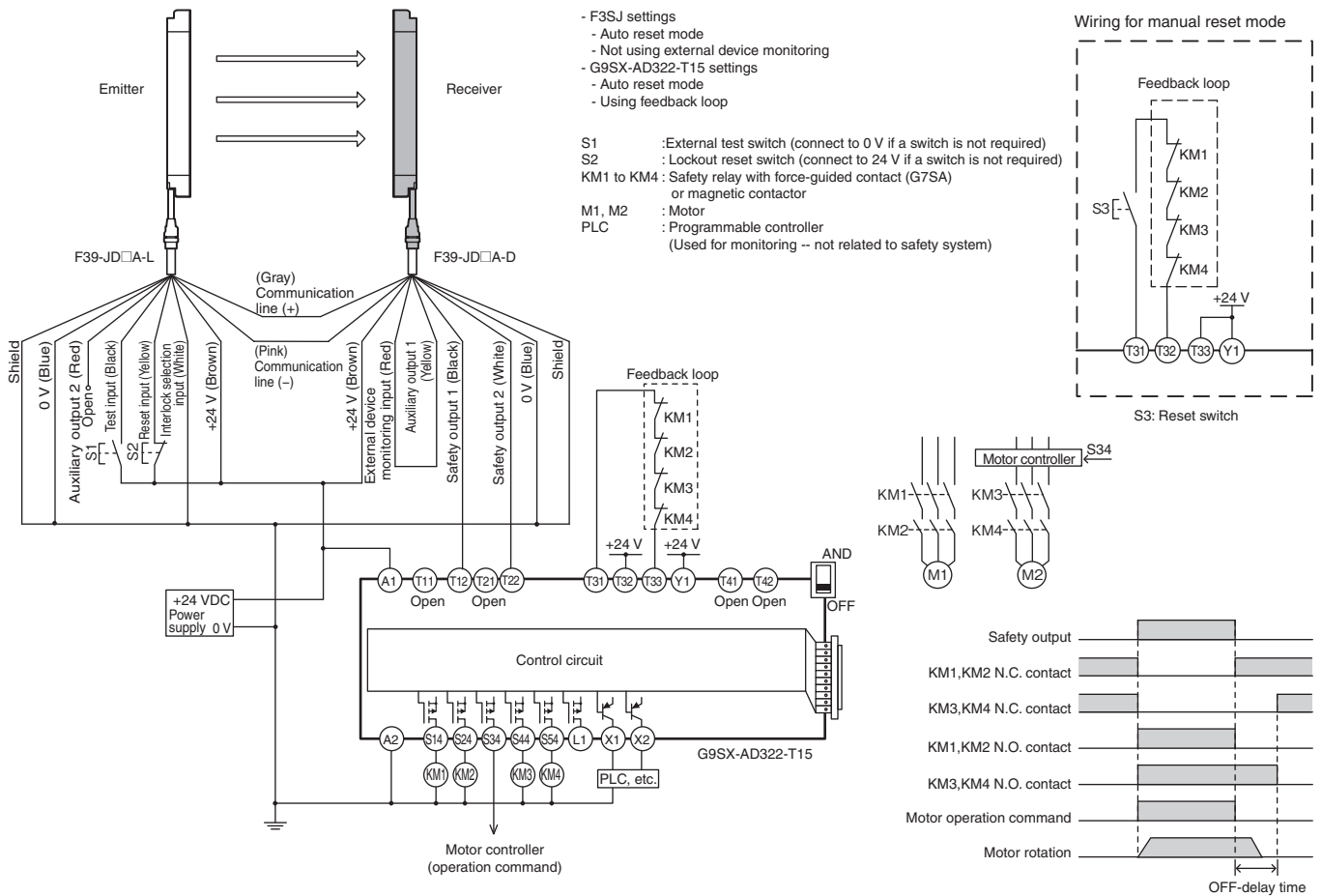
## Wiring for connection with a controller G9SX-AD322-T15 [PNP Output]

Highest achievable PL/ safety category	Model	Stop category	Reset
PLe/4 equivalent	Safety Light Curtain F3SJ-A□□□□P□□ Flexible Safety Unit G9SX-AD322-T15 Safety Relay G7SA	M1: 0 M2: 1	Auto

**Note:** The above PL is only the evaluation result of the example. The PL must be evaluated in an actual application by the customer after confirming the usage conditions.

### ● Application Overview

- The power supply to the motor M1 is turned OFF immediately when the beam is blocked, and stop command is sent to the motor controller for the motor M2.
- The power supply to the motor M2 is turned OFF after OFF-delay time.
- The power supply to the motor M1 and M2 is kept OFF until the beams are unblocked.



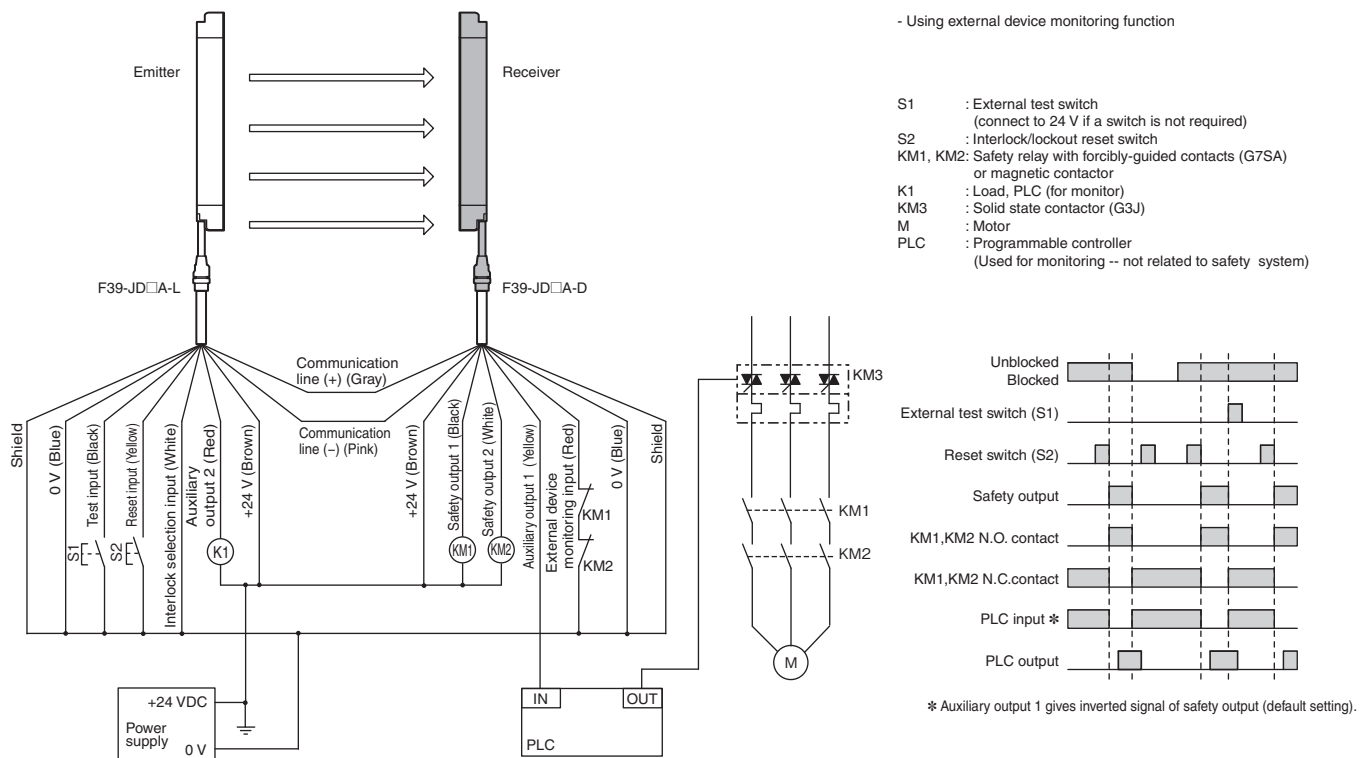
Wiring for single F3SJ-A application [NPN Output]

Highest achievable PL/ safety category	Model	Stop category	Reset
PLe/4 equivalent	Safety Light Curtain F3SJ-A□□□□N□□□ Safety Relay G7SA	0	Manual

**Note:** The above PL is only the evaluation result of the example. The PL must be evaluated in an actual application by the customer after confirming the usage conditions.

● Application Overview

- The power supply to the motor M is turned OFF when the beam is blocked.
- The power supply to the motor M is kept OFF until the beams are unblocked and the reset switch S2 is pressed.



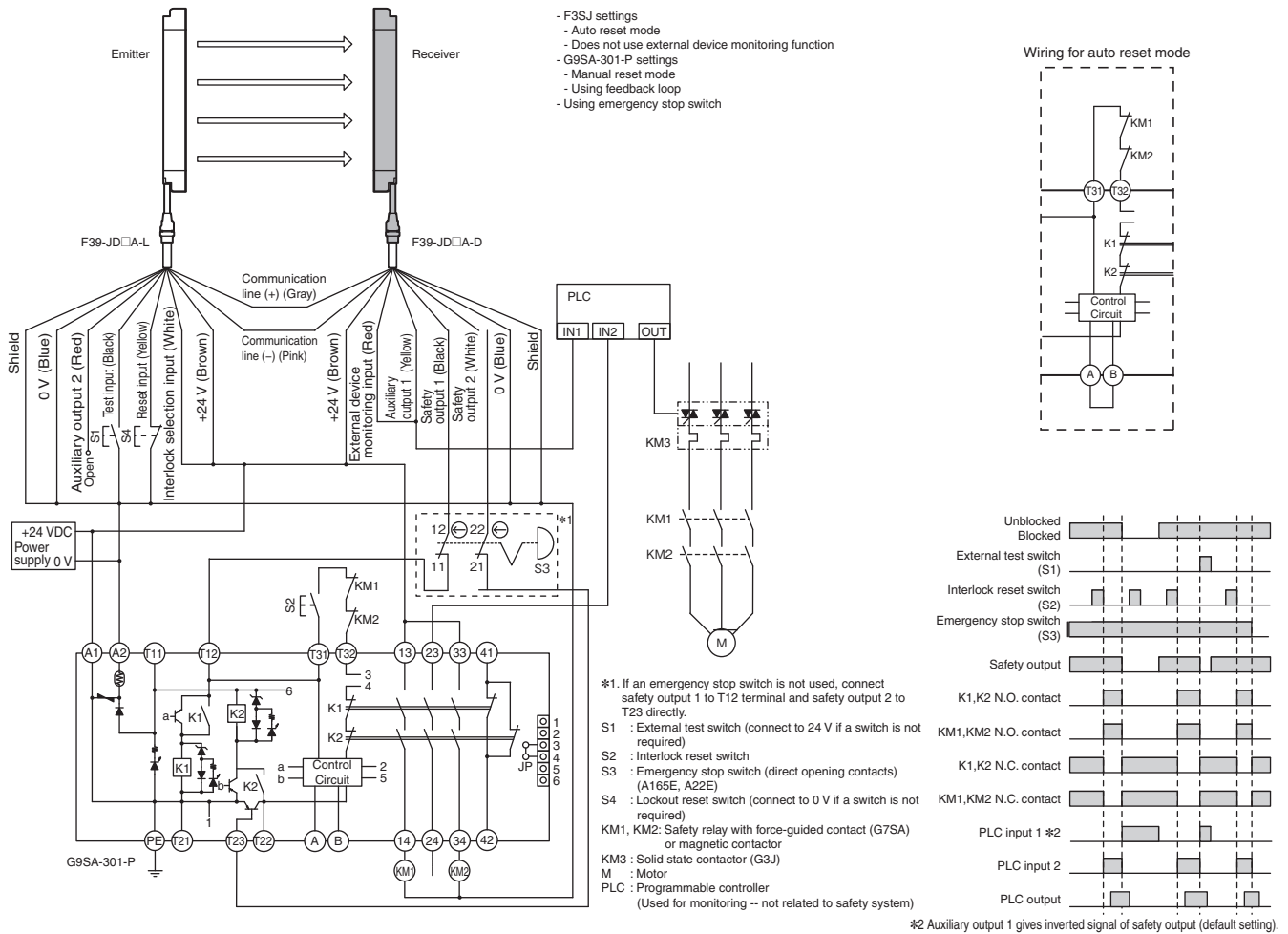
## Wiring for connection with a controller G9SA-301-P [NPN Output]

Highest achievable PL/ safety category	Model	Stop category	Reset
PLe/4 equivalent	Safety Light Curtain F3SJ-A□□□□□□□□ Safety Relay Unit G9SA-301-P 24V DC Safety Relay G7SA Emergency Stop Switch A165E/A22E	0	Manual

**Note:** The above PL is only the evaluation result of the example. The PL must be evaluated in an actual application by the customer after confirming the usage conditions.

### ● Application Overview

- The power supply to the motor M is turned OFF when the beam is blocked.
- The power supply to the motor M is turned OFF when the emergency stop switch is pressed.
- The power supply to the motor M is kept OFF until the beams are unblocked and the reset switch S2 is pressed while the emergency stop switch is released.



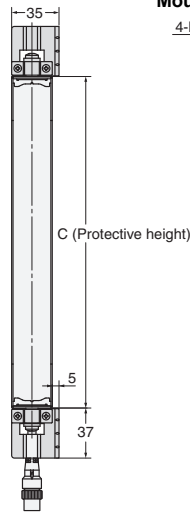
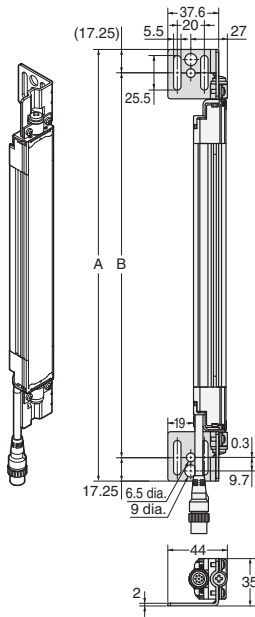
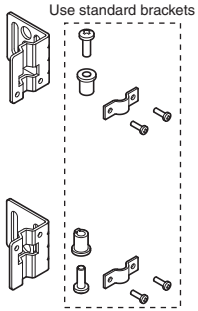




## Using Side Flat Mounting Bracket (F39-LJ2)

### F39-LJ2

Material: Stainless steel



### Mounting screw holes



### Dimensions A to C

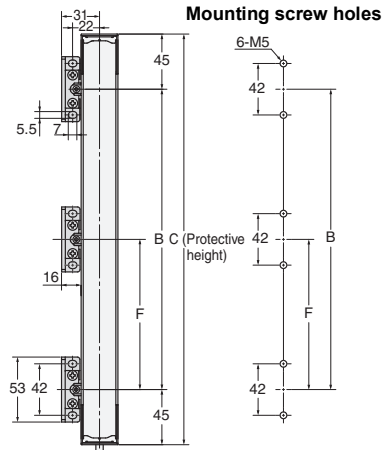
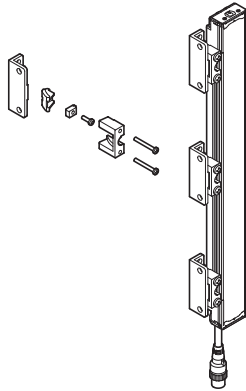
A	C + 74
B	C + 39.5
C	4-digit number of the model name (protective height)

## Using Free Location Mounting Bracket (F39-LJ3)

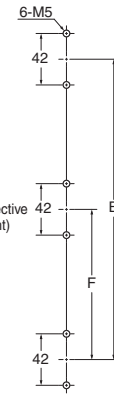
### Backside mounting

### F39-LJ3

Material: Zinc die-cast  
Horizontal angle:  $\pm 10^\circ$



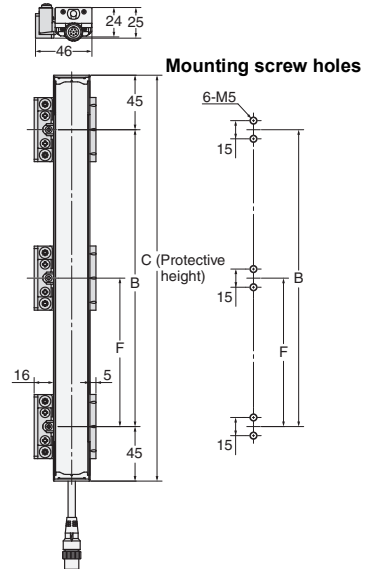
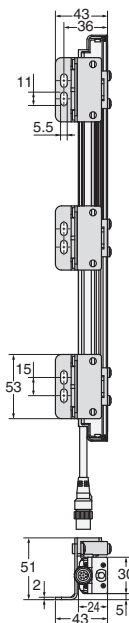
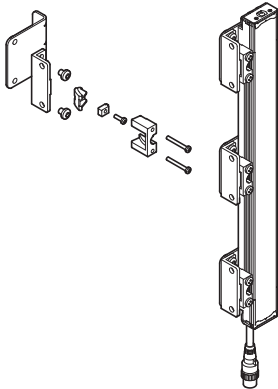
### Mounting screw holes



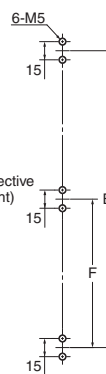
### Side mounting

### F39-LJ3

Material: Zinc die-cast/  
stainless  
Horizontal angle:  $\pm 10^\circ$



### Mounting screw holes



## Dimensions B, C, and F

B	C - 90
C	4-digit number of the model name (protective height)
F	Depends on the protective height. See the table on the right.

## Dimensions F

Protective height	Number of intermediate brackets	F *
245 to 440	2	---
443 to 785	3	B/2
794 to 1,140	4	B/3
1,145 to 1,490	5	B/4
1,495 to 1,840	6	B/5
1,845 to 2,180	7	B/6
2,195 to 2,500	8	B/7

\* Use F = 350 or less when none of the F values shown above are used.

When only F39-LJ3 free-location mounting brackets are used without standard brackets, allow a space of at least 350 mm between the brackets. The number of brackets required varies according to the protective height. For details about the number of required brackets, refer to the table below.

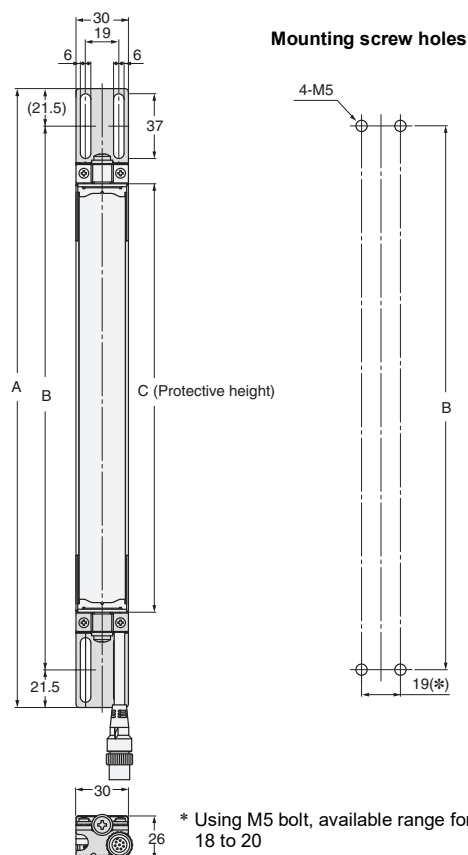
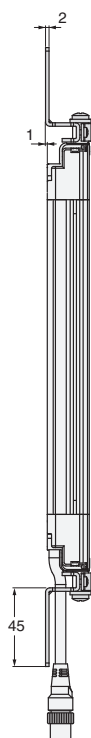
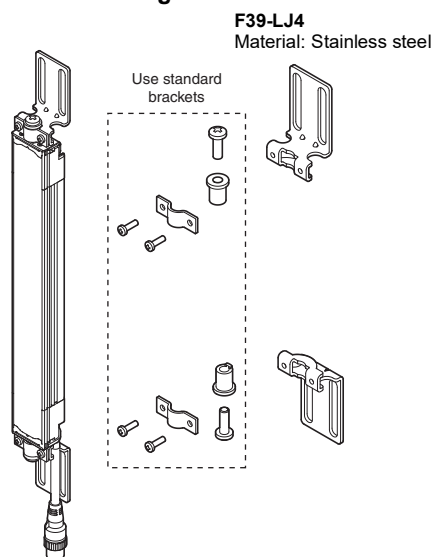
The standard included intermediate brackets are the same as the F39-LJ3 free-location mounting brackets. Purchase brackets as necessary if there are fewer intermediate brackets than required. When intermediate brackets are included, they can be used as free-location mounting brackets.

**Required number of F39-LJ3 free-location mounting brackets for 1 F3SJ set (emitter/receiver) (2 pieces are included with F39-LJ3)**

Protective height	Number of included free location brackets as intermediate brackets	Number of free location brackets to mount F3SJ	Number of free location bracket sets to be purchased (pcs)
245 to 440	0	4	2 sets (4)
443 to 596	0	6	3 sets (6)
600 to 785	2	6	2 sets (4)
794 to 1,130	2	8	3 sets (6)
1,136 to 1,140	4	8	2 sets (4)
1,145 to 1,490	4	10	3 sets (6)
1,495 to 1,658	4	12	4 sets (8)
1,660 to 1,840	6	12	3 sets (6)
1,845 to 2,180	6	14	4 sets (8)
2,195 to 2,500	8	16	4 sets (8)

## Using Top/Bottom Bracket B (F39-LJ4)

### Backside mounting



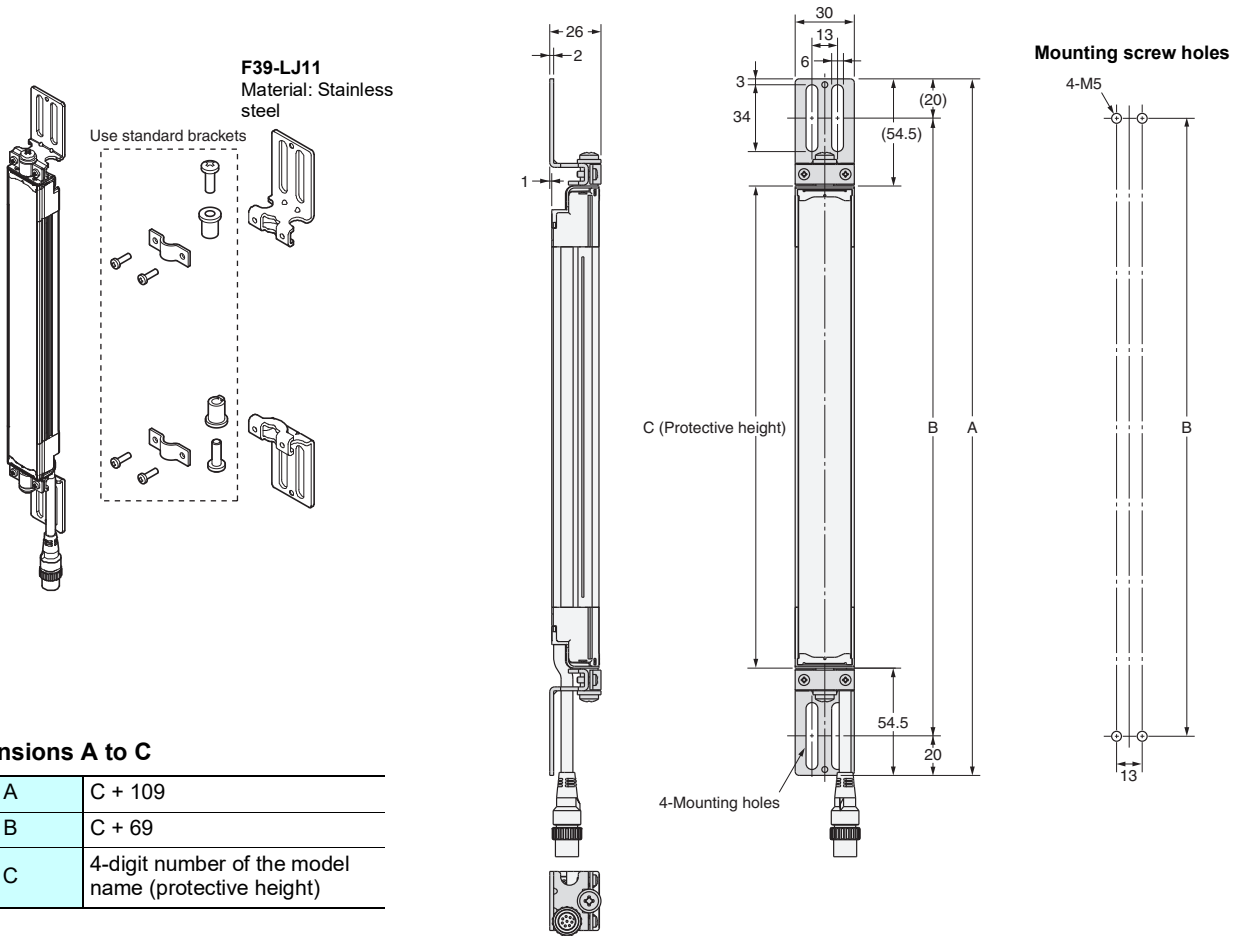
### Dimensions A to C

A	C + 109
B	C + 66
C	4-digit number of the model name (protective height)

**Note:** Refer to the User's Manual for the dimensions for side mounting.

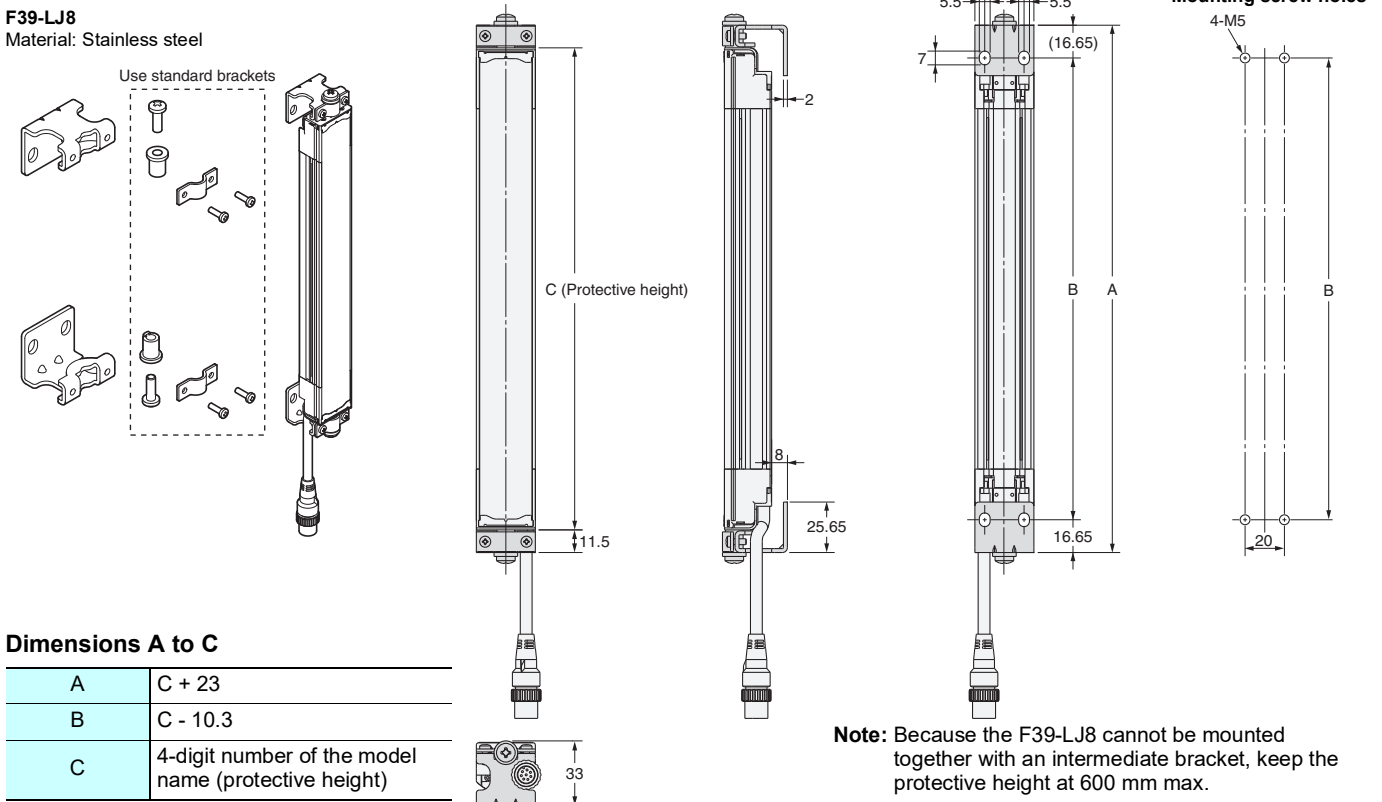
\* Using M5 bolt, available range for mounting is 18 to 20

## Using Top/Bottom Bracket C (F39-LJ11)



## Using Space-saving Mounting Bracket (F39-LJ8)

### Backside mounting



**Guide to Replacing F3SJ-A with F3SJ-E/B (Including models whose production will be discontinued)**

**F3SJ-A to F3SJ-E/B replacement correspondence table (F3SJ-A mounting holes can be used without modification)**

To check available brackets for replacement, refer to the table below.

To check dimensions when mounting brackets, refer to page 93.

The values in the table correspond to in the model name, meaning the protective height (mm) of a sensor.

F3SJ-A			Replacement F3SJ-E/B	Available bracket for replacement	
□□□□P(N)20	□□□□P(N)25	□□□□P(N)30	□□□□P(N)25	Top/bottom bracket (F39-LJB1)	Compatible bracket (F39-LJB4)
0245 0260 0275 0290	0260 0280	0245 0270 0295	0225		•
	0300			•	•
0305 0320 0335 0350 0365	0320 0340 0360	0320 0345 0370	0305		•
0380	0380			•	•
0395 0410 0425 0440 0455	0400 0420 0440	0395 0420 0445	0385		•
	0460			•	•
0470 0485 0500 0515 0530	0480 0500 0520	0470 0495 0520	0465		•
	0540			•	•
0545 0560 0575 0590 0605	0560 0580 0600	0545 0570 0595	0545		•
0620	0620	0620		•	•
0635 0650 0665 0680 0695	0640 0660 0680	0645 0670 0695	0625		•
	0700			•	•
0710 0725 0740 0755 0770	0720 0740 0760	0720 0745 0770	0705		•
	0780			•	•
0785 0800 0815 0830 0845	0800 0820 0840	0795 0820 0845	0785		•
0860	0860			•	•
0875 0890 0905 0920 0935	0880 0900 0920	0870 0895 0920	0865		•
	0940			•	•
0950 0965 0980 0995 01010	0960 0980 01000	0945 0970 0995	0945		•
	1020	1020		•	•
1025 1040 1055 1070 1085 1100	1040 1060 1080	1045 1070 1095	1025		•
	1100			•	•
1115 1130 1145 1160 1175	1120 1140 1160	1120 1145 1170	1105		•

# F3SJ-A

F3SJ-A			Replacement F3SJ-B	Available bracket for replacement	
□□□□P(N)20	□□□□P(N)25	□□□□P(N)30	□□□□P(N)25	Top/bottom bracket (F39-LJB1)	Compatible bracket (F39-LJB4)
	1180		1185	•	•
1190	1200	1195			
1205	1220	1220			
1220	1240	1245			•
1235					
1250					
	1260		1265	•	•
1265	1280	1270			
1280	1300	1295			
1295	1320	1320			•
1310					
1325					
1340	1340		1345	•	•
1355	1360	1345			
1370	1380	1370			
1385	1400	1395			•
1400					
1415					
	1420	1420	1425	•	•
1430	1440	1445			
1445	1460	1470			
1460	1480	1495			•
1475					
1490					
	1500		1505	•	•
1505	1520	1520			
1520	1540	1545			
1535	1560	1570			•
1550					
1565					
1580	1580		1585	•	•
1595	1600	1595			
1610	1620	1620			
1625	1640	1645			•
1640					
1655					
	1660		1665	•	•
1670	1680	1670			
1685	1700	1695			
1700	1720	1720			•
1715					
1730					
	1740		1745	•	•
1745	1760	1745			
1760	1780	1770			
1775	1800	1795			•
1790					
1805					
1820	1820	1820	1825	•	•
1835	1840	1845			
1850	1860	1870			
1865	1880	1895			•
1880					
1895					
	1900		1905	•	•
1910	1920	1920			
1925	1940	1945			
1940	1960	1970			•
1955					
1970					
	1980		1985	•	•
1985	2000	1995			
2000	2020	2020			
2015	2040	2045			•
2030					
2045					
2060	2060		2065	•	•
2075	2080	2070			
2090	2100	2095			
2105	2120	2120			•
2120					
2135					

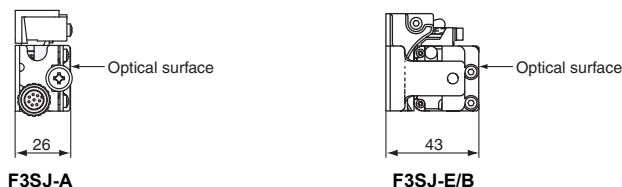
- Note:**
1. Protective height and detection capability vary according to replacement. Check the safe design of your device before use.
  2. The maximum protective height of F3SJ-E is 1,105 mm. Only the F3SJ-B can be replaced for the protective height of 1,185 or more.

### Change of Dimensions due to Replacement

#### (1) Replacement by backside mounting

	F3SJ-A (Using standard bracket)	F3SJ-E/B (Top/bottom bracket used)	F3SJ-E/B (Compatible bracket used)
Dimensions (mm) from mounting wall surface to optical surface (mm)	26	43	43
Total length including bracket (mm)	Protective height + 74	Protective height + 69	Protective height + 159

#### Dimensional drawing from mounting wall surface to optical surface



#### (2) Replacement by side mounting

	F3SJ-A (Using standard bracket)	F3SJ-E/B (Top/bottom bracket used)	F3SJ-E/B (Compatible bracket used)
Dimensions of a protrusion from mounting wall (mm)	51	46	46
Total length including bracket (mm)	Protective height +74	Protective height +69	Protective height +159

#### Dimensional drawing of a protrusion from mounting wall



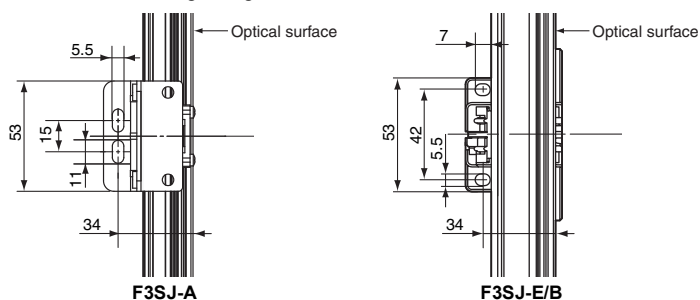
### Replacement using intermediate brackets

For backside mounting, the F3SJ-A and F3SJ-E/B can be used without modification due to compatibility in mounting hole pitch. For side mounting, a new hole needs to be made due to the different mounting hole pitch.

#### Mounting hole pitch for side mounting using intermediate bracket

	F3SJ-A (Free-location bracket used)	F3SJ-E/B (Intermediate bracket used)
Mounting hole pitch (mm)	15	42

#### Dimensional drawing of mounting hole for side mounting using intermediate bracket

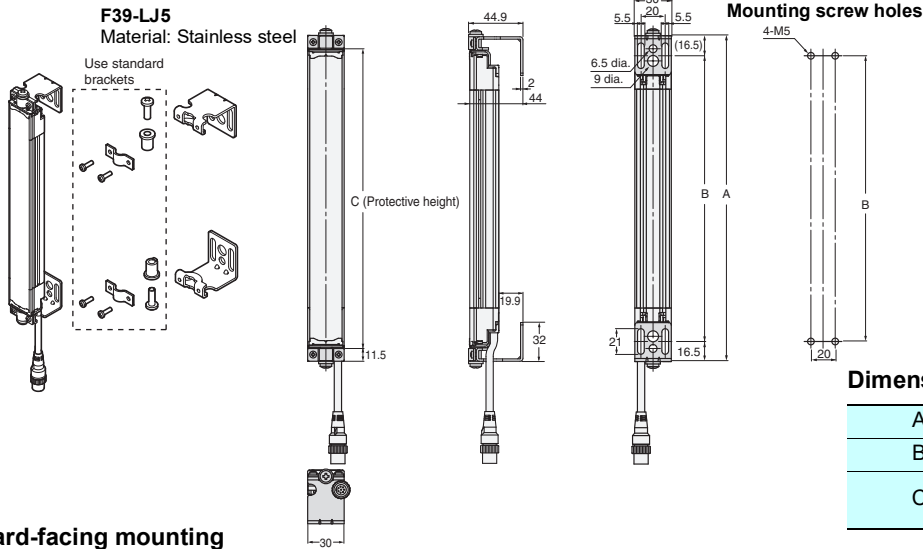


### Change of Dimensions due to Replacement

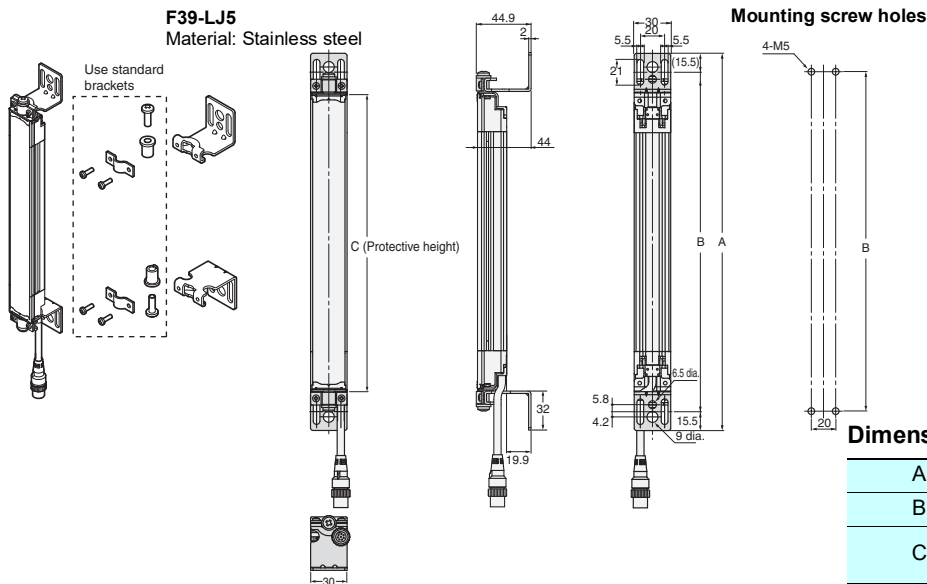
	F3SJ-A (Free-location bracket used)	F3SJ-E/B (Intermediate bracket used)
Dimensions (mm) from mounting wall surface to optical surface (mm)	26	43

## Using mounting bracket for short-length F3SN (F39-LJ5)

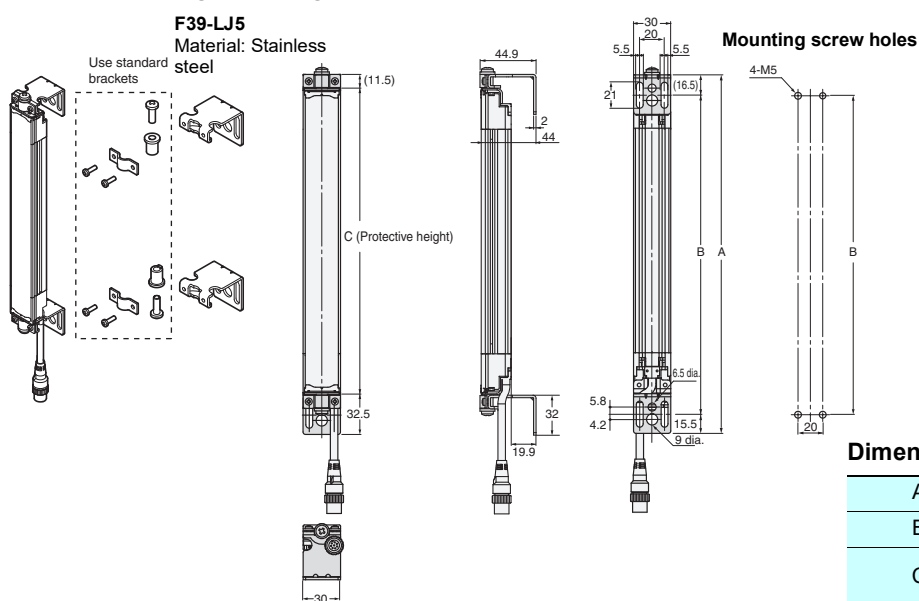
### Inward-facing mounting



### Outward-facing mounting



### Inward + outward-facing mounting





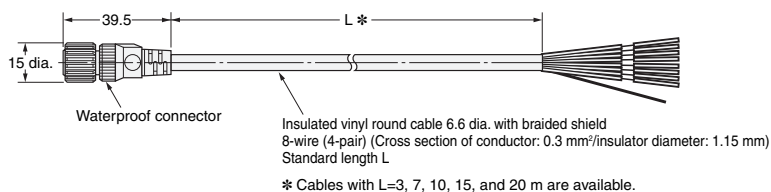
## Accessories

### Single-Ended Cable

- F39-JD3A (L = 3 m)
- F39-JD7A (L = 7 m)
- F39-JD10A (L = 10 m)

- F39-JD15A (L = 15 m)
- F39-JD20A (L = 20 m)

Cable color: Gray for emitter  
Black for receiver

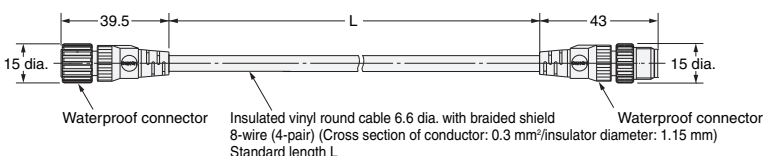


### Double-Ended Cable

- F39-JDR5B (L = 0.5 m)
- F39-JD1B (L = 1 m)
- F39-JD3B (L = 3 m)
- F39-JD5B (L = 5 m)

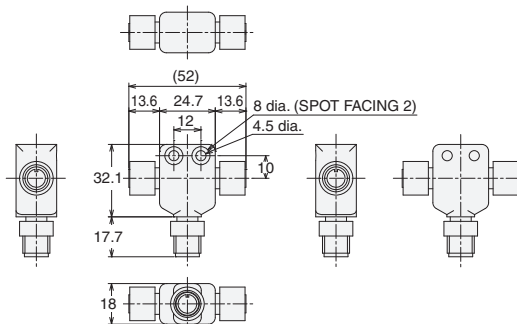
- F39-JD7B (L = 7 m)
- F39-JD10B (L = 10 m)
- F39-JD15B (L = 15 m)
- F39-JD20B (L = 20 m)

Cable color: Gray for emitter  
Black for receiver



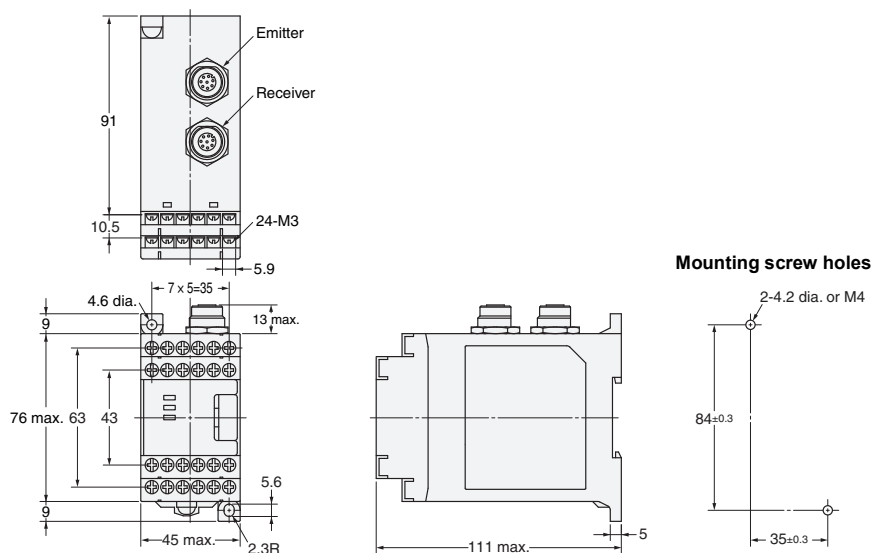
### Simple Wiring Connector

F39-CN5



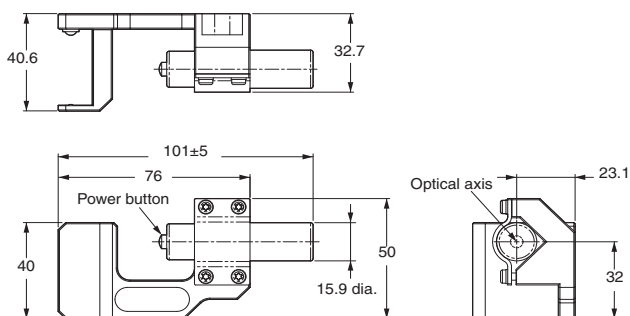
### Control Unit

F3SP-B1P



### Laser Pointer

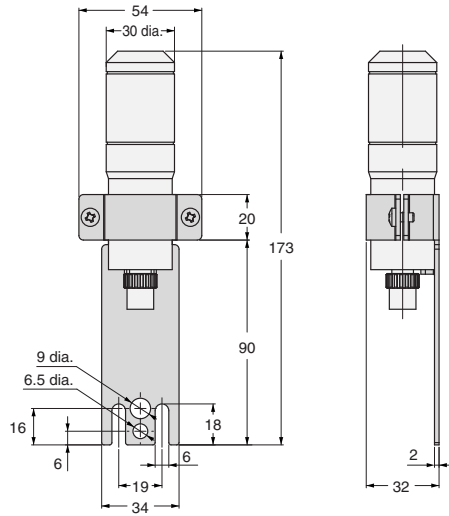
F39-PTJ



# F3SJ-A

## Dedicated External Indicator Set

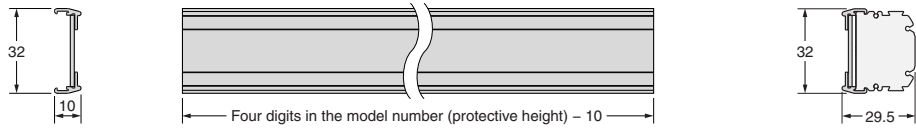
F39-A01□-PAC



Material: Stainless steel

## Spatter Protection Cover

F39-HJ□□□□

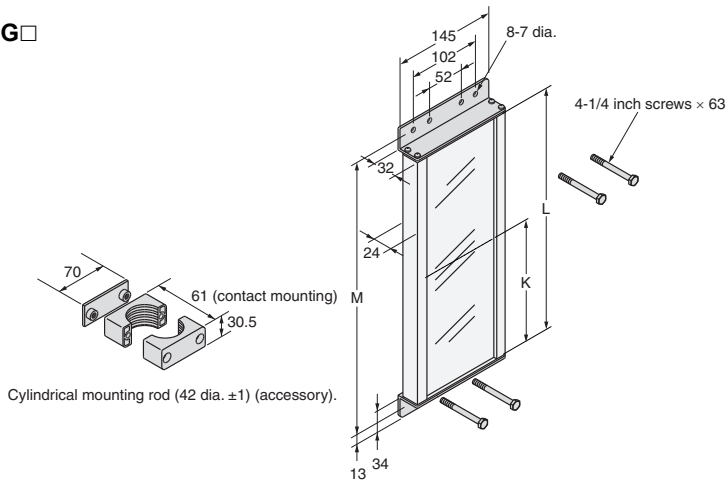


Assembled dimensions

Material: PC (transparent area)  
ABS (non-transparent area)

## Mirrors

F39-MLG□

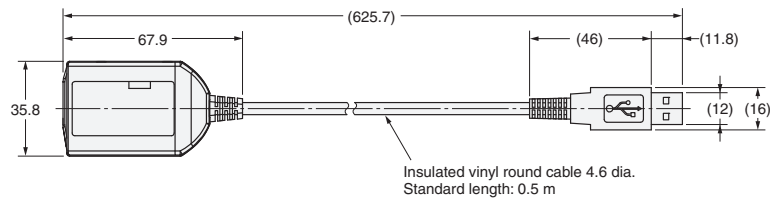


Model	L (mm)	M (mm)	K (mm)
F39-MLG0406	445	487	---
F39-MLG0610	648	690	---
F39-MLG0711	749	792	---
F39-MLG0914	953	995	---
F39-MLG1067	1,105	1,148	---
F39-MLG1219	1,257	1,300	---
F39-MLG1422 *	1,499	1,541	749
F39-MLG1626 *	1,702	1,744	851
F39-MLG1830 *	1,905	1,948	952
F39-MLG2134 *	2,210	2,252	1,054

\* Following May 2018 production, products will include a two-piece mirror. "K" indicates the distance to the mirror seam.

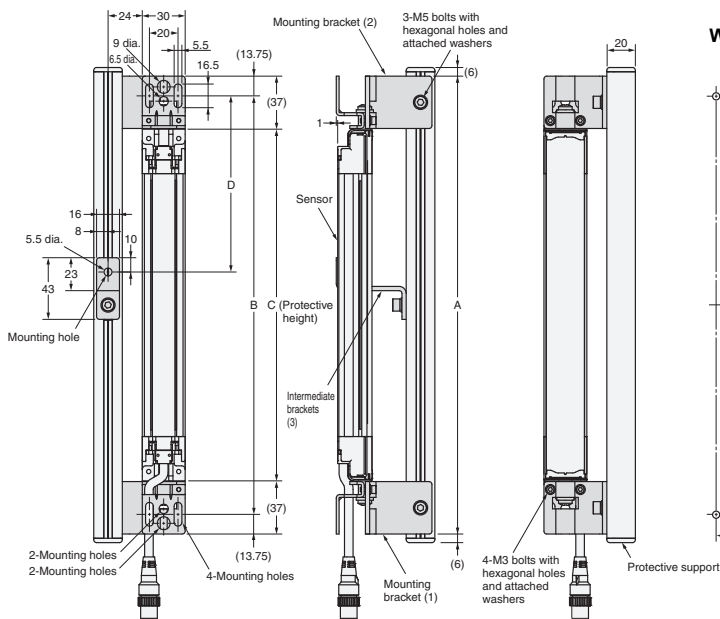
## Setting Support Software for the F3SJ

F39-GWUM

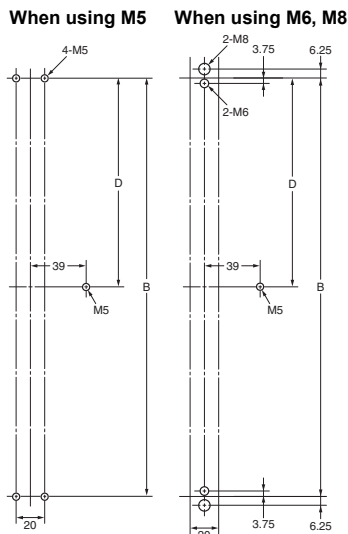


Protective Bar

F39-PJ□□□□-S  
Backside mounting



Mounting screw holes

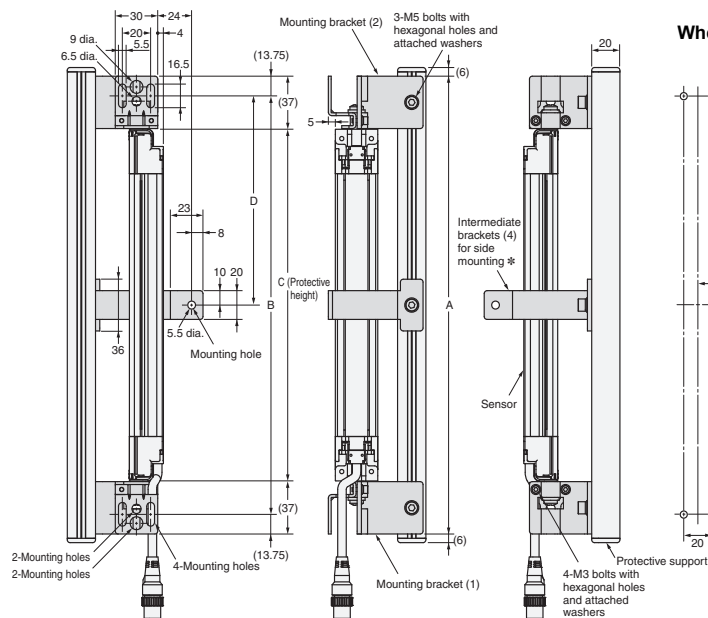


C (protective height): 4-digit number in the table  
 $A = C + 74$ ,  
 $B = C + 46.5$

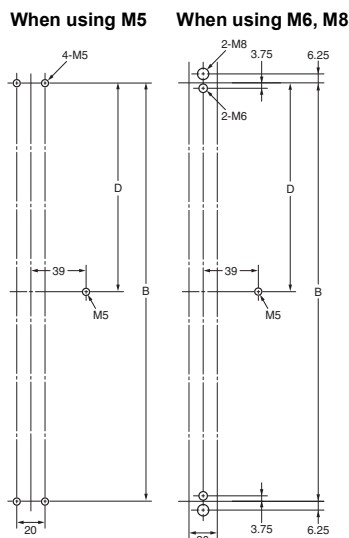
Protective height	Number of intermediate brackets used (3)	D
245 to 995	0	---
1,001 to 2,000	1	B/2
2,009 to 2,500	2	B/3

**Note:** For reference, D is the dimension that will not interfere with the intermediate bracket on the Safety Light Curtain body.

Side mounting

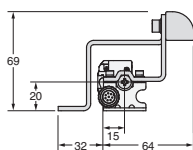


Mounting screw holes



C (protective height): 4-digit number in the table  
 $A = C + 74$ ,  
 $B = C + 46.5$

\* The four intermediate brackets (F39-PJ-MS) for side mounting are not provided.



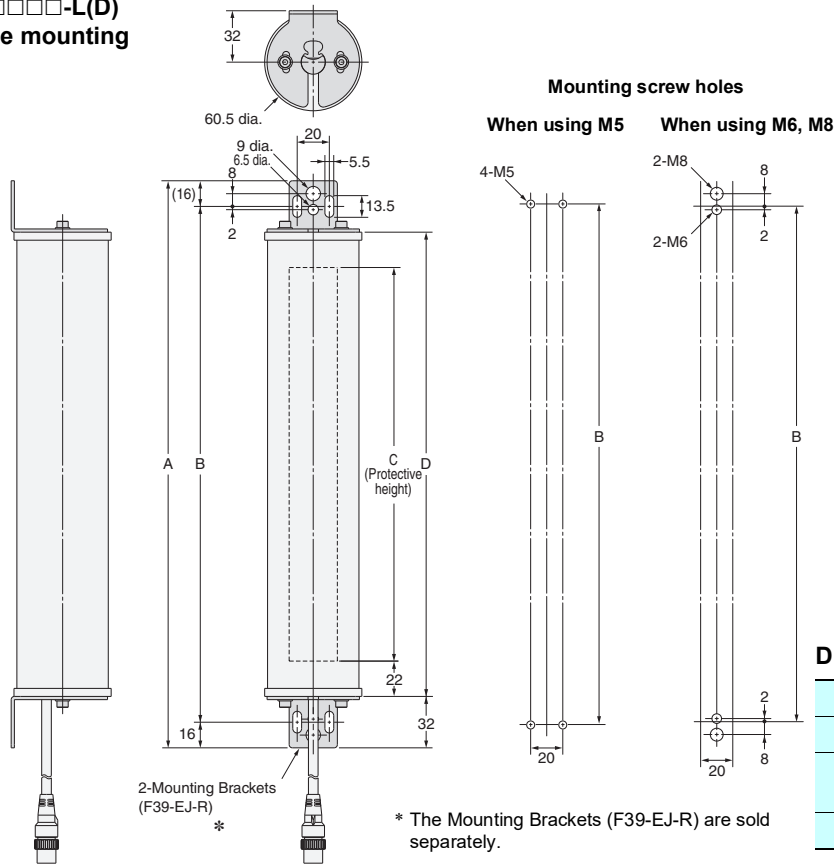
Protective height	Intermediate brackets for side mounting Number of intermediate brackets used (4)	D
245 to 995	0	---
1,001 to 2,000	1	B/2
2,009 to 2,500	2	B/3

**Note:** For reference, D is the dimension that will not interfere with the intermediate bracket on the Safety Light Curtain body.

# F3SJ-A

## Water-resistant Case

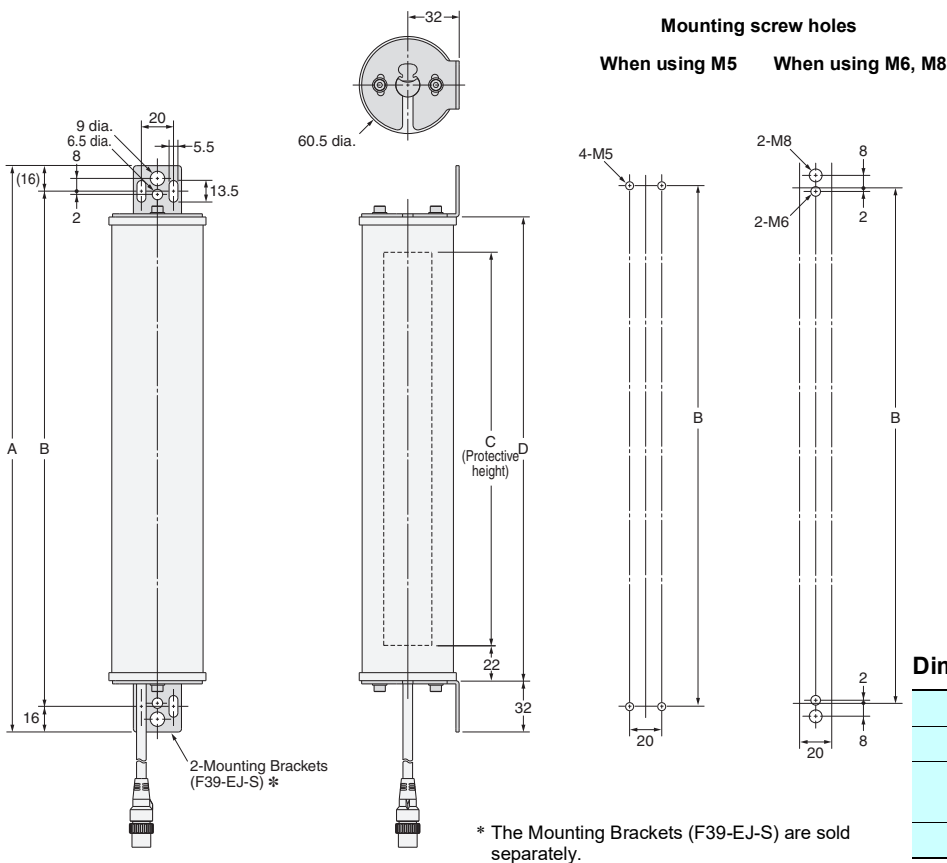
F39-EJ□□□□-L(D)  
Backside mounting



**Dimensions A to D**

A	C + 108
B	C + 76
C	4-digit number of the model name (protective height)
D	C + 44

## Side mounting



**Dimensions A to D**

A	C + 108
B	C + 76
C	4-digit number of the model name (protective height)
D	C + 44

## Function List

Functions that can be used on F3SJ are shown as follows: Refer to the F3SJ User's Manual for details. For manual number, check the "Related Manuals" at the end of the catalog.

✓: Can be used.

X: Cannot be used.

### Basic functions

Function	F3SJ-E (EASY)	F3SJ-B (BASIC)	F3SJ-A (ADVANCED)
Self-test function	✓	✓	✓
External test function	✓	✓	✓
External device monitoring function	X	✓*1	✓
Interlock function	X	✓*1	✓
Auxiliary output function	X	✓	✓
Muting function *2	X	✓	✓

\*1. Cannot be used at muting.

\*2. The muting time for the F3SJ-A can be set via the software tool. The muting time for the F3SJ-B cannot be changed.

### Functions for individual applications

Override function	X	✓	✓
Partial muting function	X	X	✓
Position detection muting function	X	X	✓
Fixed blanking function	X	X	✓
Floating blanking function	X	X	✓
Warning zone function	X	X	✓
Use of setting tools	X	X	✓

### Wiring/mounting related function

Series connection function	X	✓	✓
Dead space less (single connection)	✓	✓	✓
Dead space less (series connection)	X	X	✓
Response time integration (15 ms) *3	✓	✓	X
Simple wiring	✓	X	X
Connector cable	X	✓	
Quick mounting	✓	✓	X
TOP/BOTTOM indicator for beam adjustment	✓	✓	X
Laser Pointer	✓	✓	✓

\*3. Convenient to calculate safety distance.

### Indicator related functions

External indicator output	X	✓*4	✓*5
Muting error display	X	✓	X

**Note:** The specifications of the models with the suffixes "-01TS", "-02TS" or "-TS" are different.

Refer to the Specifications.

\*4. An external Indicator can be connected to the F3SJ-B auxiliary output .

\*5. An external Indicator can be connected to the F3SJ-A auxiliary output 1 and 2, external Indicator 1 and 2 .

## Self-test Function

A self-test is performed to check for errors when the power is turned ON. Also, the self-test is regularly performed (within the response time) while operating.

## External Test Function

This function stops the emission using an external signal. It can be used to verify that a safety system should properly stop when F3SJ is interrupted.

## External Device Monitoring Function

This function detects malfunctions, such as welding, in external relays (or contactors) that control the hazardous part of a machine.

This function constantly monitors that a specified voltage is applied to the receiver's external device monitoring input line, and the system enters lockout state when an error occurs. The relay's operational delay can be up to 300 ms without being evaluated as an error.

For example, if the normally closed N.C. contact does not close within 0.3 s after the safety outputs turn from ON to OFF, and a specified voltage is not applied to the external device monitoring line, it is evaluated as an error and the system enters a lockout state. To utilize this function properly, use safety relays and contactors that have force guided or mechanically linked contact structure.

## Interlock Function

The F3SJ turns the safety outputs OFF when its power is turned on or its beam is interrupted and holds this state until reset input is applied. This state is called "interlock".

Two methods can be used to reset the interlock state: "auto reset that automatically turns safety outputs ON when the interrupting object is removed" and "manual reset mode that keeps safety outputs OFF until a reset signal is provided, if the interrupting object is removed".

## Auto Reset

When the interrupting object is removed from the detection zone, the safety outputs automatically turn ON. Auto reset is used on machines where a worker is not able to enter the area between the detection zone and the hazardous part of the machine.

## Manual Reset

When a reset input is given while no interrupting object exists in a detection zone, the safety outputs turn ON. This allows the machine to be manually reset using a reset switch after ensuring safety, preventing unexpected startup.

## Auxiliary Output Function

The auxiliary output is used to monitor the status of the F3SJ. This output can be connected to a device such as programmable controller.

## Muting Function

Muting function temporarily disables safety function of the F3SJ, keeping safety output ON even if beams are interrupted. This makes it possible to install safety light curtains for AGV passage, enabling both safety and productivity.

## Override Function

The override function turns the safety outputs ON when the muting start condition is not satisfied. If a workpiece stops while passing through the F3SJ, as shown below, causing a muting error, the normal state cannot be recovered unless the workpiece is removed from the muting sensors and the detection field of the F3SJ. However, the override function will mute the safety outputs of the F3SJ so that the conveyor can be restarted to move the workpiece out of the muting sensors and detection zone.

## Partial Muting Function

Partial muting function secures safety without enabling muting except for beams when a workpiece passes.

## Position Detection Muting

A limit switch or other means is used to detect when the robot is in a safe position, and muting is then applied.

## Fixed Blanking Function

Fixed blanking function disables a specific beam of the F3SJ. This function keeps safety output ON even when part of machinery equipment exists within a detection zone.

## Floating Blanking Function

Floating blanking function increases the diameter of the F3SJ's detection capability and turns OFF the safety output when multiple objects are detected. When there is a moving object with a fixed width in the detection area that we do not want to detect, the detection function can be disabled.

## Warning Zone Function

When an individual enters, a warning lamp lights or buzzer sounds without stopping the equipment by dividing the detection zone into the detection zone and a warning zone.

## Setting Tool

The following setting tools (sold separately) can be purchased in order to change or confirm various F3SJ-A parameters.

- F39-MC21 Setting Console
- F39-GWUM SD Manager Setting Support Software for the F3SJ

## Series Connection Function

Up to 3 sets of the F3SJ-Bs or up to 4 sets of F3SJ-As can be series-connected. Series connection allows them to be used as a safety light curtain, requiring only one set to be wired to a controller and preventing mutual interference.

## Safety Precautions

Description shown below is only a guideline to choose a safety sensor. To use the product properly, you must read its instruction manual that comes with the product.

### Legislation and Standards

1. Application of a sensor alone cannot receive type approval provided by Article 44-2 of the Industrial Safety and Health Act of Japan. It is necessary to apply it in a system.  
Therefore, when using the F3SJ in Japan as a "safety system for pressing or shearing machines" prescribed in Article 42 of that law, the system must receive type approval.
2. The F3SJ is electro-sensitive protective equipment (ESPE) in accordance with European Union (EU) Machinery Directive Index Annex V, Item 2.
3. The F3SJ-E/B is in conformity with the following standards:
  - (1) EC legislation  
Machinery Directive 2006/42/EC  
EMC Directive 2014/30/EU
  - (2) European standards  
EN 61496-1 (type 4 ESPE),  
EN 61496-2 (type 4 AOPD),  
EN 61508-1 through -3 (SIL3),  
EN 61000-6-4,  
EN ISO 13849-1:2015 (PLe/Safety Category 4)
  - (3) International standards  
IEC 61496-1 (type 4 ESPE),  
IEC 61496-2 (type 4 AOPD),  
IEC 61508-1 through -3 (SIL3),  
ISO 13849-1:2015 (PLe/Safety Category 4)
  - (4) JIS standards  
JIS B 9704-1 (type 4 ESPE),  
JIS B 9704-2 (type 4 AOPD)
  - (5) North American standards:  
UL 61496-1 (type 4 ESPE),  
UL 61496-2 (type 4 AOPD),  
UL 508, UL 1998, CAN/CSA C22.2 No.14,  
CAN/CSA C22.2 No.0.8
4. The F3SJ-A is in conformity with the following standards:
  - (1) EC legislation  
Machinery Directive 2006/42/EC  
EMC Directive 2014/30/EU
  - (2) European standards  
EN 61496-1 (type 4 ESPE),  
EN 61496-2 (type 4 AOPD),  
EN61508-1 through -3 (SIL3)  
EN ISO 13849-1:2015 (PLe/Safety Category 4)
  - (3) International standards  
EC 61496-1 (type 4 ESPE),  
IEC 61496-2 (type 4 AOPD),  
IEC 61508-1 through -3 (SIL3)  
ISO13849-1: 2015 (PLe/Safety Category 4)
- (4) JIS standards  
JIS B 9704-1 (type 4 ESPE),  
JIS B 9704-2 (type 4 AOPD)
- (5) North American standards:  
UL 61496-1 (type 4 ESPE),  
UL 61496-2 (type 4 AOPD),  
UL 508, UL 1998, CAN/CSA C22.2 No.14,  
CAN/CSA C22.2 No.0.8
5. The F3SJ received the following certification from the EU-accredited body, TÜV SÜD Product Service GmbH:
  - EC type test based on machinery directive  
Type 4 ESPE (EN 61496-1),  
Type 4 AOPD (EN 61496-2)
6. The F3SJ is scheduled to received certificates of UL listing for US and Canadian safety standards from the Third Party Assessment Body UL.
  - Type 4 ESPE (UL 61496-1),  
Type 4 AOPD (UL 61496-2)
7. The F3SJ is designed according to the standards listed below. To make sure that the final system complies with the following standards and regulations, you are asked to design and use it in accordance with all other related standards, laws, and regulations. If you have any questions, consult with specialized organizations such as the body responsible for prescribing and/or enforcing machinery safety regulations in the location where the equipment is to be used.
  - European standards: EN 415-4, EN 692, EN 693
  - US Occupational Safety and Health Standards: OSHA 29 CFR 1910.212
  - US Occupational Safety and Health Standards: OSHA 29 CFR 1910.217
  - American National Standards: ANSI B11.1 to B11.19
  - American National Standards: ANSI/RIA 15.06
  - Canadian Standards Association CSA Z142, Z432, Z434
  - SEMI Standards SEMI S2
  - Japan Ministry of Health, Labour and Welfare "Guidelines for Comprehensive Safety Standards of Machinery"
8. We have obtained S-Mark Certification from Legislation and Standards Korea Occupational Safety & Health Agency (KOSHA).  
(F3SJ-E□□□□P25-S/F3SJ-B□□□□P25-S/  
F3SJ-A□□□□P□□-S)





# F3SJ-E/F3SJ-B/F3SJ-A

## Precautions on Safety


### Indication and meaning for safe use

This instruction manual describes notification and/or warning with indication and symbols as shown below for safe use of F3SJ. This notification describes very important details for safety. You must follow the description. Shown below are indication and symbols.

 <b>WARNING</b>	Indicates a potentially hazardous situation which, if not avoided, will result in minor or moderate injury, or may result in serious injury or death. Additionally there may be significant property damage.
--	--

 <b>CAUTION</b>	If you fail to use a product properly, it may result in injuries or damage on property.
--	---

### Meanings of Alert Symbols

	Inhibited Indicates general inhibition.
---	--

### Alert Statements in this Manual

**F3SJ-E** . . . . . Description applied to F3SJ-E models.

**F3SJ-B** . . . . . Description applied to F3SJ-B models.

**F3SJ-A** . . . . . Description applied to F3SJ-A models.

### For users

 <b>WARNING</b>
---

**F3SJ-E** **F3SJ-B** **F3SJ-A**

The F3SJ must be installed, set, and integrated into the mechanical control system by a qualified technician who has received the appropriate training. Failure to make correct settings may prevent detection of people and result in serious injury.

**F3SJ-A**

When changing parameters with a setting tool (F39-GWUM or F39-MC21), the change must be made and the contents of the change must be managed by the person in charge of the system. Unintentional or mistaken parameter changes may prevent detection of people and result in serious injury.

### For machines

 <b>WARNING</b>
--

**F3SJ-E** **F3SJ-B** **F3SJ-A**

Do not use this sensor for machines that cannot be stopped by electrical control. For example, do not use it for a pressing machine that uses full-rotation clutch. Otherwise, the machine may not stop before a person reaches the hazardous part, resulting in serious injury.

**F3SJ-B** **F3SJ-A**

Do not use the auxiliary output or external indicator output for safety applications. Human body may not be detected when F3SJ fails, resulting in serious injury.

### For installation

 <b>WARNING</b>
--

**F3SJ-E** **F3SJ-B** **F3SJ-A**

Make sure to test the operation of the F3SJ after installation to verify that the F3SJ operates as intended. Make sure to stop the machine until the test is complete.

Unintended function settings may cause a person to go undetected, resulting in serious injury.

**F3SJ-E** **F3SJ-B** **F3SJ-A**

Make sure to install the F3SJ at the safe distance from the hazardous part of the equipment. Otherwise, the machine may not stop before a person reaches the hazardous part, resulting in serious injury.

**F3SJ-E** **F3SJ-B** **F3SJ-A**

Install a protective structure so that the hazardous part of a machine can only be reached by passing through the sensor's detection zone. Install the sensors so that part of the person is always present in the detection zone when working in a machine's hazardous zones. If a person is able to step into the hazardous zone of a machine and remain behind the sensor's detection zone, configure the system with an interlock function that prevents the machine from being restarted. Otherwise it may result in heavy injury.

**F3SJ-B** **F3SJ-A**

Install the interlock reset switch in a location that provides a clear view of the entire hazardous area and where it cannot be activated from within the hazardous area.

**F3SJ-E** **F3SJ-B** **F3SJ-A**

The F3SJ cannot protect a person from a projectile exiting the hazardous zone. Install protective cover(s) or fence(s).

**F3SJ-A**

When detection of an area has been disabled by the fixed blanking function, provide a protective structure around the entire area that will prevent a person from passing through it and reaching the hazardous part of the machinery. Failure to do so may prevent detection of people and result in serious injury.

**F3SJ-A**

After setting the fixed blanking function, be sure to confirm that a test rod is detected within all areas that require detection. Failure to do so may prevent detection of people and result in serious injury.

**F3SJ-A**

When the fixed blanking function or the floating blanking function is used, the diameter for the smallest detectable object becomes larger. Be sure to use the diameter for the smallest detectable object for the fixed blanking function or the floating blanking function when calculating the safety distance. Failure to do so may prevent the machinery from stopping before a person reaches the hazardous part of the machinery, and result in serious injury.

**F3SJ-B** **F3SJ-A**

The muting and override functions disable the safety functions of the device. Additional safety measures must be taken to ensure safety while these functions are working.

**F3SJ-B F3SJ-A**

Install muting sensors so that they can distinguish between the object that is being allowed to pass through the detection zone and a person. If the muting function is activated by the detection of a person, it may result in serious injury.

**F3SJ-B F3SJ-A**

Muting lamps (external indicators) that indicate the state of the muting and override functions must be installed where they are clearly visible to workers from all the operating positions.

**F3SJ-A**

Muting times must be precisely set according to the application by qualified personnel who have received appropriate training. In particular, if the muting time limit is to be set to infinity, the person who makes the setting must bear responsibility.

**F3SJ-B F3SJ-A**

Use two independent input devices for the muting inputs.

**F3SJ-B F3SJ-A**

Install the F3SJ, Muting Sensors, or a protective wall so that workers cannot enter hazardous areas while muting is in effect, and set muting times.

**F3SJ-B F3SJ-A**

Position the switch that is used to activate the override function in a location where the entire hazardous area can be seen, and where the switch cannot be operated from inside the hazardous area. Make sure that nobody is in the hazardous area before activating the override function.

**F3SJ-E F3SJ-B F3SJ-A**

Install the sensor system so that it is not affected by reflective surfaces. Failure to do so may hinder detection, resulting in serious injury.

**F3SJ-E F3SJ-B F3SJ-A**

When using more than 1 set of F3SJ, install them so that mutual interference does not occur, such as by configuring series connections or using physical barriers between adjacent sets.

**F3SJ-E F3SJ-B F3SJ-A**

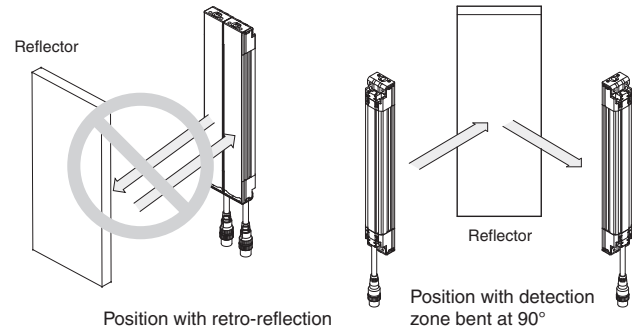
Make sure that the F3SJ is securely mounted and its cables and connectors are properly secured.

**F3SJ-E F3SJ-B F3SJ-A**

Make sure that no foreign material, such as water, oil or dust, enters the inside of the F3SJ while the cap is removed.

**F3SJ-E F3SJ-B F3SJ-A**

Do not use the sensor system with mirrors in a regressive reflective configuration. Doing so may hinder detection. It is possible to use mirrors to "bend" the detection zone to a 90-degree angle.



**F3SJ-E F3SJ-B F3SJ-A**

When using series connections, perform inspection of all connected F3SJs as instructed in the User's Manual.

**For wiring**

**⚠ WARNING**

**F3SJ-E F3SJ-B F3SJ-A**

[For PNP output]

Connect the load between the output and 0V line.

[For NPN output]

Connect the load between the output and +24V line. If +24 V and 0 V are connected, it is dangerous because operation mode is inverted to "ON when interrupted".

**F3SJ-E F3SJ-B F3SJ-A**

[For PNP output]

Do not short-circuit an output line to +24 V line. Otherwise, the output is always ON. Also, 0 V of the power supply must be grounded so that output should not turn ON due to grounding of the output line.

[For NPN output]

Do not short-circuit an output line to 0 V line. Otherwise, the output is always ON. Also, +24 V of the power supply must be grounded so that output should not turn ON due to grounding of the output line.

**F3SJ-E F3SJ-B F3SJ-A**

Configure the system by using the optimal number of safety outputs that satisfy the requirements of the necessary safety category.

**F3SJ-E F3SJ-B F3SJ-A**

Do not connect each line of F3SJ to a DC power supply higher than 24 V+20%. Also, do not connect to an AC power supply. Failure to do so may result in electric shock.

# F3SJ-E/F3SJ-B/F3SJ-A

F3SJ-E F3SJ-B F3SJ-A

For F3SJ to comply with IEC 61496-1 and UL 508, the DC power supply unit must satisfy all of the following conditions:

- Must be within rated power voltage (24 VDC±20%).
- Must have tolerance against the total rated current of devices if it is connected to multiple devices.
- Must comply with EMC directives (industrial environment)
- Double or enhanced insulation must be applied between the primary and secondary circuits
- Automatic recovery of overcurrent protection characteristics (reversed L sagging)
- Output holding time must be 20 ms or longer
- Must satisfy output characteristic requirements for class 2 circuit or limited voltage current circuit defined by UL 508
- Must comply with EMC, laws, and regulations of a country or a region where F3SJ is used. (Ex: In EU, the power supply must comply to the EMC Low Voltage Directive)

F3SJ-E F3SJ-B F3SJ-A

Double or enhanced insulation from hazardous voltage must be applied to all input and output lines. Failure to do so may result in electric shock.

F3SJ-E F3SJ-B F3SJ-A

Note: Keep the cable length within the rated length. Failure to do so is dangerous as it may prevent safety functions from operating normally.

F3SJ-E F3SJ-B F3SJ-A

Make sure to perform wiring while the power supply is OFF.

Others F3SJ-E F3SJ-B F3SJ-A

## WARNING

To use the F3SJ in PSDI mode (Reinitiation of cyclic operation by the protective equipment), you must configure an appropriate circuit between the F3SJ and the machine. For details about PSDI, refer to OSHA1910.217, IEC 61496-1, and other relevant standards and regulations.

Do not try to disassemble, repair, or modify this product. Doing so may cause the safety functions to stop working properly.

Do not use the F3SJ in environments where flammable or explosive gases are present. Doing so may result in explosion.

Perform daily and 6-month inspections for the F3SJ. Otherwise, the system may fail to work properly, resulting in serious injury.

Do not use radio equipment such as cellular phones, walkie-talkies, or transceivers near the F3SJ.

Note: For customers using the F3SJ-B□□□□P25-01TS:  
The functions available are external test, lockout reset, auxiliary output and series connection.

## Installation Conditions

Detection Zone and Approach F3SJ-E F3SJ-B F3SJ-A

### WARNING

Install a protective structure so that the hazardous part of a machine can only be reached by passing through the sensor's detection zone. Install the sensors so that part of the person is always present in the detection zone when working in a machine's hazardous zones.

If a person is able to step into the hazardous zone of a machine and remain behind the F3SJ's detection zone, configure the system with an interlock function that prevents the machine from being restarted. Failure to do so may result in serious injury.

Install the interlock reset switch in a location that provides a clear view of the entire hazardous zone and where it cannot be activated from within the hazardous zone.

The F3SJ cannot protect a person from a projectile exiting the hazardous zone. Install protective cover(s) or fence(s).

### Right positions

The hazardous zone of a machine can be reached only by passing through the sensor's detection zone.



While working, a person is inside the sensor's detection zone.

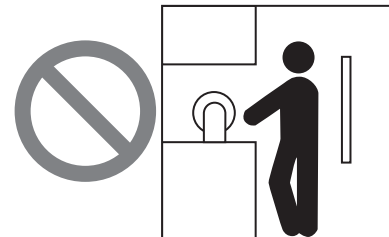


### Incorrect installation

It is possible to reach the hazardous zone of a machine without passing through the sensor's detection zone.

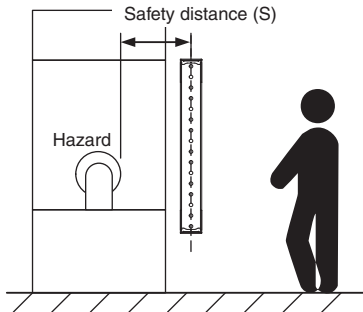


A person is between the sensor's detection zone and the hazardous zone of a machine.



**Safety Safety Distance** F3SJ-E F3SJ-B F3SJ-A

The safety distance is the distance that must be set between the F3SJ and a machine's hazardous part to stop the hazardous part before a person or object reaches it. The safety distance varies according to the standards of each country and the individual specifications of each machine. In addition, the calculation of the safety distance differs if the direction of approach is not vertical to the detection zone of the F3SJ. Always refer to relevant standards.



**WARNING**

**Make sure to secure the safety distance (S) between the F3SJ and the hazardous part. Failure to do so may prevent the machinery from stopping before a person reaches the hazardous part of the machinery, and result in serious injury.**

**Note:** The response time of a machine is the time period from when the machine receives a stop signal to when the machine's hazardous part stops. Measure the response time on the actual system. Also, periodically check that the response time of the machine has not changed.

**How to calculate the safety distance specified by International Standard ISO 13855 (European Standard EN ISO 13855) (Reference)**

Detection Zone Orthogonal to Direction of Approach

$S = K \times T + C \dots$  Formula (1)

- S: Safety distance
- K: Approach speed to the detection zone
- T: Total response time of the machine and F3SJ
- C: Additional distance calculated by the detection capability of the F3SJ

<System with a detection capability of 40 mm max.>

Use  $K = 2,000 \text{ mm/s}$  and  $C = 8 \times (d - 14 \text{ mm})$  in equation (1) for the calculation.

$S = 2,000 \text{ mm/s} \times (T_m + T_s) + 8 \times (d - 14 \text{ mm})$

- S = Safety distance (mm)
- $T_m$  = Machine's response time (s)
- $T_s$  = Response time of the F3SJ from ON to OFF (s)
- d = Size of F3SJ's detection capability (mm)

[Calculation example]

When  $T_m = 0.05 \text{ s}$ ,  $T_s = 0.01 \text{ s}$ , and  $d = 14 \text{ mm}$ :

$S = 2,000 \text{ mm/s} \times (0.05 \text{ s} + 0.01 \text{ s}) + 8 \times (14 \text{ mm} - 14 \text{ mm})$   
 $= 120 \text{ mm} \dots$  Formula (2)

If the result is less than 100 mm, use  $S = 100 \text{ mm}$ .

If the result exceeds 500 mm, use the following formula where  $K = 1,600 \text{ mm/s}$ .

$S = 1,600 \text{ mm/s} \times (T_m + T_s) + 8 \times (d - 14 \text{ mm}) \dots$  Formula (3)

If the result of this Formula (3) is less than 500 mm,

$S = 500 \text{ mm}$

<System with a detection capability larger than 40 mm>

Use  $K = 1,600 \text{ mm/s}$  and  $C = 8 \times (d - 850 \text{ mm})$  in equation (1) for the calculation.

$S = 1,600 \text{ mm/s} \times (T_m + T_s) + 850 \times (d - 14 \text{ mm}) \dots$  Formula (4)

- S = Safety distance (mm)
- $T_m$  = Machine's response time (s)
- $T_s$  = Response time of the F3SJ from ON to OFF (s)

[Calculation example]

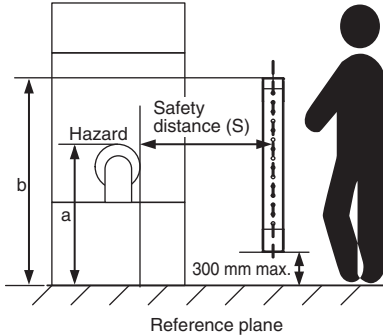
When  $T_m = 0.05 \text{ s}$ ,  $T_s = 0.01 \text{ s}$ :

$S = 1,600 \text{ mm/s} \times (0.05 \text{ s} + 0.01 \text{ s}) + 850 \text{ mm}$   
 $= 946 \text{ mm}$

# F3SJ-E/F3SJ-B/F3SJ-A

## Possible Circumventing by Reaching Over the Detection Zone

If access to the hazardous zone by reaching over the detection zone of vertically mounted F3SJ cannot be excluded, the height and the safety distance, S, of the F3SJ shall be determined. S shall be determined by comparison of the calculated values in *Detection Zone Orthogonal to Direction of Approach*. The greater value resulting from this comparison shall be applied.



$$S = (K \times T) + Cro \dots \text{Formula (5)}$$

- S: Safety distance
- K: Approach speed to the detection zone
- T: Total response time of the machine and F3SJ
- Cro: Approach distance based on the distance which personnel can move towards the hazardous zone of a machine by reaching over the detection zone. The distance is determined in the table below based on the height of the hazardous zone, a, and the height of the upper edge of the detection zone, b.

**Note:** Lower edge of the detection zone above 300 mm in relation to the reference plane does not offer sufficient protection against crawling below.

First, use  $K = 2,000 \text{ mm/s}$  in formula (5) for the calculation. If the result of this calculation is less than 100 mm, use  $S = 100 \text{ mm}$ . If the result exceeds 500 mm, use  $K = 1,600 \text{ mm/s}$  to recalculate it. If the result of the recalculation is less than 500 mm, use  $S = 500 \text{ mm}$ .

Height of hazardous zone, a	Height of upper edge of detection zone, b											
	900	1000	1100	1200	1300	1400	1600	1800	2000	2200	2400	2600
	Additional distance to hazardous zone, Cro											
2600	0	0	0	0	0	0	0	0	0	0	0	0
2500	400	400	350	300	300	300	300	300	250	150	100	0
2400	550	550	550	500	450	450	400	400	300	250	100	0
2200	800	750	750	700	650	650	600	550	400	250	0	0
2000	950	950	850	850	800	750	700	550	400	0	0	0
1800	1100	1100	950	950	850	800	750	550	0	0	0	0
1600	1150	1150	1100	1000	900	850	750	450	0	0	0	0
1400	1200	1200	1100	1000	900	850	650	0	0	0	0	0
1200	1200	1200	1100	1000	850	800	0	0	0	0	0	0
1000	1200	1150	1050	950	750	700	0	0	0	0	0	0
800	1150	1050	950	800	500	450	0	0	0	0	0	0
600	1050	950	750	550	0	0	0	0	0	0	0	0
400	900	700	0	0	0	0	0	0	0	0	0	0
200	600	0	0	0	0	0	0	0	0	0	0	0
0	0	0	0	0	0	0	0	0	0	0	0	0

- Note:**
1. Upper edge of the detection zone below 900 mm is not included since they do not offer sufficient protection against circumventing or stepping over.
  2. When determining the values of this table, it shall not be interpolated. If the known values a, b or Cro are between two values of this table, the greater safety distance shall be used.

### [Calculation example]

- T:  $T_m + T_s$  (s)
- $T_m$ : Machine's response time (s)
- $T_s$ : Response time of the F3SJ from ON to OFF (s)
- a: Height of machine hazardous zone (mm)
- b: Height of upper edge of detection zone (mm)

When  $T_m = 0.05 \text{ s}$ ,  $T_s = 0.01 \text{ s}$ ,  $a = 1,400 \text{ mm}$ ,  $b = 1,500 \text{ mm}$ :  
From the table above,  $Cro = 850 \text{ mm}$ . Since b is between 1,400 mm and 1,600 mm,  $b = 1,400 \text{ mm}$  which has the greater Cro value, shall be used.

$$S = 2,000 \text{ mm/s} \times (0.05 \text{ s} + 0.01 \text{ s}) + 850 \text{ mm} = 970 \text{ mm}$$

Since 970 mm is greater than 500 mm, use  $K = 1,600 \text{ mm/s}$  and recalculate it.

$$S = 1,600 \text{ mm/s} \times (0.05 \text{ s} + 0.01 \text{ s}) + 850 \text{ mm} = 946 \text{ mm}$$

Compare  $S = 946 \text{ mm}$  with the calculation in *Detection Zone Orthogonal to Direction of Approach*, and choose the larger value as the safety distance.

For the system with a detection capability of 40 mm max., the safety distance S is 946 mm since this is larger than  $S = 120 \text{ mm}$  calculated in the calculation example of *Detection Zone Orthogonal to Direction of Approach*.

For the system with a detection capability larger than 40 mm, the safety distance S is 946 mm since this is the same value as  $S = 946 \text{ mm}$  calculated in the calculation example of *Detection Zone Orthogonal to Direction of Approach*.

Detection Zone Parallel to Direction of Approach

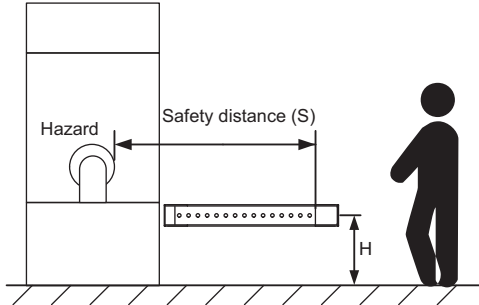
Use  $K = 1,600 \text{ mm/s}$  and  $C = (1200 - 0.4 \times H)$  in formula (1) for calculation. Note that  $C$  must not be less than 850 mm.

$$S = 1,600 \text{ mm/s} \times (T_m + T_s) + 1200 - 0.4 \times H$$

- $S$ : Safety distance (mm)
- $T_m$  = Machine's response time (s)
- $T_s$  = Response time of F3SJ from ON to OFF (s)
- $H$  = Installation height (mm)

Note that  $H$  must satisfy:

$$1000 \geq H \geq 15 (d - 50 \text{ mm}) \geq 0 \text{ mm}$$



Also, you must include a hazardous condition under which a person may go through under a detection zone if  $H$  exceeds 300 mm (200 mm for other purpose than industrial use) into risk assessment.

[Calculation example]

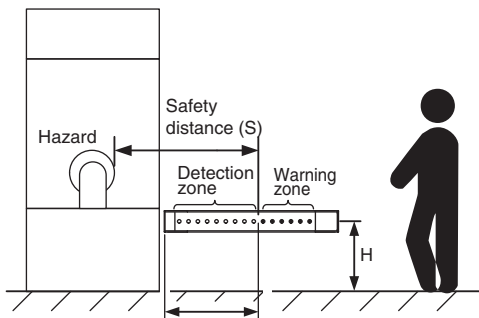
When  $T_m = 0.05 \text{ s}$ ,  $T_s = 0.01 \text{ s}$ , and  $d = 14 \text{ mm}$ :

$$S = 1,600 \text{ mm/s} \times (0.05 \text{ s} + 0.01 \text{ s}) + 1200 - 0.4 \times 500 \text{ mm} = 1096 \text{ mm}$$

When a warning zone is configured as in the figure, you must calculate  $L$ , a distance from an end of casing to a detection zone, using a formula below:

$$L = (\text{Total number of F3SJ beams} - \text{number of warning zone beams} - 1) \times P + 10$$

- $P$ : Beam Gap (mm)
- F3SJ-A□□□□P14/N14 . . . 9 mm
- F3SJ-A□□□□P20/N20 . . . 15 mm
- F3SJ-A□□□□P25/N25 . . . 20 mm
- F3SJ-A□□□□P30/N30 . . . 25 mm
- F3SJ-A□□□□P55/N55 . . . 50 mm



Distance  $L$  from casing end to detection zone

Refer to the F3SJ User's Manual for details. For manual number, check the "Related Manuals" at the end of the catalog.

**How to calculate the safety distance specified by American standard ANSI B11.19 (Ref.)**

If a person approaches the detection zone of the F3SJ orthogonally, calculate the safety distance as shown below.

$$S = K \times (T_s + T_c + T_r + T_{bm}) + D_{pf}$$

- $S$ : Safety distance
- $K$ : Approach speed to the detection zone

(the value recommended by OSHA standard is 1,600 mm/s)

Approach speed  $K$  is not specified in the ANSI B.11.19 standard. To determine the value of  $K$  to apply, consider all factors, including the operator's physical ability.

- $T_s$  = Machine's stop time (s)
- $T_s$  = Response time of the F3SJ from ON to OFF (s)
- $T_c$  = Machine control circuit's maximum response time required to activate its brake (s)
- $T_{bm}$  = Additional time (s)

If a machine has a brake monitor, " $T_{bm}$  = Brake monitor setting time - ( $T_s + T_c$ )". If it has no brake monitor, we recommend using 20% or more of ( $T_s + T_c$ ) as additional time.

- $D_{pf}$  = Additional distance

According to ANSI's formula,  $D_{pf}$  is calculated as shown below:  
 $D_{pf} = 3.4 \times (d - 7.0)$ : Where  $d$  is the detection capability of the F3SJ (unit: mm)

[Calculation example]

When  $K = 1,600 \text{ mm/s}$ ,  $T_s + T_c = 0.06 \text{ s}$ , brake monitor setting time = 0.1 s,  $T_r = 0.01 \text{ s}$ , and  $d = 14 \text{ mm}$ :

$$T_{bm} = 0.1 - 0.06 = 0.04 \text{ s}$$

$$D_{pf} = 3.4 \times (14 - 7.0) = 23.8 \text{ mm}$$

$$S = 1,600 \text{ mm/s} \times (0.06 \text{ s} + 0.01 \text{ s} + 0.04 \text{ s}) + 23.8 \text{ mm} = 199.8 \text{ mm}$$

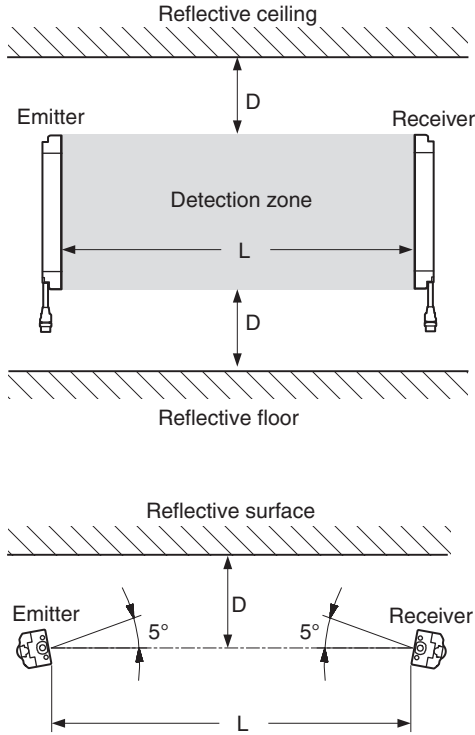
# F3SJ-E/F3SJ-B/F3SJ-A

## Distance from Reflective Surface F3SJ-E F3SJ-B F3SJ-A

### **WARNING**

Install the sensor system so that it is not affected by reflection from a reflective surface. Failure to do so may hinder detection, resulting in serious injury.

Install the sensor system at distance D or further from highly reflective surfaces such as metallic walls, floors, ceilings, or workpieces, as shown below.



Distance between emitter and receiver (operating range L)	Allowable installation distance D
For 0.2 to 3 m	0.13 m
For 3 m or more	$L/2 \times \tan 5^\circ = L \times 0.044$ (m)

## Mutual Interference Prevention F3SJ-E F3SJ-B F3SJ-A

### **WARNING**

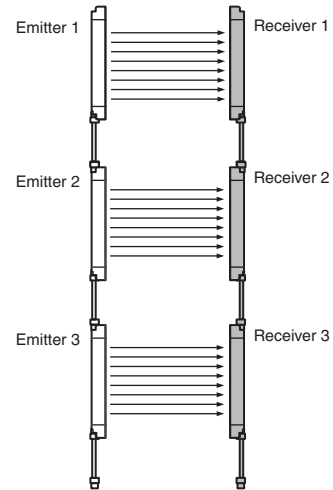
Do not use the sensor system with mirrors in a regressive reflective configuration. Doing so may hinder detection. It is possible to use mirrors to "bend" the detection zone to a 90-degree angle.

When using more than 1 set of F3SJ, install them so that mutual interference does not occur, such as by configuring series connections or using physical barriers between adjacent sets.

Mutual interference from other F3SJ is prevented in up to 3 sets without series connection.

### For series connection F3SJ-B F3SJ-A

Series connection can prevent mutual interference when multiple sensors are used. Up to 3 sets with 192 beam for F3SJ-B series, or up to 4 sets with 400 beams for F3SJ-A series can be series-connected. Emission of series-connected F3SJ is time-divided, ensuring safety without occurring mutual interference.

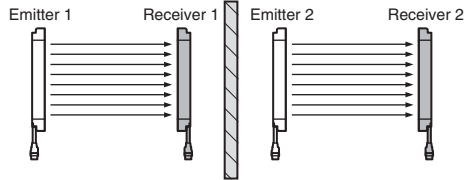




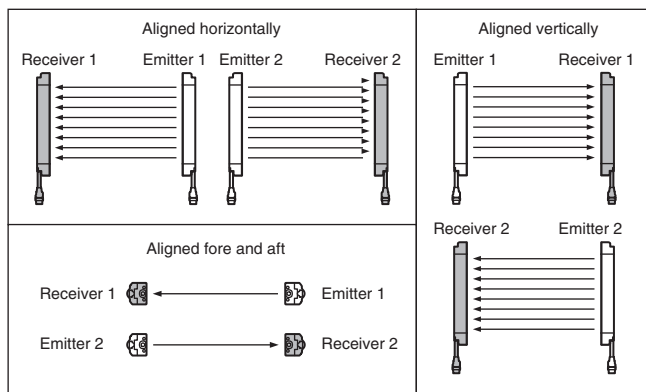
**No series connections** **F3SJ-B** **F3SJ-A**

Mutual interference is prevented in up to three sets, using interference light detection and cycle shift algorithm.  
 If 4 or more sets of F3SJs are installed and are not connected to each other, arrange them so that mutual interference does not occur.  
 If two sets are installed near each other, reflection from the surface of the F3SJ may cause mutual interference. When mutual interference occurs, the safety outputs are turned OFF momentarily or the F3SJ enters lockout state. Combining countermeasures 1 to 3 shown below is effective.

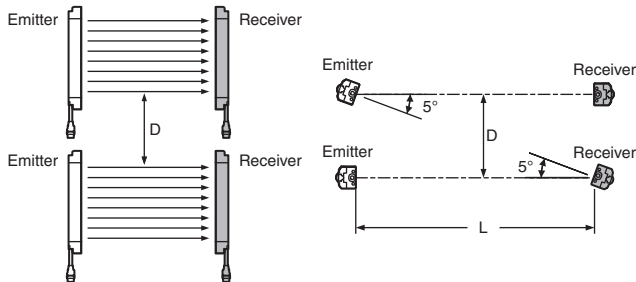
1. Install a physical barrier



2. Alternate the direction of emission (alternation)

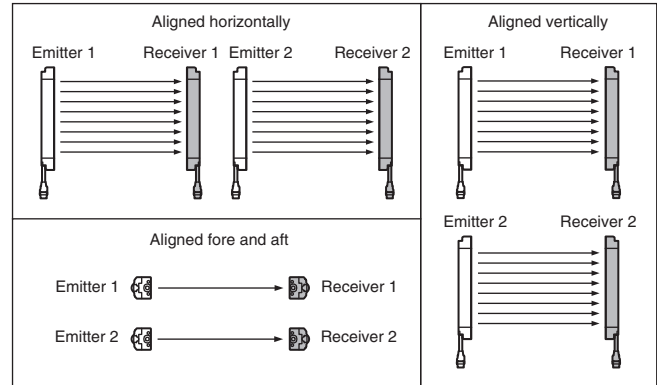


3. Keep sufficient distance between the F3SJs so that mutual interference does not occur



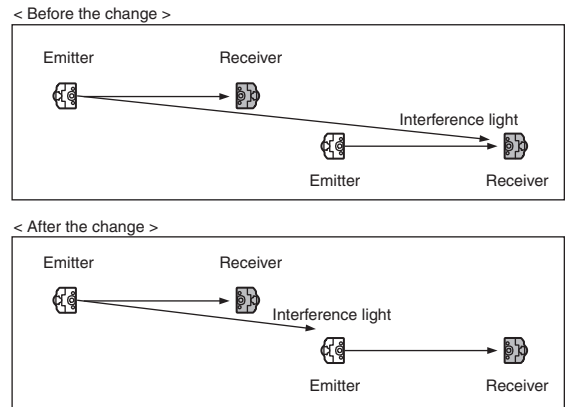
Distance between emitter and receiver (operating range L)	Allowable installation distance D
For 0.2 to 3 m	0.26 m
For 3 m or more	$L \times \tan 5^\circ = L \times 0.088 \text{ (m)}$

Installation shown below may cause mutual interference. When mutual interference occurs, the safety outputs are turned OFF momentarily or the F3SJ enters lockout state.



**F3SJ-A**

If two sets are installed near each other, reflection from the surface of the F3SJ may cause mutual interference. Use of F3SJ-A can improve the condition by shortening operating range with the setting tool.





# F3SJ-E/F3SJ-B/F3SJ-A

## Related Manuals

Man. No.	Model	Manual name
SCHG-718	F3SJ-A□□□□P□□	F3SJ-A□□□□P□□ (Ver.2) Safety Light Curtain User's Manual
SCHG-720	F3SJ-A□□□□P□□-TS	F3SJ-A□□□□P□□-TS Safety Light Curtain User's Manual
SCHG-722	F3SJ-A□□□□P□□-01TS	F3SJ-A□□□□P□□-01TS Safety Light Curtain User's Manual
SCHG-719	F3SJ-A□□□□N□□	F3SJ-A□□□□N□□(Ver.2) Safety Light Curtain User's Manual
SCHG-726	F3SJ-A□□□□N□□-01T	F3SJ-A□□□□N□□-01T(Ver.2) Safety Light Curtain User's Manual
SCHG-716	F3SJ-AM□P□□□	F3SJ-AM□P□□□(Ver.2) Multi-beam Safety Sensor User's Manual
SCHG-734	F3SJ-B□□□□P25-01TS	F3SJ-B□□□□P25-01TS Safety Light Curtain User's Manual
SCHG-733	F3SJ-E□□□□N25/B□□□□N25	F3SJ-E□□□□N25/B□□□□N25 Safety Light Curtain User's Manual
SCHG-732	F3SJ-E□□□□P25/B□□□□P25	F3SJ-E□□□□P25/B□□□□P25 Safety Light Curtain User's Manual
SCHG-712	F39-MC21	F39-MC21 F39-MC21 Setting Console Instruction Sheet
SCHG-736	F3SJ-B□□□□P25-02TS	F3SJ-B□□□□P25-02TS Safety Light Curtain User's Manual