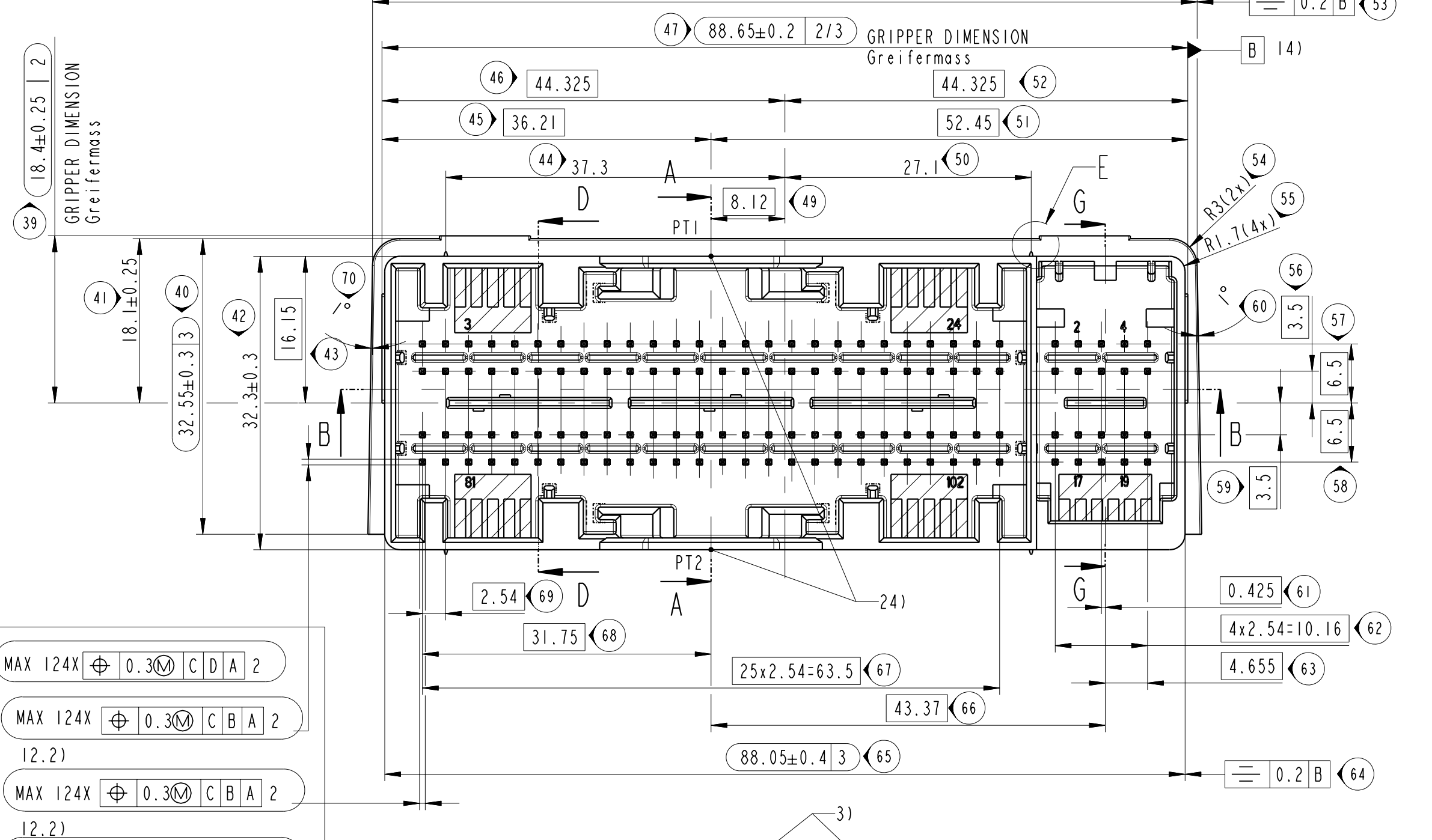
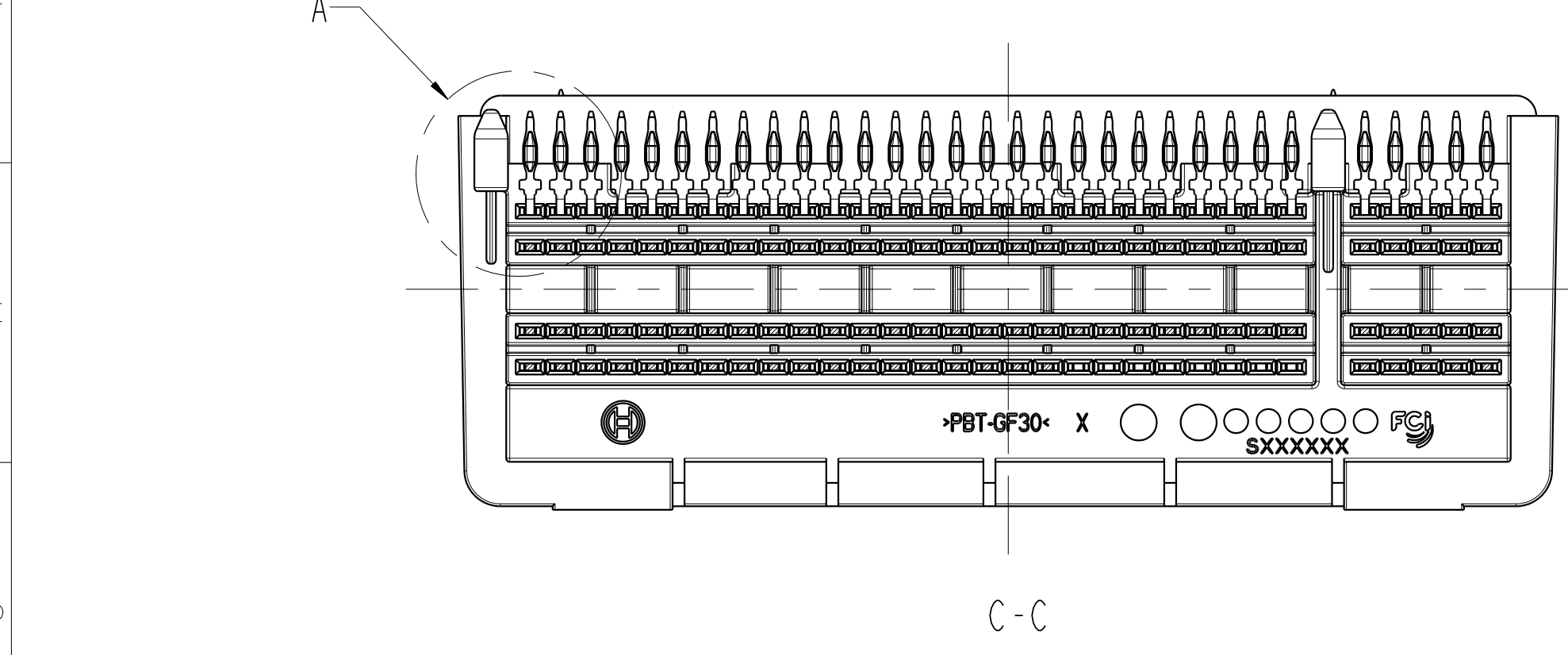
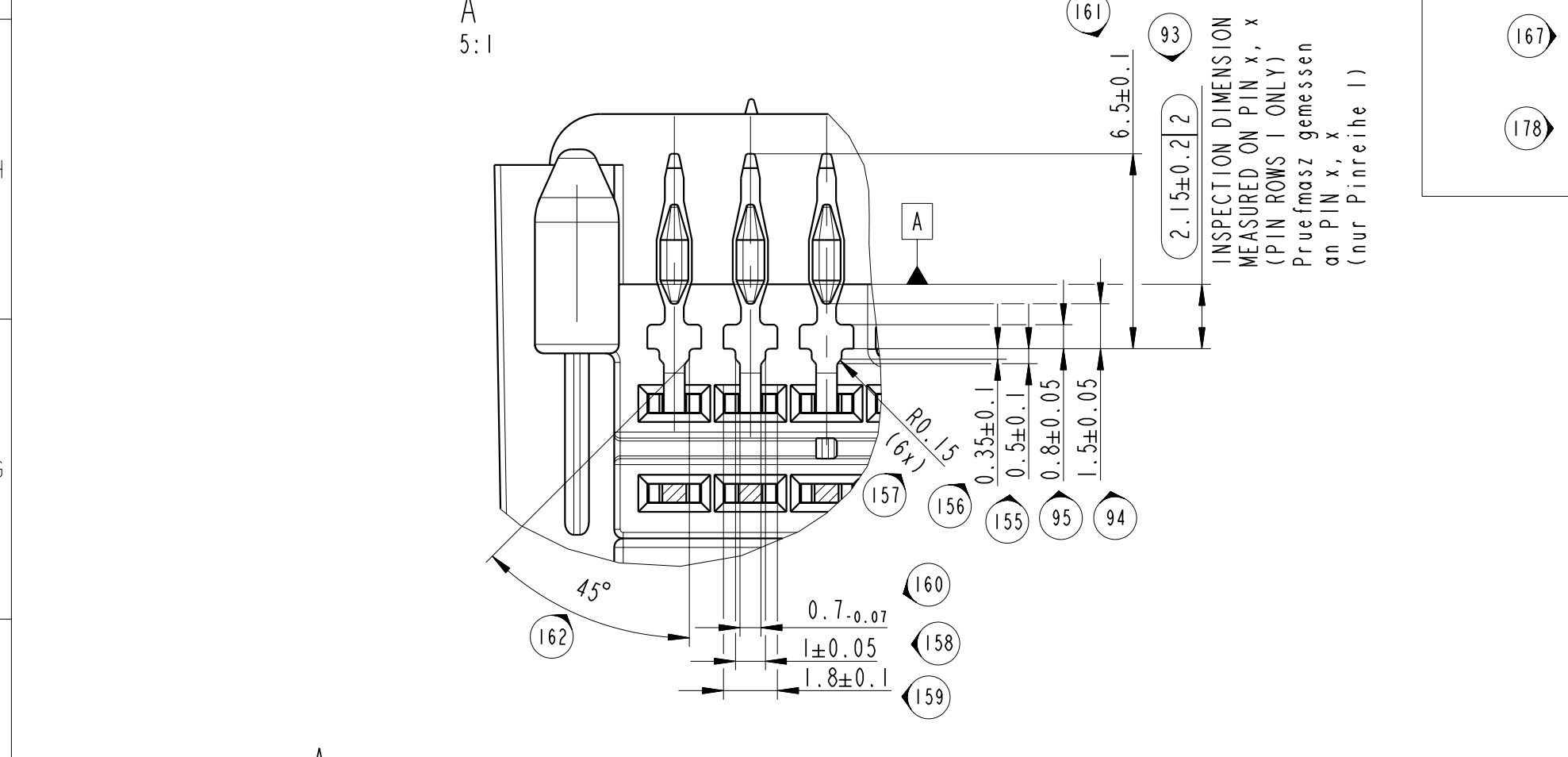
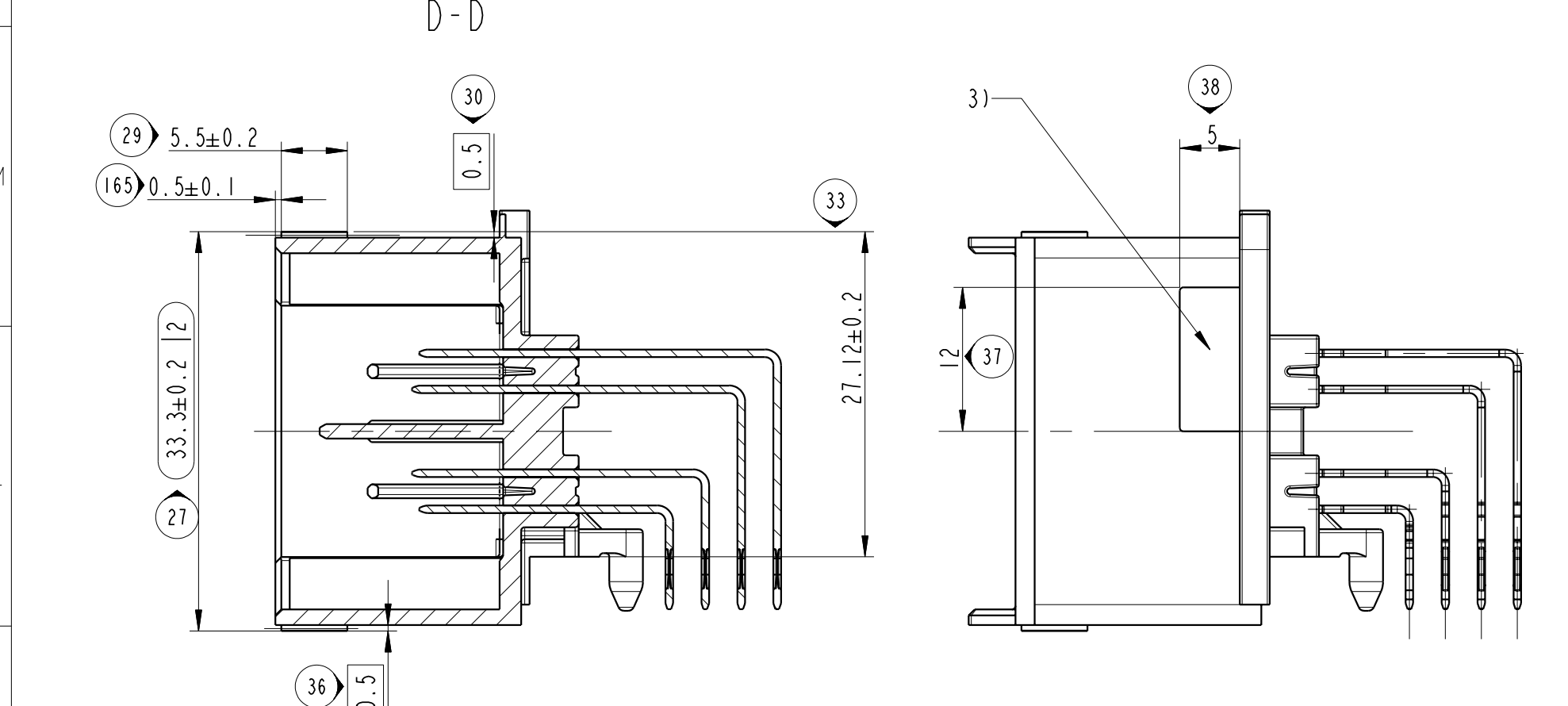


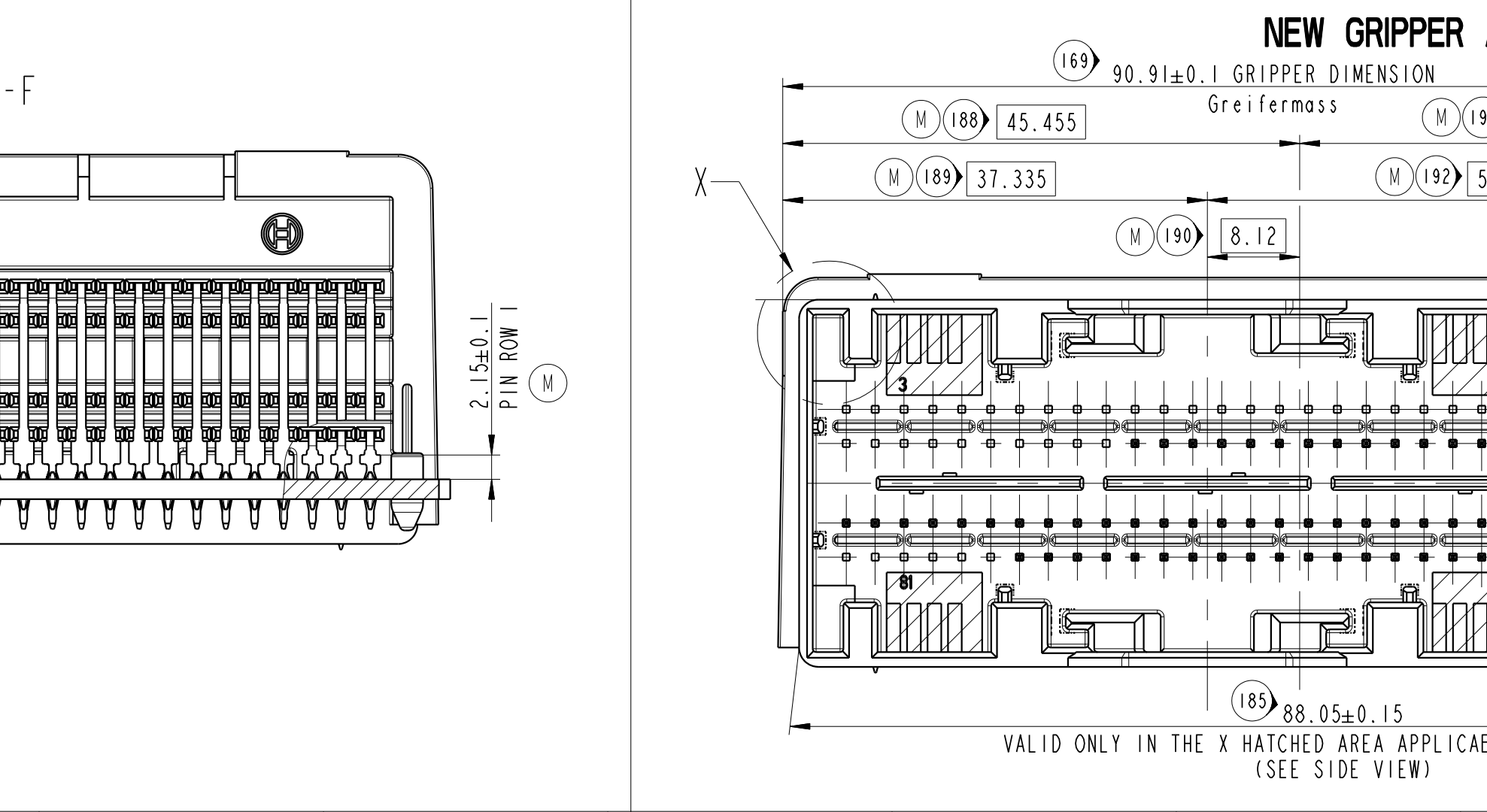
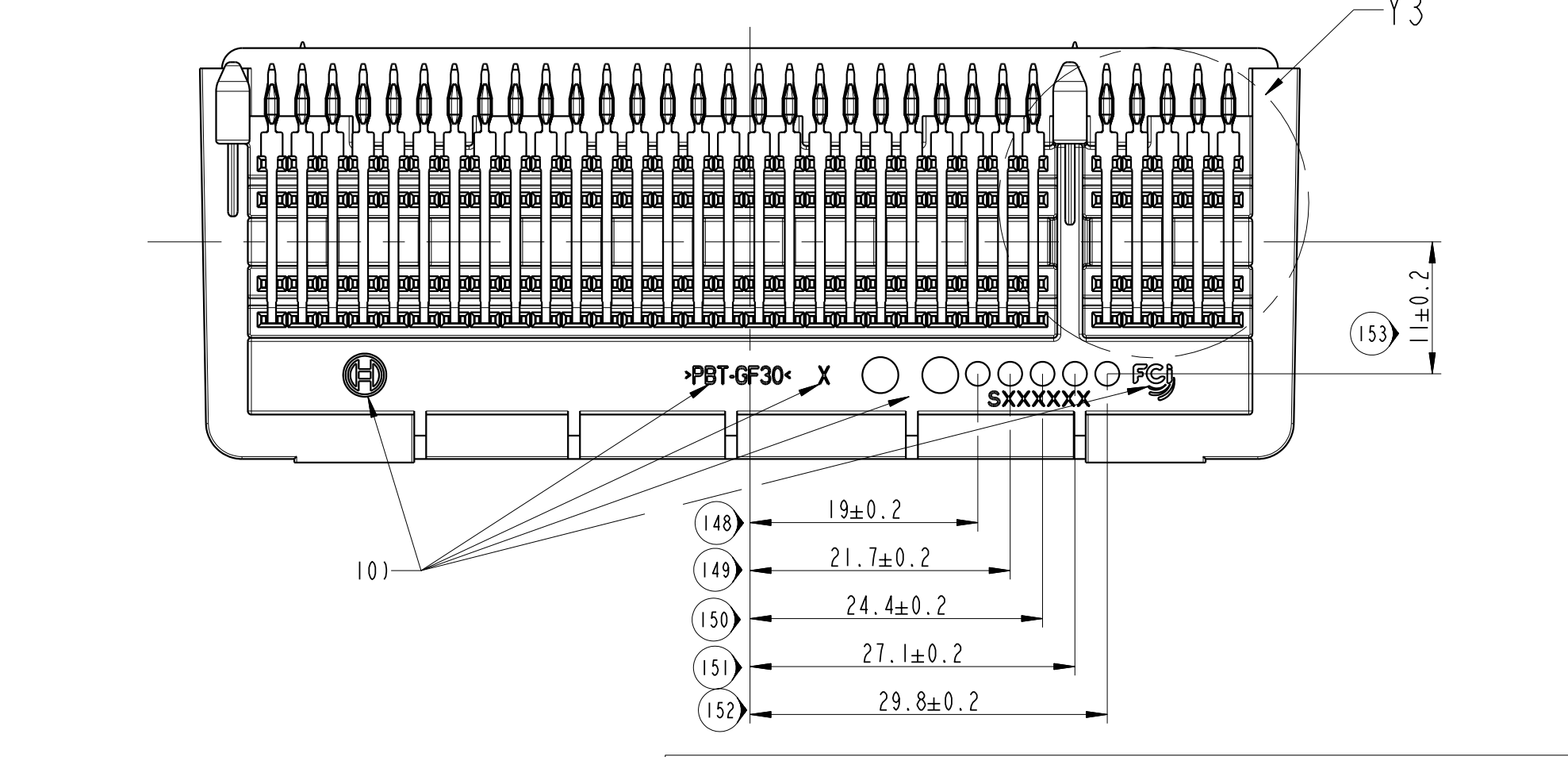
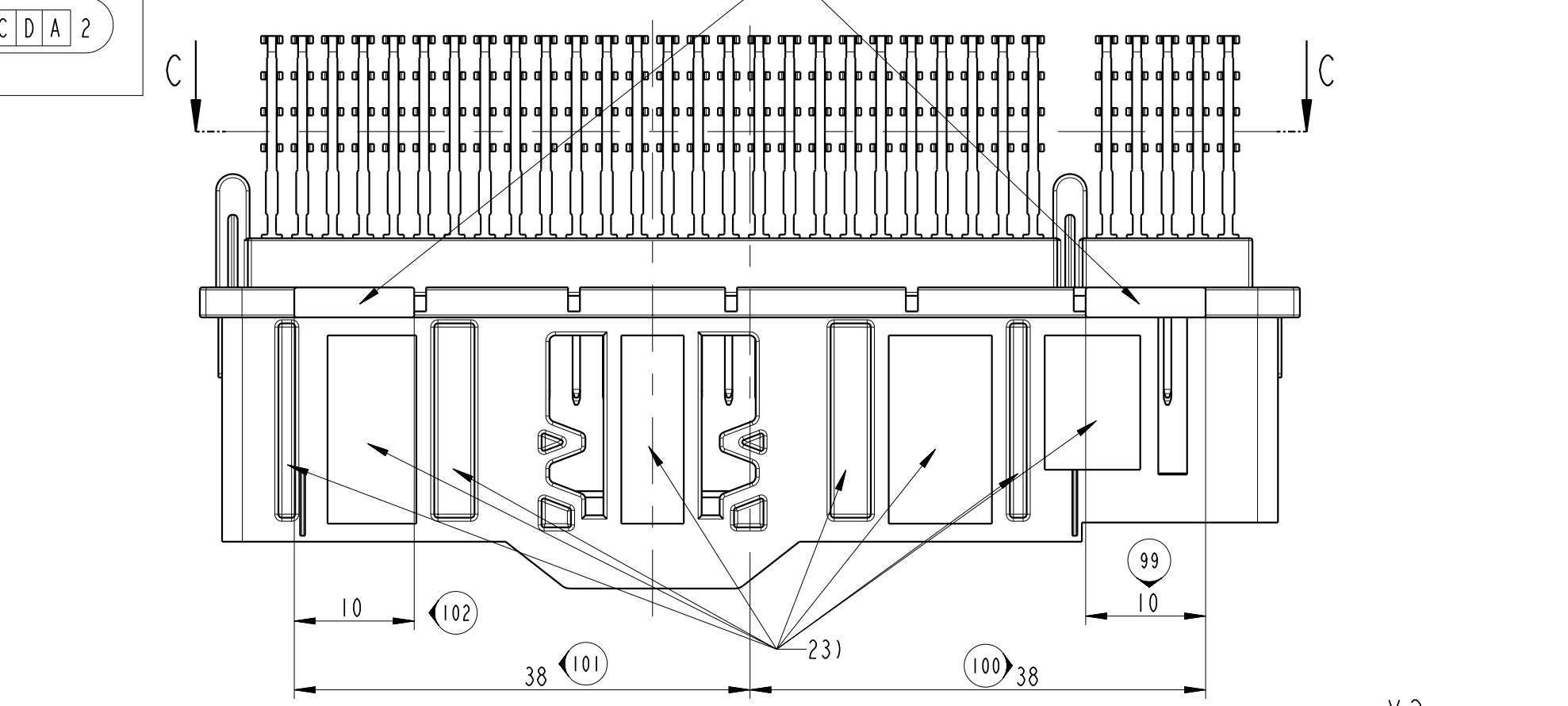
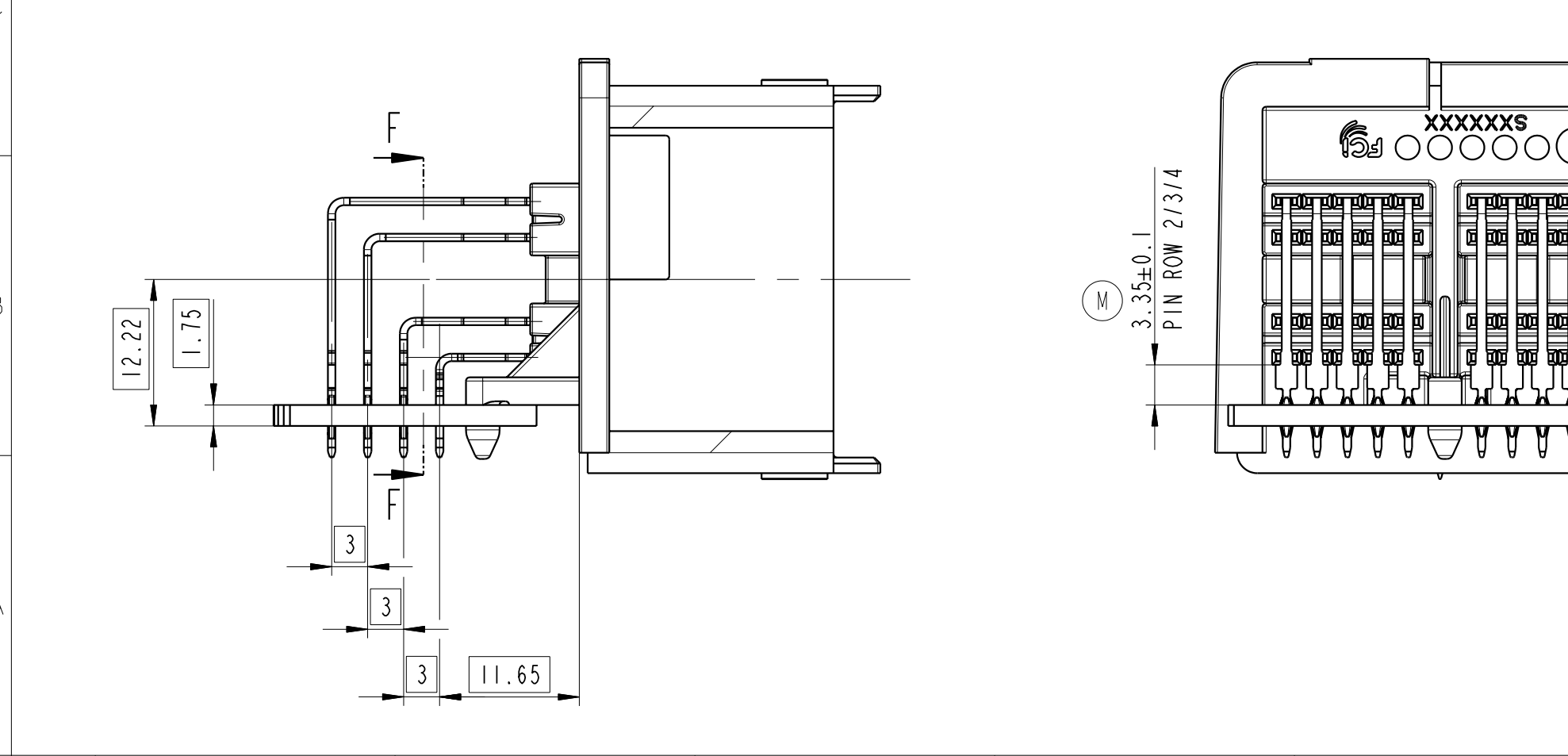
600 2 BE xxxx (ALL POSSIBLE CODINGS ARE SHOWN)



- 117) MAX 124X 0.30 C | D | A | 2
- 118) MAX 124X 0.30 C | B | A | 2
- 119) MAX 124X 0.30 C | B | A | 2
- 120) MAX 124X 0.30 C | D | A | 2



FOR INFORMATION ONLY  
THIS VIEWS SHOWS THE PINHEADER WITH PCB



NEW GRIPPER AREAS FOR VARIANT 6002BE0223, 6002BE0224, 6002BE0333 AND 6002BE0334

