

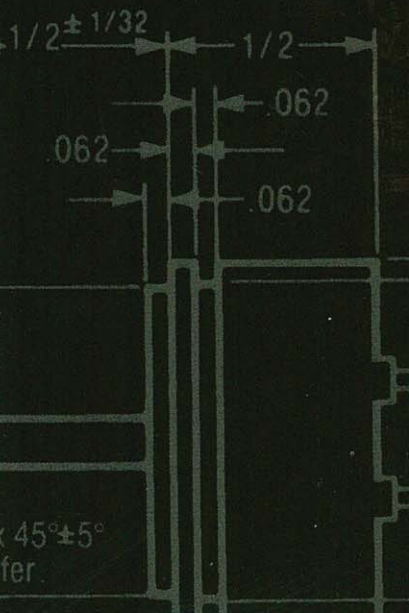
Standard Precision MKV Potentiometers

Honeywell

Position Measurement Sensor
F78S, F78C, F78B, F78E



SPACE AGE SENSORS FOR DOWN TO EARTH NEEDS



FEATURES

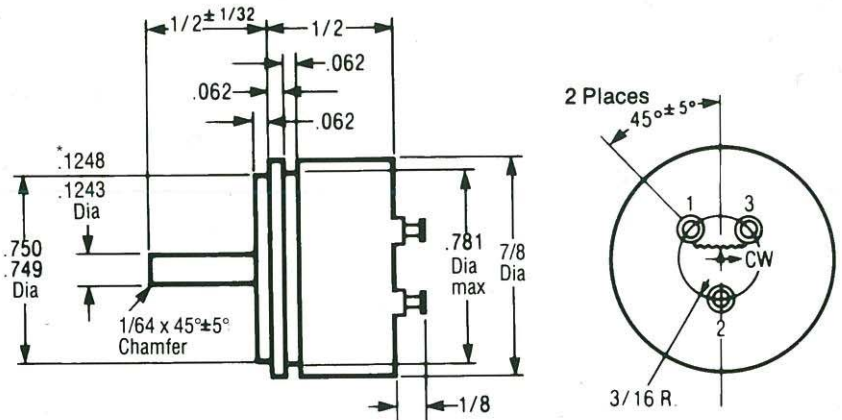
- NEI's conductive plastic RESISTOFILM*
- Precious metal contacts
- Stainless steel shafts
- Molded housings
- Solderable terminals
- Anodized aluminum mounting plates
- Stainless steel ball bearings (F78S only)

OPTIONS

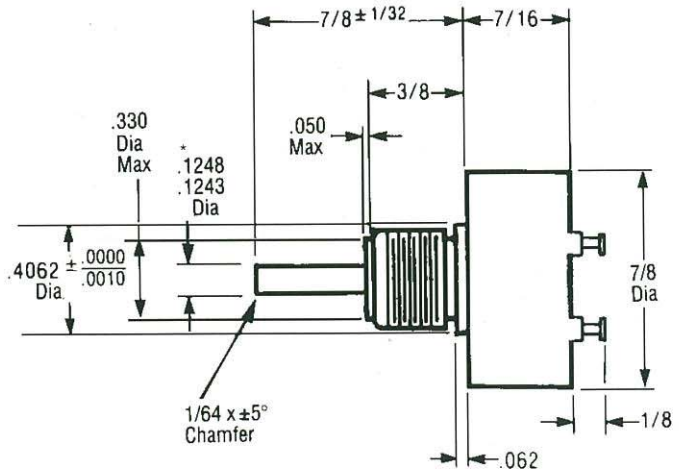
(CONTACT FACTORY)

- Shaft extension up to 2"
- Shaft flat, slot
- Electrical angle
- Low torque (F78S) down to 0.2 oz-in min
- High torque (F78B, F78E) up to 6 oz-in max
- Resistance tolerance to $\pm 5.0\%$
- Anti-rotation pin (F78B, F78E)

SERVO MOUNT MODELS-MKV



BUSHING MOUNT MODELS-MKV



Unless otherwise specified:

Decimal dimensions ± 0.005
Fractional dimensions $\pm 1/64$

*0.2498/0.2493 Diameter shaft available in MKV (except F78E)


TYPE NUMBER
F78S
F78C
F78B
F78E
Electrical Parameters

Independent Linearity-Standard	± 1.0%, ± 0.5% ± 0.25%	± 1.0%, ± 0.5%, ± 0.25%	± 1.0, ± 0.5%, ± 0.25%	± 1.0, ± 0.5%, ± 0.25%
Total Resistance (ohms) (Including Specials)	500 to 200K	500 to 200K	500 to 200K	500 to 200K
Resistance Tolerance - Standard	± 10%	± 10%	± 10%	± 10%
Theoretical Electrical Travel	340	340	340	340
Power Rating @70°C (watts)	1.0	1.0	1.0	1.0
Output Smoothness per MIL-R-39023	0.5%, 0.25%, 0.15%	0.5%, 0.25%, 0.15%	0.5%, 0.25%, 0.15%	0.5%, 0.25%, 0.15%
End Voltage (max) (% of total applied voltage)	1.0%	1.0%	1.0%	1.0%
D c Withstanding Voltage (RMS)	750	750	750	750
Insulation Resistance (min)	1000 megohms	1000 megohms	1000 megohms	1000 megohms
Resolution (virtually infinite)	yes	yes	yes	yes

Mechanical Parameters

Mechanical Travel	360°	360°	360°	360°
Mounting Type	servo	servo	bushing	bushing
Bearing Type	ball	sleeve	sleeve	sleeve
Mounting Thread	n/a	n/a	3/8-32 NEF	1/4-32 NEF
Stop Strength (nominal)	n/a	n/a	n/a	n/a
Weight (max)	16 grams	16 grams	16 grams	16 grams
Life Expectancy (cycles)	20,000,000	10,000,000	10,000,000	10,000,000
Torque (oz-in max)	0.5	1.0	1.0	1.0
End Play (max)	0.005	0.005	0.005	0.005
Shaft Diameter (inches)	1/8 or 1/4	1/8 or 1/4	1/8 or 1/4	1/8

Environmental Data

Shock	per MIL-STD-202	per MIL-STD-202	per MIL-STD-202	per MIL-STD-202
Vibration	per MIL-STD-202	per MIL-STD-202	per MIL-STD-202	per MIL-STD-202
Temperature Range (operational)	-65°C to + 125°C	0°C to + 125°C	0°C to + 125°C	0°C to + 125°C
Temperature Range (storage)	-65°C to + 125°C	-65°C to + 125°C	-65°C to + 125°C	-65°C to + 125°C