

(CIRCUIT NOS. FOR REF. SHOWN ON SIDES OF PART)

INDEX	TYPE	COLOR	SEALED/UNSEALED	FCI	CUSTOMER	YNA	FCI	CUSTOMER	YNA
G	LT BROWN		SEALED	54201043N	N/A	N/A	54201042	N/A	N/A
			SEALED	54201043	(C) 04688049AA	N/A	54201042	(C) 04688047AA	N/A
			SEALED	*54201063	N/A	N/A	N/A	N/A	N/A
			SEALED	*54201065N	N/A	N/A	N/A	N/A	N/A
			UNSEALED	54201005N	N/A	N/A	N/A	N/A	N/A
F	AQUA		UNSEALED	54201005	(C) 04687905	7283-4809-90	DIRECT CONNECT APPLICATION INDEX F		
			SEALED	54201015N	N/A	N/A	N/A	N/A	N/A
			SEALED	54201015	(C) 04687899	7283-4806-90	DIRECT CONNECT APPLICATION INDEX F		
E	DK GRN		UNSEALED	54201003N	N/A	N/A	DIRECT CONNECT APPLICATION INDEX E		
			UNSEALED	54201003	(C) 04687904	7283-4808-60	DIRECT CONNECT APPLICATION INDEX E		
			SEALED	54201013N	N/A	N/A	DIRECT CONNECT APPLICATION INDEX E		
			SEALED	54201013	(C) 04687898	7283-4805-60	DIRECT CONNECT APPLICATION INDEX E		
D	ORANGE		UNSEALED	54201004N	N/A	N/A	DIRECT CONNECT APPLICATION INDEX D		
			UNSEALED	54201004	(C) 04687903	7283-4807-50	DIRECT CONNECT APPLICATION INDEX D		
			SEALED	54201014N	N/A	N/A	DIRECT CONNECT APPLICATION INDEX D		
			SEALED	54201014	(C) 04687897	7283-4804-50	DIRECT CONNECT APPLICATION INDEX D		
			SEALED	54201011N	N/A	N/A	DIRECT CONNECT APPLICATION INDEX C		
			SEALED	54201011	(C) 04801117	7229-2829-40	DIRECT CONNECT APPLICATION INDEX C		
			SEALED	*54201023N	N/A	N/A	DIRECT CONNECT APPLICATION INDEX C		
			SEALED	*54201023	(C) 04801112	7223-1609-40	DIRECT CONNECT APPLICATION INDEX C		
			SEALED	F066900	N/A	N/A	DIRECT CONNECT APPLICATION INDEX C		
			SEALED	F071010	N/A	N/A	JOHN DEERE LITTLE FUSE LOAD CENTER		
D	LT GRN		UNSEALED	54201002N	N/A	N/A	54201008	N/A	N/A
			UNSEALED	54201002	(C) 04687902	7223-1109-60	54201008	(C) 04687911	7222-1009-60
			SEALED	54201012N	N/A	N/A	54201018	N/A	N/A
			SEALED	54201012	(C) 04687896	7283-4803-60	54201018	(C) 04687908	N/A
			SEALED	*54201062	N/A	N/A	DIRECT CONNECT APPLICATION INDEX C		
			SEALED	*54201064N	N/A	N/A	DIRECT CONNECT APPLICATION INDEX C		
			UNSEALED	54201001N	N/A	N/A	54201007	N/A	N/A
			UNSEALED	54201001	(C) 04687901	7283-4802-40	54201007	(C) 04687910	N/A
			SEALED	F961010	N/A	N/A	JOHN DEERE LITTLE FUSE LOAD CENTER		
			SEALED	54201010N	N/A	N/A	54201017	N/A	N/A
			SEALED	54201010	(C) 04687895	7283-4605-40	54201017	(C) 04687907	7282-4605-40
			SEALED	54201010	(C) 04687895	7283-4605-40	54201024	(C) 04688875	7282-4605-40
			SEALED	F956900	N/A	N/A	DIRECT CONNECT APPLICATION INDEX B		
			UNSEALED	54201000N	N/A	N/A	54201006	N/A	N/A
			UNSEALED	54201000	(C) 04687900	7283-4606-30	54201006	(C) 04687909	N/A
			SEALED	54201009	(C) 04687894	7223-1605-30	54201016	(C) 04687906	7222-7406-30
			SEALED	*54201022N	(C) 04707443	7283-4801-30	54201016	(C) 04687906	7222-7406-30
			SEALED	*54201054	(C) 04759589AA	7283-4901-30	54201016	(C) 04687906	7222-7406-30
			SEALED	54201054	(C) 04759589AA	7283-4901-30	54201058	(C) 56045040AA	N/A
			SEALED	54201058N	N/A	N/A	54201016	(C) 04687906	7222-7406-30
			SEALED	F856900	N/A	N/A	DIRECT CONNECT APPLICATION INDEX A		
			SEALED	54201051N	(C) 04707404	N/A	DIRECT CONNECT APPLICATION INDEX A		

(C) - CHRYSLER (F) - FORD  
FCI - FRAMATOME CONNECTORS INTERNATIONAL  
YNA - YAZAKI NORTH AMERICA  
(JD) - JOHN DEERE (LF) - LITTLE FUSE

FCI 52772 OR 52772 H SEE CHART  
VENDOR 52772 OR 52772 H CHRYSLER P/N

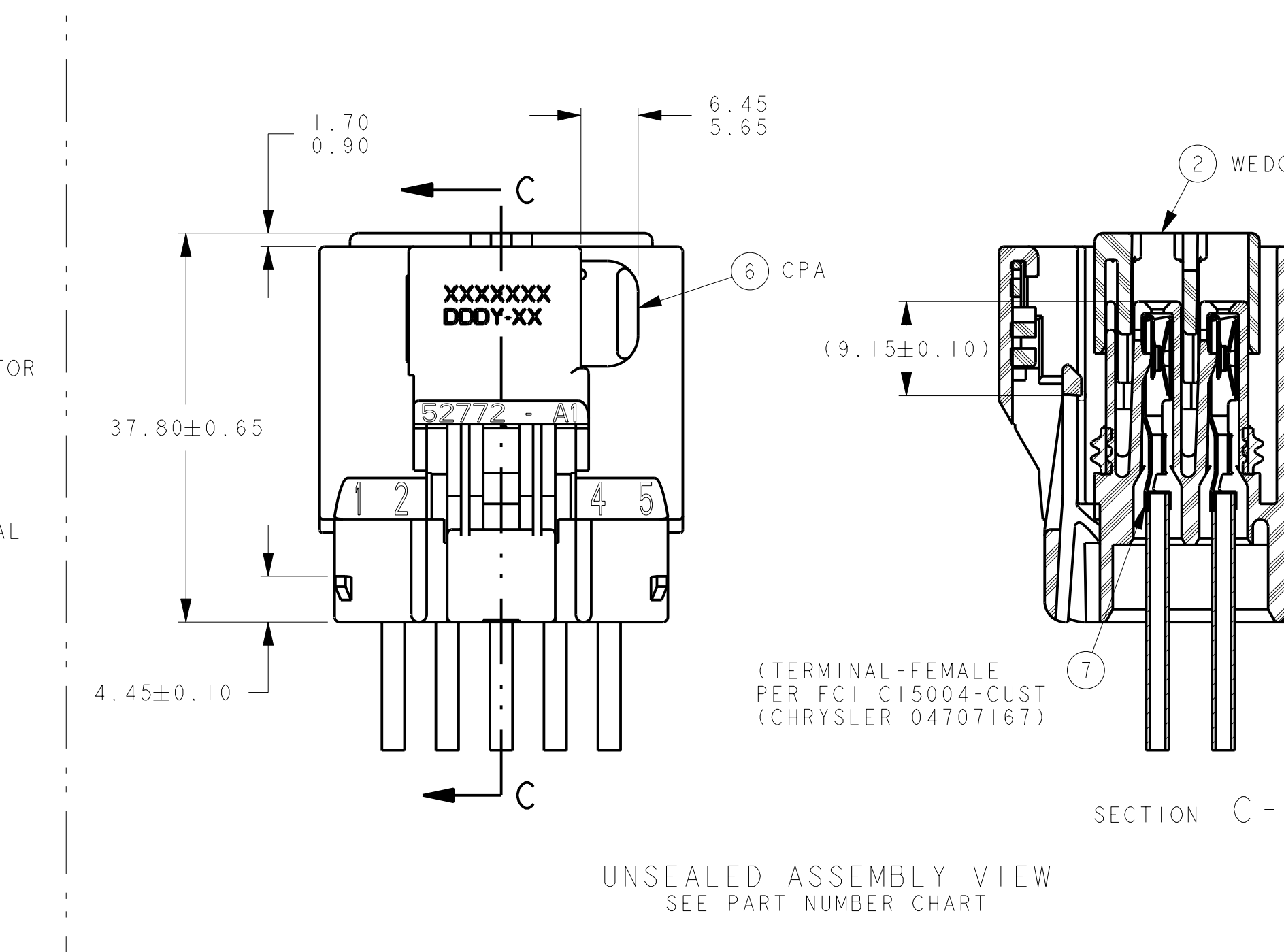
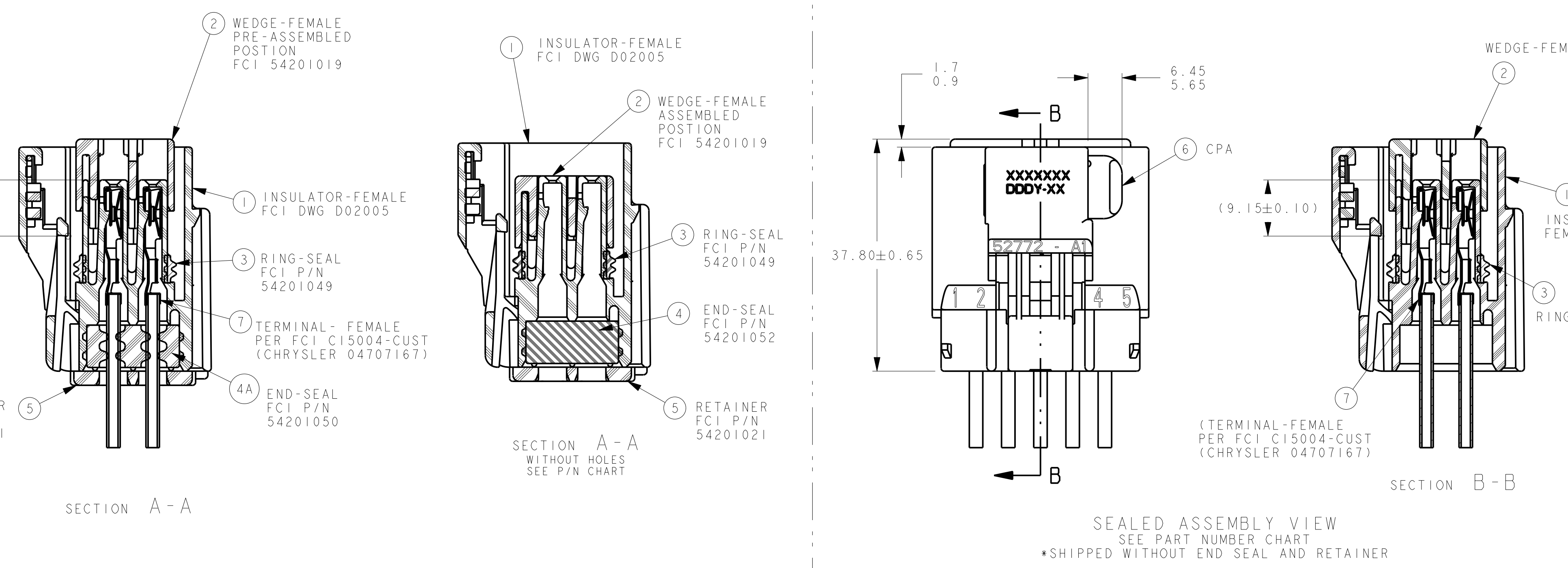
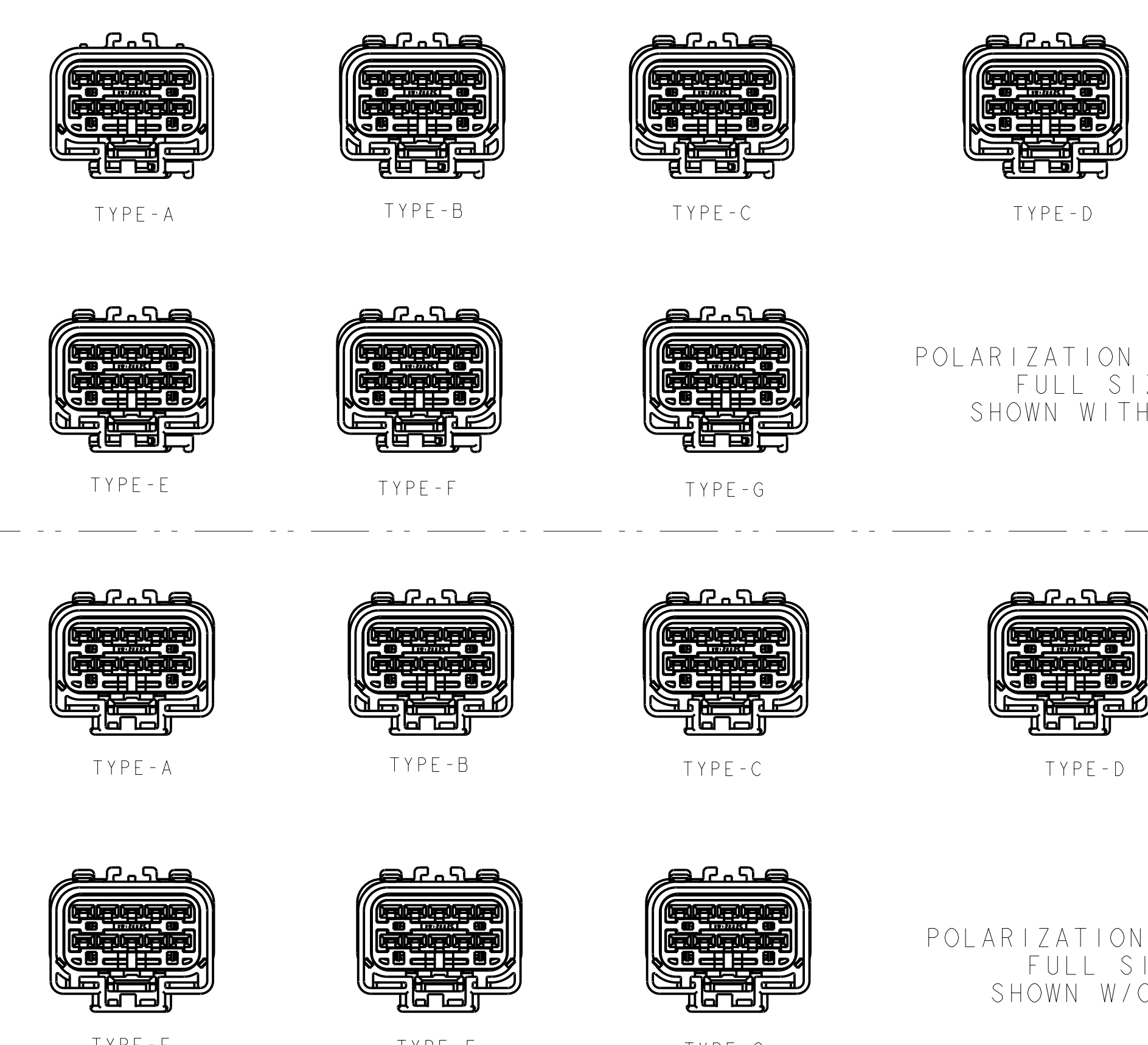
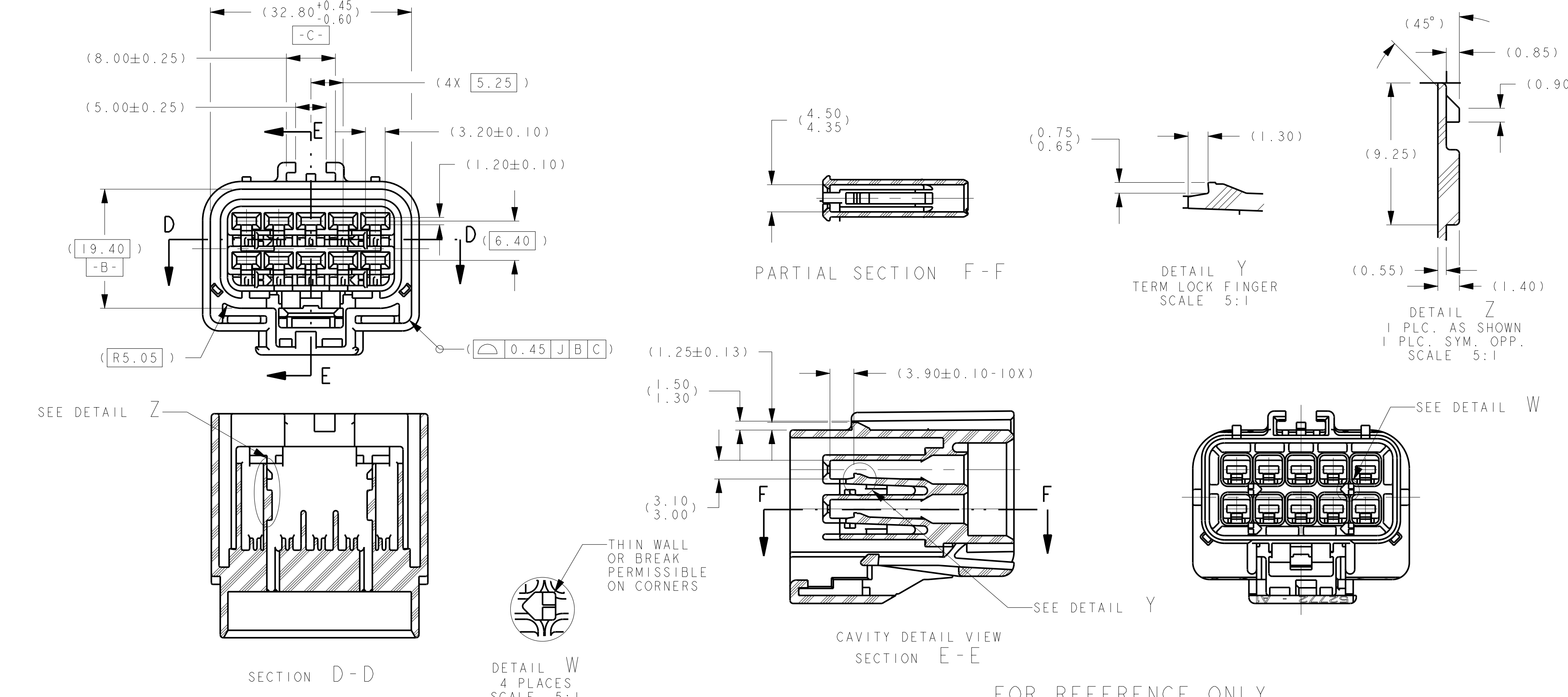


CHART - ASSEMBLY PART NUMBERS			
UNSEALED		SEALED	
W/O CPA	W/CPA	W/CPA	W/O CPA
FCI P/N'S (CUSTOMER P/N'S)	YNA P/N'S	YNA P/N'S	YNA P/N'S
54201000N	7283-4605-30	7283-4803-60	7283-4801-30
54201002N	7283-4602-40	7283-4803-60	7283-4608-30
54201004N	7283-4602-40	7283-4803-60	7283-4608-30
54201005N	7283-4602-40	7283-4803-60	7283-4608-30
54201006N	7283-4602-40	7283-4803-60	7283-4608-30
54201007N	7283-4602-40	7283-4803-60	7283-4608-30
54201008N	7283-4602-40	7283-4803-60	7283-4608-30
54201009N	7283-4602-40	7283-4803-60	7283-4608-30
54201010N	7283-4602-40	7283-4803-60	7283-4608-30
54201011N	7283-4602-40	7283-4803-60	7283-4608-30
54201012N	7283-4602-40	7283-4803-60	7283-4608-30
54201013N	7283-4602-40	7283-4803-60	7283-4608-30
54201014N	7283-4602-40	7283-4803-60	7283-4608-30
54201015N	7283-4602-40	7283-4803-60	7283-4608-30
54201016N	7283-4602-40	7283-4803-60	7283-4608-30
54201017N	7283-4602-40	7283-4803-60	7283-4608-30
54201018N	7283-4602-40	7283-4803-60	7283-4608-30
54201019N	7283-4602-40	7283-4803-60	7283-4608-30
54201020N	7283-4602-40	7283-4803-60	7283-4608-30
54201021N	7283-4602-40	7283-4803-60	7283-4608-30
54201022N	7283-4602-40	7283-4803-60	7283-4608-30
54201023N	7283-4602-40	7283-4803-60	7283-4608-30
54201024N	7283-4602-40	7283-4803-60	7283-4608-30
54201025N	7283-4602-40	7283-4803-60	7283-4608-30
54201026N	7283-4602-40	7283-4803-60	7283-4608-30
54201027N	7283-4602-40	7283-4803-60	7283-4608-30
54201028N	7283-4602-40	7283-4803-60	7283-4608-30
54201029N	7283-4602-40	7283-4803-60	7283-4608-30
54201030N	7283-4602-40	7283-4803-60	7283-4608-30
54201031N	7283-4602-40	7283-4803-60	7283-4608-30
54201032N	7283-4602-40	7283-4803-60	7283-4608-30
54201033N	7283-4602-40	7283-4803-60	7283-4608-30
54201034N	7283-4602-40	7283-4803-60	7283-4608-30
54201035N	7283-4602-40	7283-4803-60	7283-4608-30
54201036N	7283-4602-40	7283-4803-60	7283-4608-30
54201037N	7283-4602-40	7283-4803-60	7283-4608-30
54201038N	7283-4602-40	7283-4803-60	7283-4608-30
54201039N	7283-4602-40	7283-4803-60	7283-4608-30
54201040N	7283-4602-40	7283-4803-60	7283-4608-30
54201041N	7283-4602-40	7283-4803-60	7283-4608-30
54201042N	7283-4602-40	7283-4803-60	7283-4608-30
54201043N	7283-4602-40	7283-4803-60	7283-4608-30
54201044N	7283-4602-40	7283-4803-60	7283-4608-30
54201045N	7283-4602-40	7283-4803-60	7283-4608-30
54201046N	7283-4602-40	7283-4803-60	7283-4608-30
54201047N	7283-4602-40	7283-4803-60	7283-4608-30
54201048N	7283-4602-40	7283-4803-60	7283-4608-30
54201049N	7283-4602-40	7283-4803-60	7283-4608-30
54201050N	7283-4602-40	7283-4803-60	7283-4608-30
54201051N	7283-4602-40	7283-4803-60	7283-4608-30
54201052N	7283-4602-40	7283-4803-60	7283-4608-30
54201053N	7283-4602-40	7283-4803-60	7283-4608-30
54201054N	7283-4602-40	7283-4803-60	7283-4608-30
54201055N	7283-4602-40	7283-4803-60	7283-4608-30
54201056N	7283-4602-40	7283-4803-60	7283-4608-30
54201057N	7283-4602-40	7283-4803-60	7283-4608-30
54201058N	7283-4602-40	7283-4803-60	7283-4608-30
54201059N	7283-4602-40	7283-4803-60	7283-4608-30
54201060N	7283-4602-40	7283-4803-60	7283-4608-30
54201061N	7283-4602-40	7283-4803-60	7283-4608-30
54201062N	7283-4602-40	7283-4803-60	7283-4608-30
54201063N	7283-4602-40	7283-4803-60	7283-4608-30
54201064N	7283-4602-40	7283-4803-60	7283-4608-30
54201065N	7283-4602-40	7283-4803-60	7283-4608-30
54201066N	7283-4602-40	7283-4803-60	7283-4608-30
54201067N	7283-4602-40	7283-4803-60	7283-4608-30
54201068N	7283-4602-40	7283-4803-60	7283-4608-30
54201069N	7283-4602-40	7283-4803-60	7283-4608-30
54201070N	7283-4602-40	7283-4803-60	7283-4608-30
54201071N	7283-4602-40	7283-4803-60	7283-4608-30
54201072N	7283-4602-40	7283-4803-60	7283-4608-30
54201073N	7283-4602-40	7283-4803-60	7283-4608-30
54201074N	7283-4602-40	7283-4803-60	7283-4608-30
54201075N	7283-4602-40	7283-4803-60	7283-4608-30
54201076N	7283-4602-40	7283-4803-60	7283-4608-30
54201077N	7283-4602-40	7283-4803-60	7283-4608-30
54201078N	7283-4602-40	7283-4803-60	7283-4608-30
54201079N	7283-4602-40	7283-4803-60	7283-4608-30
54201080N	7283-4602-40	7283-4803-60	7283-4608-30

ITEM	(CUSTOMER P/N)	FCI P/N	PART NAME	MATERIAL
1	(C) 04687756	54201026	INSULATOR - FEMALE INDEX A; BLK	PA66 GF35
2	(C) 04687937	54201027	INSULATOR - FEMALE INDEX B; LT GRN	PA66 GF35
3	(C) 04687938	54201028	INSULATOR - FEMALE INDEX C; LT GRN	PA66 GF35
4	(C) 04801111	54201029	INSULATOR - FEMALE INDEX C; DK GREY	PA66 GF35
5	(C) 04687959	54201030	INSULATOR - FEMALE INDEX D; ORG	PA66 GF35
6	(C) 04687960	54201031	INSULATOR - FEMALE INDEX E; DK GRN	PA66 GF35
7	(C) 04687962	54201032	INSULATOR - FEMALE INDEX F; AQUA	PA66 GF35
8	(C) 04688048AA	54201033	INSULATOR - FEMALE INDEX G; LT BROWN	PA66 GF35
9	(C) 04687741	54201019	WEDGE FEMALE; ROYAL BLUE	PA66 GF35
10</				