

REVISIONS		
ISS	ZONE	DESCRIPTION\PER REQUEST\DATE

CONFIGURATION CONTROL:
 NO CHANGES PERMITTED TO DRAWING WITHOUT
 PPAP QUALIFIED CUSTOMER APPROVAL

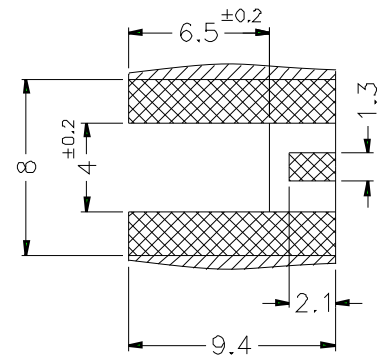
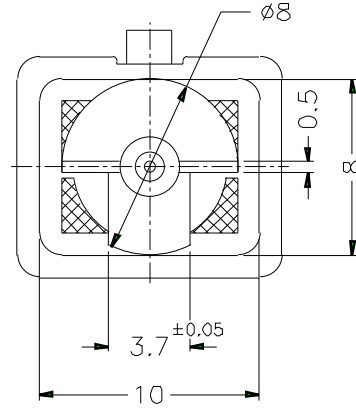
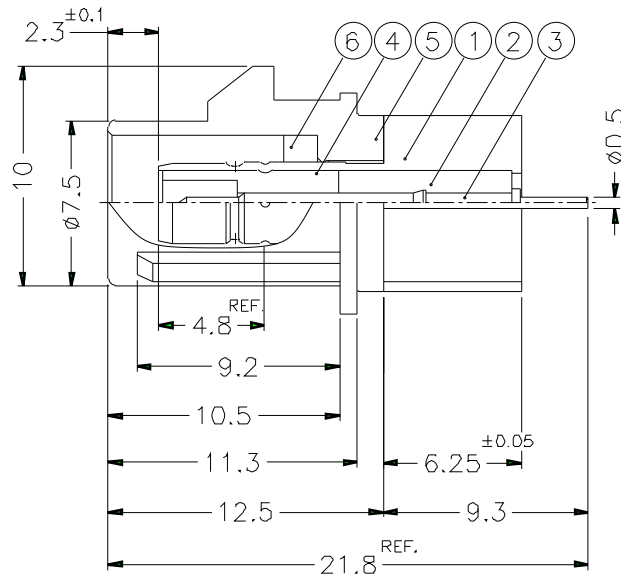
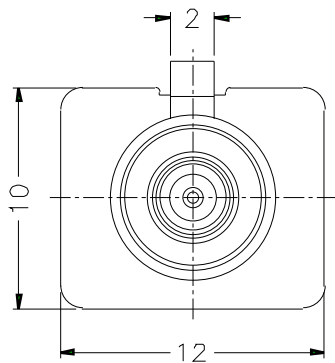


TABLE PCB MOUNTING HOLE

KEY CODING	D/N	P/N	LOCK COVER
A	FK1251AW-001-3GT30G-50	FA1-NASP-PCB-1	FKLC10201A
B	FK1251BW-001-3GT30G-50	FA1-NBSP-PCB-1	FKLC10202A
C	FK1251CW-001-3GT30G-50	FA1-NCSP-PCB-1	FKLC10203A
D	FK1251DW-001-3GT30G-50	FA1-NDSP-PCB-1	FKLC10204A
E	FK1251EW-001-3GT30G-50	FA1-NESP-PCB-1	FKLC10205A
F	FK1251FW-001-3GT30G-50	FA1-NFSP-PCB-1	FKLC10206A
G	FK1251GW-001-3GT30G-50	FA1-NGSP-PCB-1	FKLC10207A
H	FK1251HW-001-3GT30G-50	FA1-NHSP-PCB-1	FKLC10208A
I	FK1251IW-001-3GT30G-50	FA1-NISP-PCB-1	FKLC10209A
K	FK1251KW-001-3GT30G-50	FA1-NKSP-PCB-1	FKLC10210A
Z	FK1251ZW-001-3GT30G-50	FA1-NZSP-PCB-1	FKLC10211A

NOTES: FINISH (PLATING THICKNESS IN MICRO-INCHES)

- BRASS PER QQ-B-626, ALLOY 360, 1/2 H ; JIS H3250 C 3604BD OR EQUIVALENT
- GOLD PL. 30 MIN. THICK OVER NICKEL PL. 100 MIN. THICK OVER COPPER STRIKE
- GOLD PL. 3 MIN. THICK OVER NICKEL PL. 100 MIN. THICK OVER COPPER STRIKE
- TEFLON MIL-P-19468
- PBT(WITH 15% GLASS FIBER) PER CHANG CHUN GRADE 4115202 OR EQUIVALENT

DIMENSIONS ARE IN MILLIMETERS						PART NO.		TITLE	
6	RING	NOTE 1	NOTE 3	1	FKLR00101A	FA1-NXSP-PCB-1		Amphenol Danbury,CT,USA-Tainan,Taiwan-Shenzhen,China	
5	LOCK COVER	NOTE 5		1	SEE TABLE	APPROVED	DATE	TITLE	
4	INSULATOR	NOTE 4	NATURAL	1	SMB2071A1-2T-50		10-16-01'	FAKRA EDGE CARD PCB MOUNT PLUG	
3	CONTACT PIN	NOTE 1	NOTE 2	1	SMB125100-003-3	CHECKED	DATE	DRAWING NO.	
2	INSULATOR	NOTE 4	NATURAL	1	SMB125100-003-2T-50		10-16-01'	KJ-FK1251XX-001-3GT30G-50	
1	BODY	NOTE 1	NOTE 3	1	FK1251CW-001-1	DRAWN	DATE	FILE NO.	
UNLESS OTHERWISE SPECIFIED TOLERANCES 0.5-6 = ±0.2 6-30 = ±0.4 30-120 = ±0.6 120-315 = ±1 315-1000 = ±1.6 1000-2000 = ±2.4						ANGELA		F:\DWG\FK\FA1\NXSP\PCB\1	
NO.	DESCRIPTION	MATERIAL	FINISH	Q'TY	DRAWING NO.	SCALE	3/1	ISSUE	1