

OSS-RS

~11° spot beam optimized for Osram Golden Dragon+. Assembly with white holder.

SPECIFICATION:

Dimensions	21.6 x 21.6 mm
Height	13.9 mm
Fastening	tape
ROHS compliant	yes ⓘ

MATERIALS:

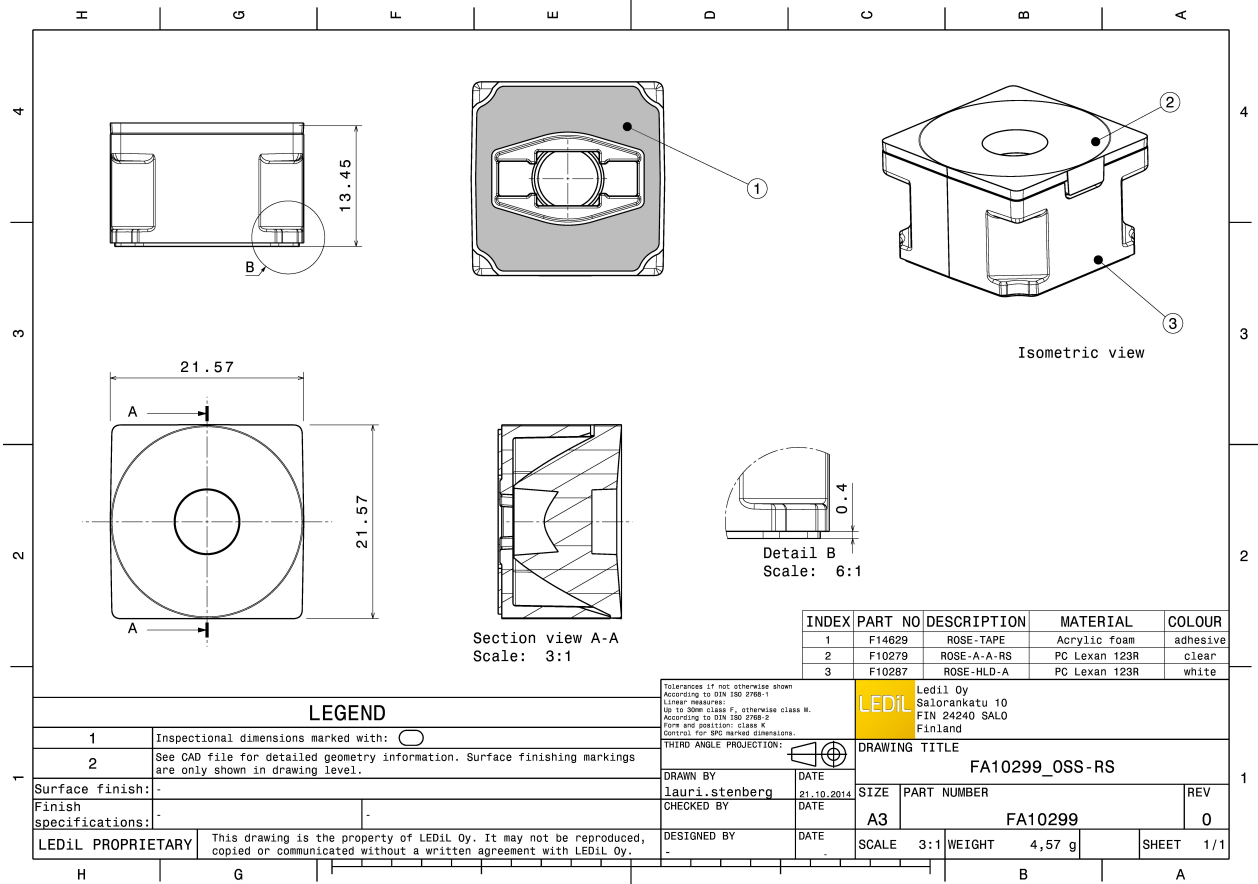
Component	Type	Material	Colour	Finish
ROSE-A-A-RS	Single lens	PC	clear	
ROSE-HLD-A	Holder	PC	white	
ROSE-TAPE	Tape	Acrylic foam	black	

ORDERING INFORMATION:

Component		Qty in box	MOQ	MPQ	Box weight (kg)
FA10299_OSS-RS	Single lens	2304	288	144	12.3
» Box size:					



LEDiL



See also our general installation guide: www.ledil.com/installation_guide

OPTICAL RESULTS (MEASURED):

OSRAM
Opto Semiconductors

LED	Golden Dragon+
FWHM / FWTM	7.0° / 15.0°
Efficiency	90 %
Peak intensity	29.6 cd/lm
LEDs/each optic	1
Light colour	White
Required components:	

OPTICAL RESULTS (SIMULATED):



LED	LUXEON 5050 Square LES
FWHM / FWTM	17.0° / 39.0°
Efficiency	93 %
Peak intensity	6.1 cd/lm
LEDs/each optic	1
Light colour	White
Required components:	

