

## NIS83-MX-W

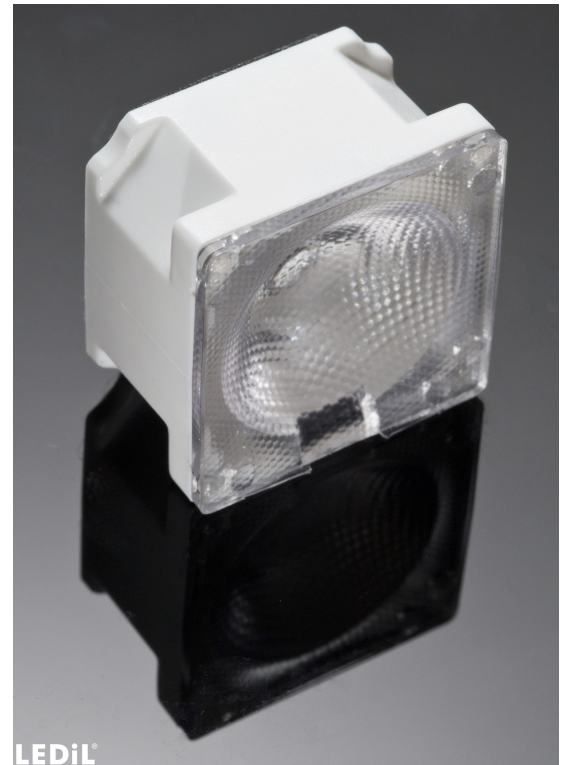
~50° wide beam optimized for Nichia NS6x83.  
Assembly with white holder.

### SPECIFICATION:

Dimensions	21.6 x 21.6 mm
Height	13.5 mm
Fastening	tape
ROHS compliant	yes ⓘ

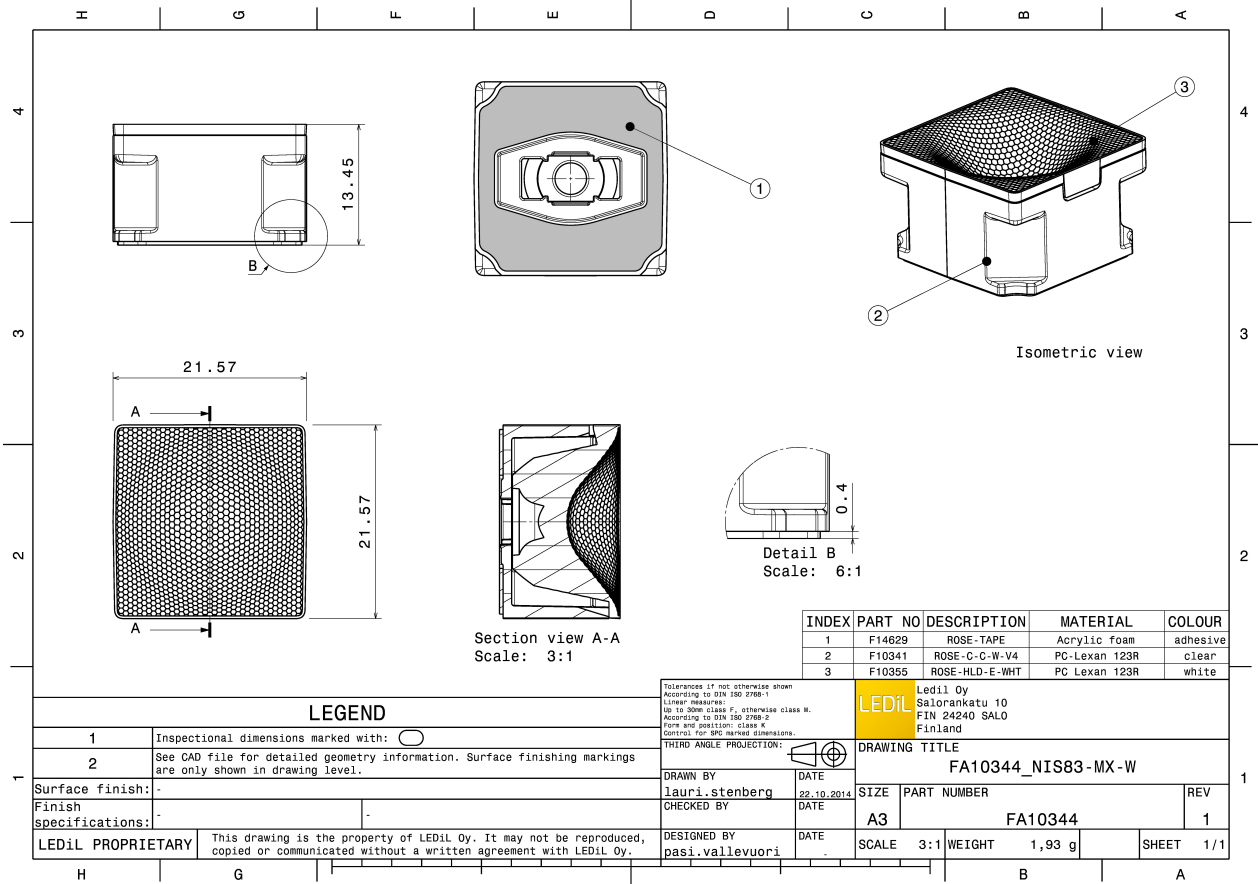
### MATERIALS:

Component	Type	Material	Colour	Finish
ROSE-C-C-W-V4	Single lens	PC	clear	
ROSE-HLD-E-WHT	Holder	PC	white	
ROSE-TAPE	Tape	Acrylic foam	black	



### ORDERING INFORMATION:

Component		Qty in box	MOQ	MPQ	Box weight (kg)
FA10344_NIS83-MX-W	Single lens	2304	288	144	10.1
» Box size:					



See also our general installation guide: [www.ledil.com/installation\\_guide](http://www.ledil.com/installation_guide)

## OPTICAL RESULTS (MEASURED):



LED	MX-6
FWHM / FWTM	36.0°
Efficiency	84 %
LEDs/each optic	1
Light colour	White
Required components:	

## OPTICAL RESULTS (SIMULATED):



LED	XT-E
FWHM / FWTM	44.0° / 69.0°
Efficiency	88 %
Peak intensity	1.5 cd/lm
LEDs/each optic	1
Light colour	White
Required components:	

