

TINA-M

~30° medium beam optimized for Osram Golden Dragon+. Assembly with holder and installation tape.

SPECIFICATION:

Dimensions	Ø 16.1 mm
Height	10.1 mm
Fastening	tape
ROHS compliant	yes ⓘ

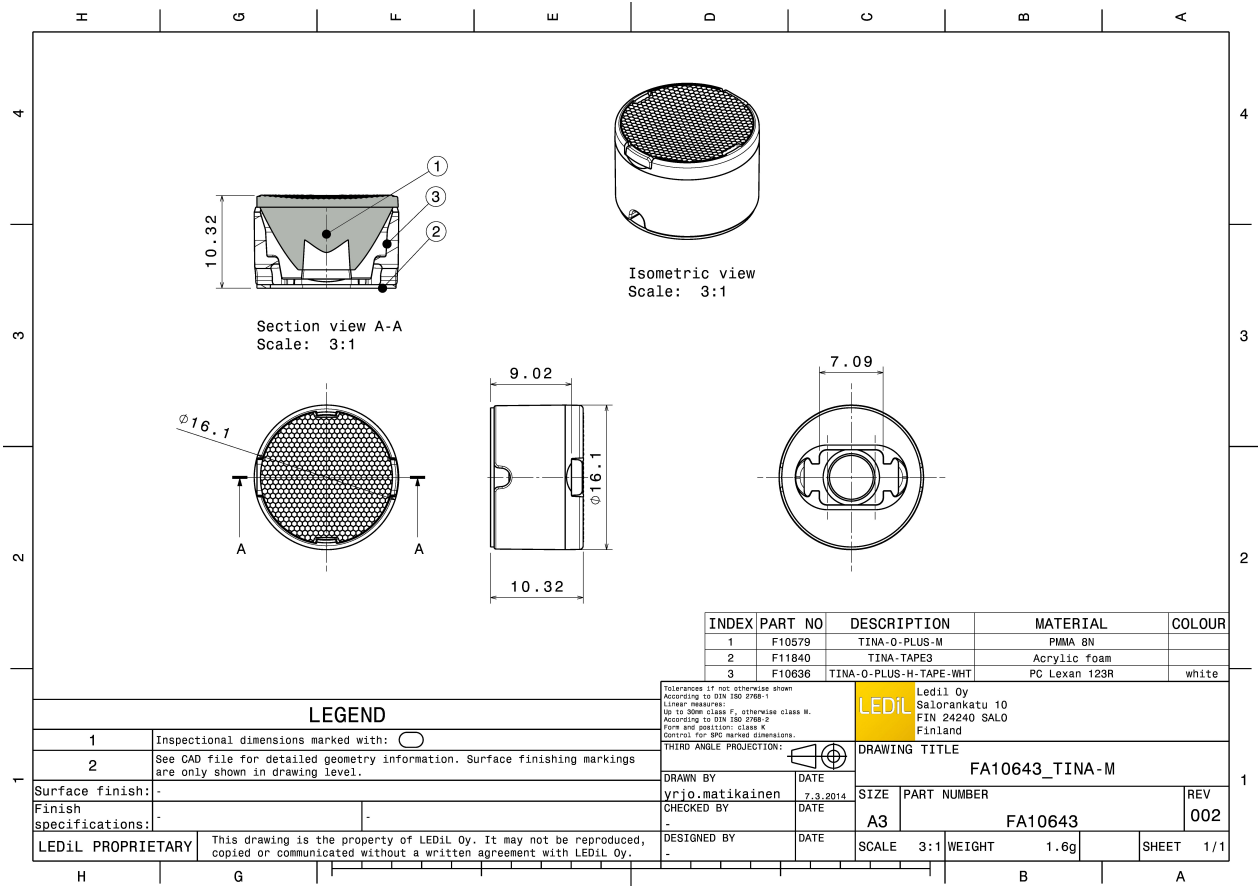


MATERIALS:

Component	Type	Material	Colour	Finish
TINA-O-PLUS-M	Single lens	PMMA	clear	
TINA-O-PLUS-H-TAPE-WHT	Holder	PC	white	
TINA-TAPE3	Tape	Acrylic foam	black	

ORDERING INFORMATION:

Component		Qty in box	MOQ	MPQ	Box weight (kg)
FA10643_TINA-M	Single lens	2016	288	144	4.0
» Box size:					



See also our general installation guide: www.ledil.com/installation_guide

OPTICAL RESULTS (MEASURED):

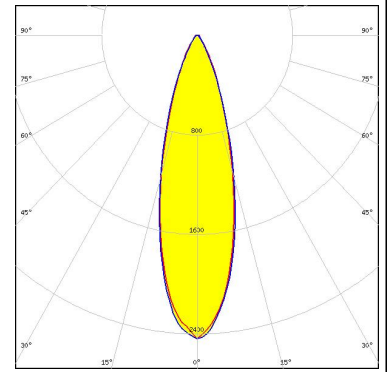
OSRAM
Opto Semiconductors

LED	Golden Dragon+
FWHM / FWTM	30.0° / 58.0°
Efficiency	92 %
Peak intensity	3.2 cd/lm
LEDs/each optic	1
Light colour	White
Required components:	

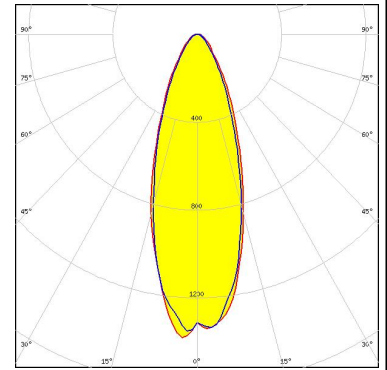
OPTICAL RESULTS (SIMULATED):



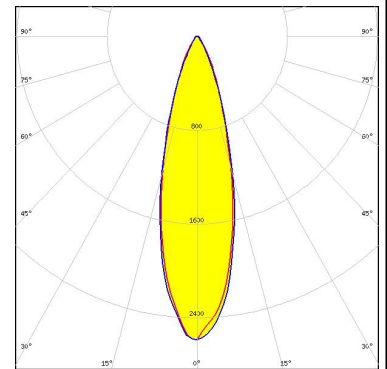
LED XP-L HI
 FWHM / FWTM 29.0° / 58.0°
 Efficiency 88 %
 Peak intensity 2.5 cd/lm
 LEDs/each optic 1
 Light colour White
 Required components:



LED LUXEON 5050 Square LES
 FWHM / FWTM 35.0° / 76.0°
 Efficiency 82 %
 Peak intensity 1.4 cd/lm
 LEDs/each optic 1
 Light colour White
 Required components:



LED OSOLON Boost HX (KW CULPM1.TG)
 FWHM / FWTM 28.0° / 57.0°
 Efficiency 87 %
 Peak intensity 2.6 cd/lm
 LEDs/each optic 1
 Light colour White
 Required components:



LED SFH 4715AS
 FWHM / FWTM 28.0° / 58.0°
 Efficiency 87 %
 LEDs/each optic 1
 Light colour IR
 Required components:

