

## LC1-RS

~9.6° spot beam optimized for CREE XR-E. 16.5 mm high assembly with installation tape.

### SPECIFICATION:

Dimensions	Ø 21.6 mm
Height	16.5 mm
Fastening	tape
ROHS compliant	yes ⓘ

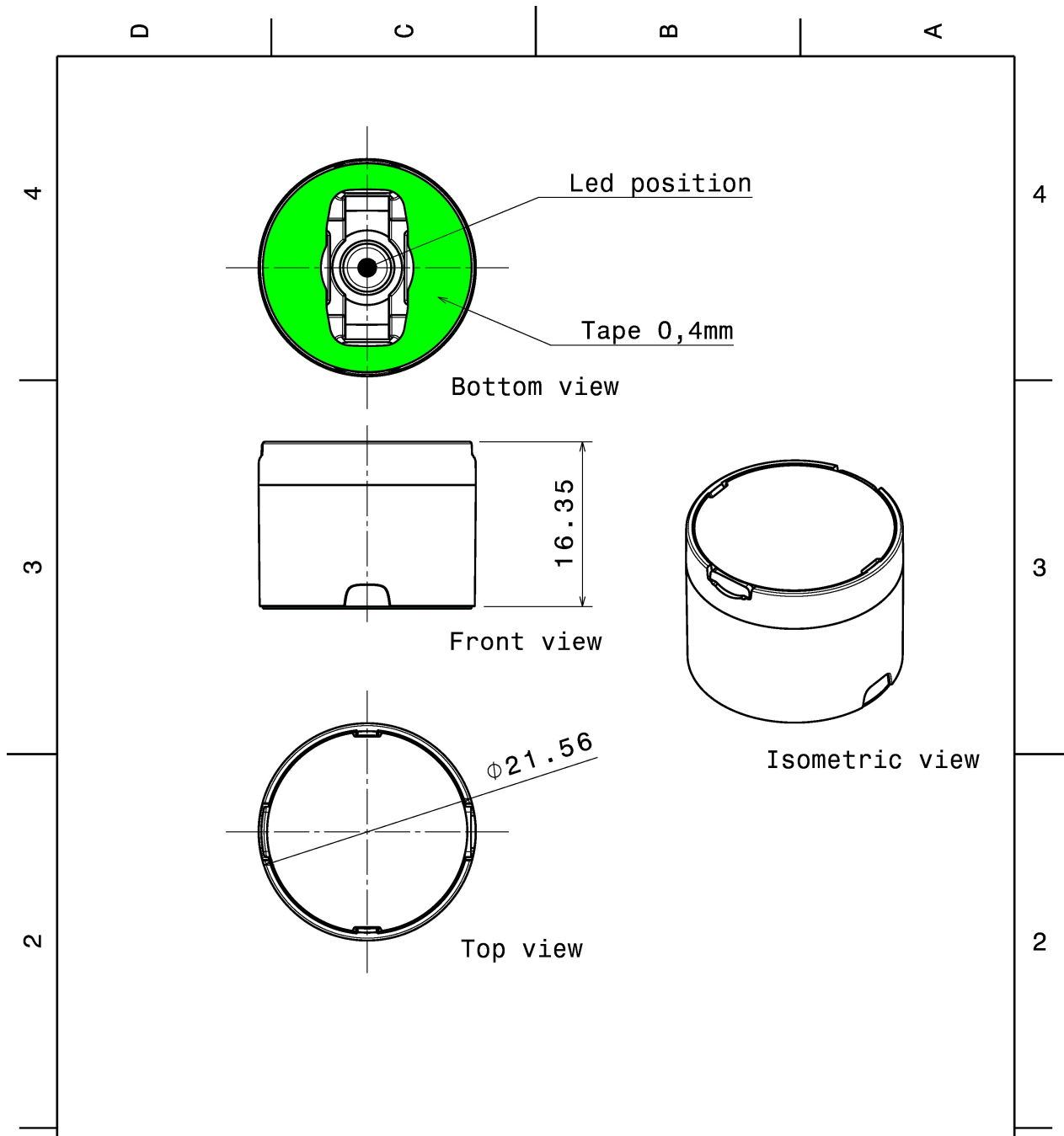


### MATERIALS:

Component	Type	Material	Colour	Finish
LC1-RS	Single lens	PMMA	clear	
LC-LH1-TAPE-BLK	Holder	PC	black	
LEILA-TAPE	Tape	PET tape 0,2mm	black	

### ORDERING INFORMATION:

Component		Qty in box	MOQ	MPQ	Box weight (kg)
FA10653_LC1-RS	Single lens	2016	288	144	11.0
» Box size:					



<p>Tolerances if not otherwise shown According to DIN ISO 2768-1 Linear measures: Up to 30mm class M, otherwise class C. According to DIN ISO 2768-2 Form and position: class L</p>			Ledil Oy Salorankatu 10 FIN 24240 SALO Finland	
	THIRD ANGLE PROJECTION:		DRAWING TITLE <b>Datasheet_LC1-RS</b>	
	This drawing is the property of LEDiL Oy. It may not be reproduced, copied or communicated without a written agreement with LEDiL Oy."		SIZE <b>A4</b>	PART NUMBER <b>FA10653</b>
		SCALE <b>2:1</b>	WEIGHT -	SHEET <b>1/1</b>

See also our general installation guide: [www.ledil.com/installation\\_guide](http://www.ledil.com/installation_guide)

## OPTICAL RESULTS (MEASURED):



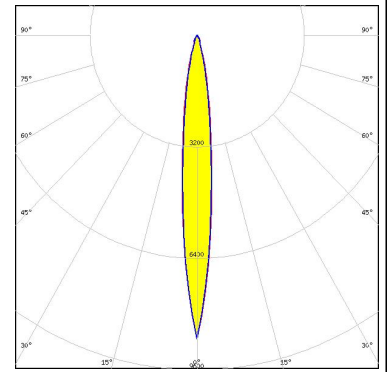
LED	XR-E
FWHM / FWTM	6.0°
Efficiency	%
LEDs/each optic	1
Light colour	White

Required components:

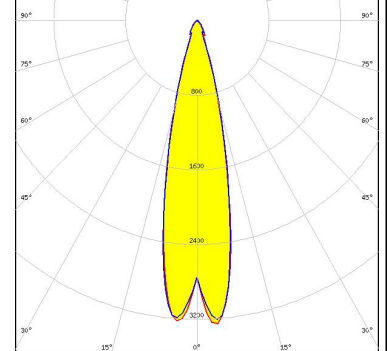
#### OPTICAL RESULTS (SIMULATED):



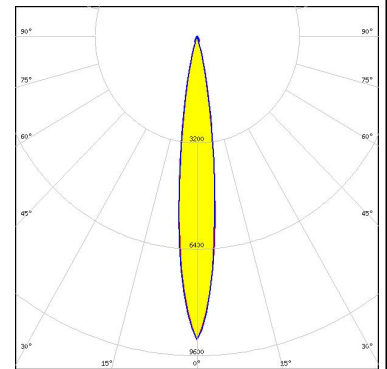
LED MX-6  
 FWHM / FWTM 12.0° / 30.0°  
 Efficiency 83 %  
 Peak intensity 8.7 cd/lm  
 LEDs/each optic 1  
 Light colour White  
 Required components:



LED XHP50  
 FWHM / FWTM 24.0° / 40.0°  
 Efficiency 76 %  
 Peak intensity 3.3 cd/lm  
 LEDs/each optic 1  
 Light colour White  
 Required components:



LED XM-L  
 FWHM / FWTM 14.0° / 28.0°  
 Efficiency 80 %  
 Peak intensity 9.1 cd/lm  
 LEDs/each optic 1  
 Light colour White  
 Required components:



LED XP-G3  
 FWHM / FWTM 12.0° / 26.0°  
 Efficiency 77 %  
 Peak intensity 10 cd/lm  
 LEDs/each optic 1  
 Light colour White  
 Required components:

### OPTICAL RESULTS (SIMULATED):



LED	LUXEON CZ
FWHM / FWTM	6.0° / 14.0°
Efficiency	80 %
Peak intensity	41.7 cd/lm
LEDs/each optic	1
Light colour	Red
Required components:	

