

LXP-D

~14° diffused spot beam optimized for CREE XP-E. 14.7 mm high assembly with installation tape.

SPECIFICATION:

Dimensions	Ø 21.6 mm
Height	14.7 mm
Fastening	tape
ROHS compliant	yes ⓘ

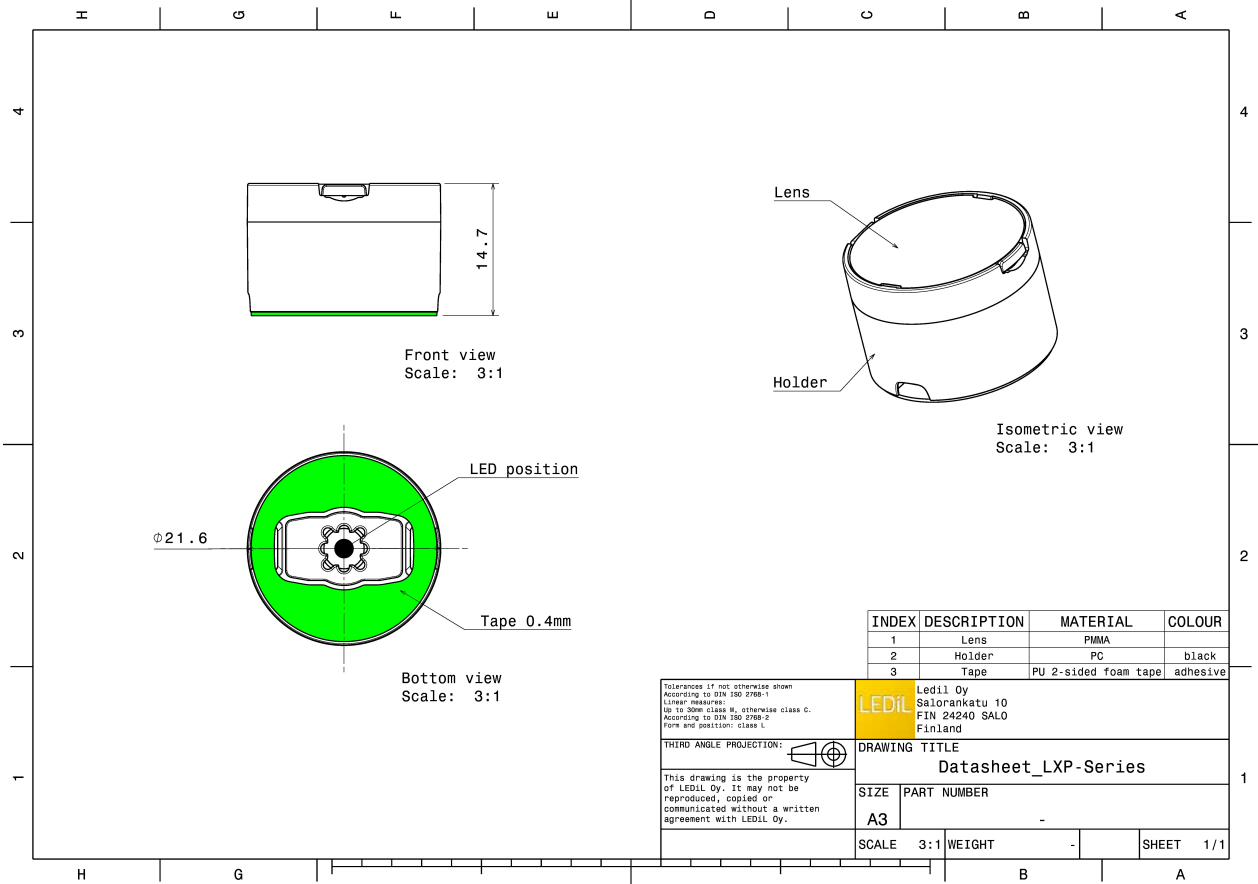


MATERIALS:

Component	Type	Material	Colour	Finish
LR1-D	Single lens	PMMA	clear	
LXP-LH1-TAPE-BLK	Holder	PC	black	
LEILA-TAPE	Tape	Acrylic foam	black	

ORDERING INFORMATION:

Component		Qty in box	MOQ	MPQ	Box weight (kg)
FA10663_LXP-D	Single lens	2304	288	144	11.5
» Box size: 470 x 235 x 270 mm					



See also our general installation guide: www.ledil.com/installation_guide

OPTICAL RESULTS (MEASURED):



LED XP-E
 FWHM / FWTM 12.0°
 Efficiency 90 %
 Peak intensity 12 cd/lm
 LEDs/each optic 1
 Light colour White
 Required components:



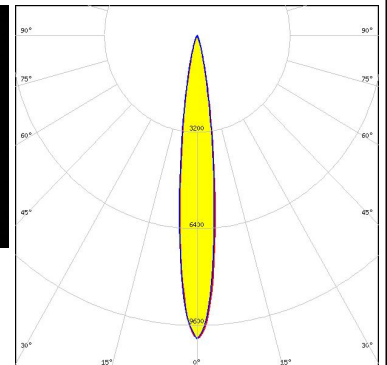
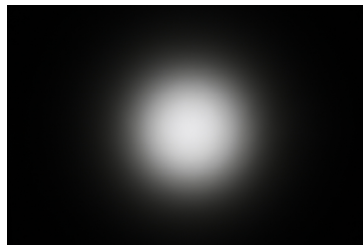
LED XP-E-HEW
 FWHM / FWTM 14.0°
 Efficiency 90 %
 LEDs/each optic 1
 Light colour White
 Required components:



LED XP-G
 FWHM / FWTM 15.0°
 Efficiency 93 %
 LEDs/each optic 1
 Light colour White
 Required components:



LED XP-L HI
 FWHM / FWTM 14.0° / 28.0°
 Efficiency 86 %
 Peak intensity 10 cd/lm
 LEDs/each optic 1
 Light colour White
 Required components:



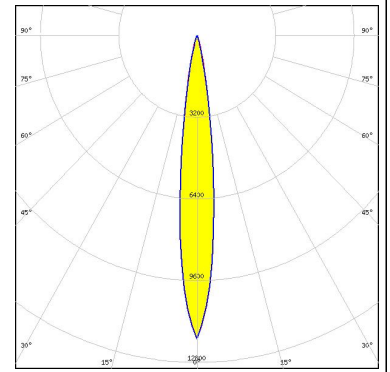
OPTICAL RESULTS (MEASURED):

	
SEOUL SEMICONDUCTOR	
LED	Z5
FWHM / FWTM	11.0°
Efficiency	%
LEDs/each optic	1
Light colour	White
Required components:	

OPTICAL RESULTS (SIMULATED):



LED XP-G3
 FWHM / FWTM 14.0° / 26.0°
 Efficiency 86 %
 Peak intensity 11.9 cd/lm
 LEDs/each optic 1
 Light colour White
 Required components:



LED LUXEON V2
 FWHM / FWTM 12.0° / 25.0°
 Efficiency 94 %
 Peak intensity 14.8 cd/lm
 LEDs/each optic 1
 Light colour White
 Required components:

