

LN2-RS

~9.6° spot beam optimized for Nichia NS6x83.
13.3 mm high assembly with installation tape.

SPECIFICATION:

Dimensions	Ø 21.6 mm
Height	13.5 mm
Fastening	tape
ROHS compliant	yes ⓘ

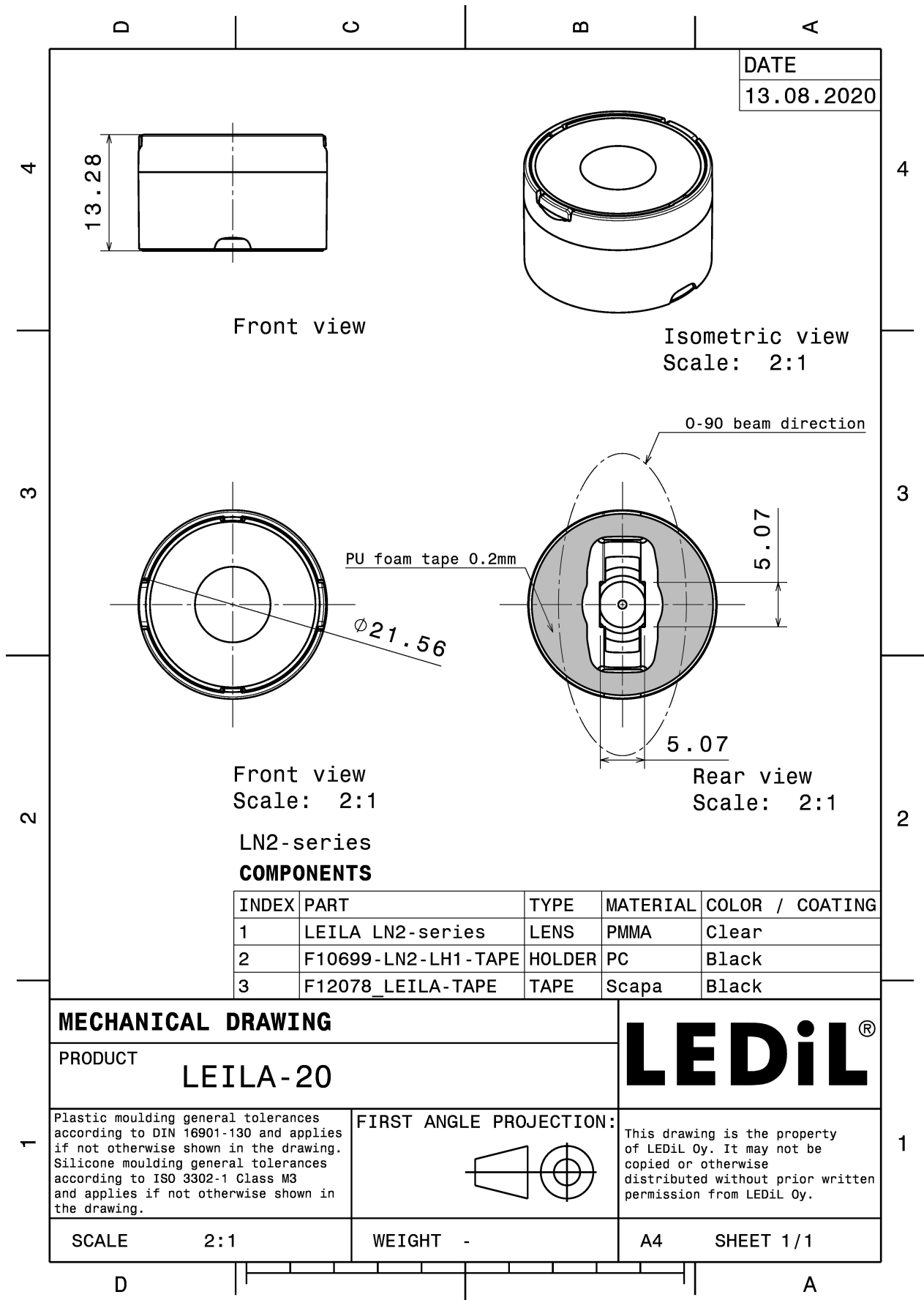


MATERIALS:

Component	Type	Material	Colour	Finish
LN2-RS	Single lens	PMMA	clear	
LN2-LH1-TAPE	Holder	PC	black	
LEILA-TAPE	Tape	Acrylic foam	black	

ORDERING INFORMATION:

Component		Qty in box	MOQ	MPQ	Box weight (kg)
FA10696_LN2-RS	Single lens	2304		144	0.0
» Box size:					

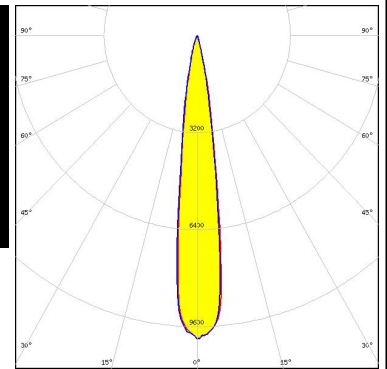


See also our general installation guide: www.ledil.com/installation_guide

OPTICAL RESULTS (MEASURED):



LED XM-L2
FWHM / FWTM 15.0° / 28.0°
Efficiency 88 %
Peak intensity 10.1 cd/Im
LEDs/each optic 1
Light colour White
Required components:

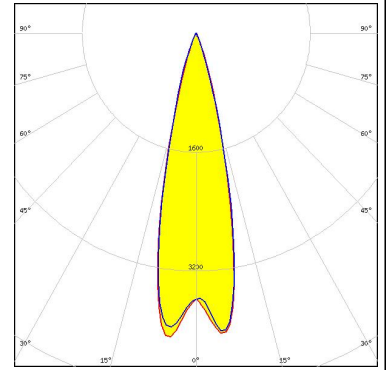


LED NS6x83
FWHM / FWTM 10.0°
Efficiency 94 %
LEDs/each optic 1
Light colour White
Required components:

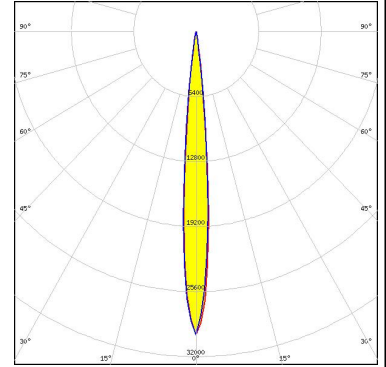
OPTICAL RESULTS (SIMULATED):



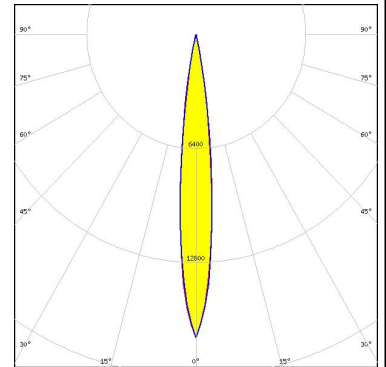
LED XHP50
FWHM / FWTM 26.0° / 41.0°
Efficiency 88 %
Peak intensity 4.1 cd/lm
LEDs/each optic 1
Light colour White
Required components:



LED LUXEON CZ
FWHM / FWTM 10.0° / 16.0°
Efficiency 90 %
Peak intensity 29.9 cd/lm
LEDs/each optic 1
Light colour Red
Required components:



LED SFT-40-WCS
FWHM / FWTM 12.0° / 22.0°
Efficiency 92 %
Peak intensity 17 cd/lm
LEDs/each optic 1
Light colour White
Required components:



LED SFT-70X-WCS
FWHM / FWTM 14.0° / 26.0°
Efficiency 93 %
Peak intensity 13.5 cd/lm
LEDs/each optic 1
Light colour White
Required components:

