

LN2-M

~25° medium beam optimized for Nichia NS6x83.
13.3 mm high assembly with installation tape.

SPECIFICATION:

Dimensions	Ø 21.6 mm
Height	13.5 mm
Fastening	tape
ROHS compliant	yes ⓘ

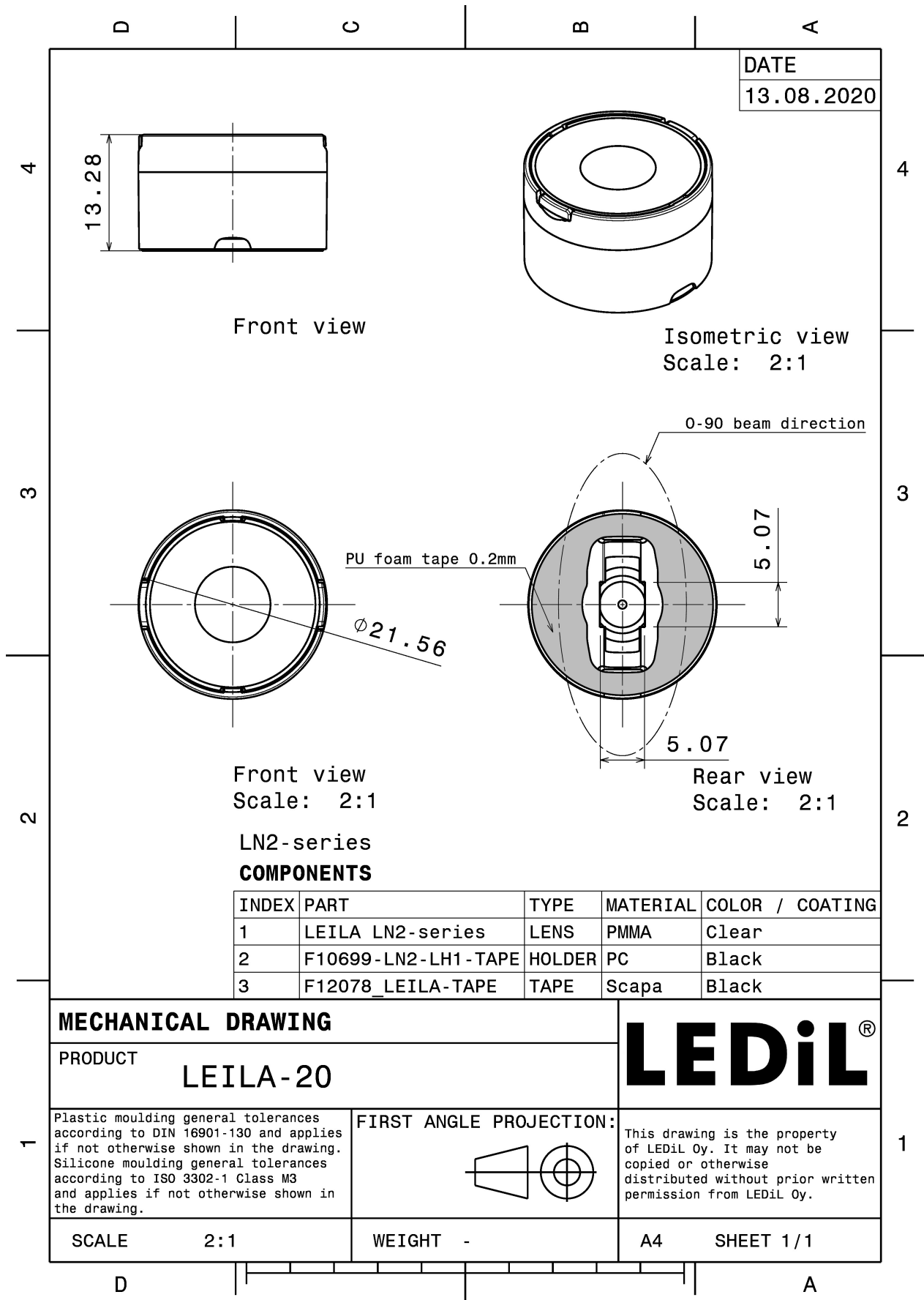


MATERIALS:

Component	Type	Material	Colour	Finish
LN2-M	Single lens	PMMA	clear	
LN2-LH1-TAPE	Holder	PC	black	
LEILA-TAPE	Tape	Acrylic foam	black	

ORDERING INFORMATION:

Component		Qty in box	MOQ	MPQ	Box weight (kg)
FA10697_LN2-M	Single lens	2304	288	144	10.1
» Box size:					

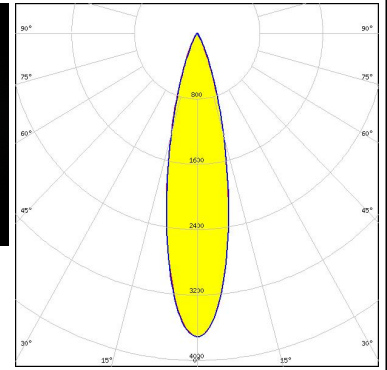


See also our general installation guide: www.ledil.com/installation_guide

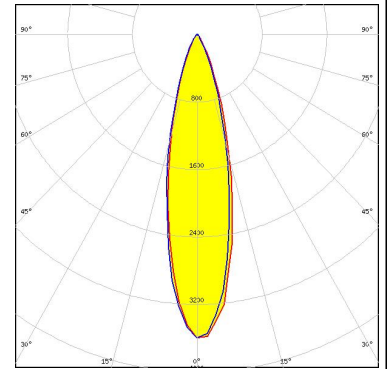
OPTICAL RESULTS (MEASURED):



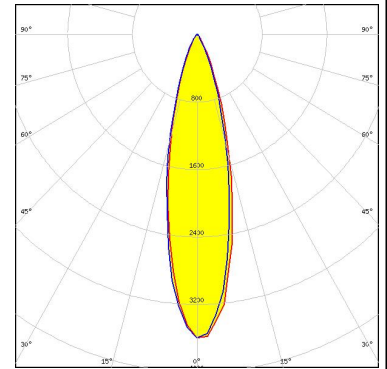
LED XM-L2
 FWHM / FWTM 24.0° / 47.0°
 Efficiency 84 %
 Peak intensity 3.7 cd/lm
 LEDs/each optic 1
 Light colour White
 Required components:



LED NS6x83
 FWHM / FWTM 26.0°
 Efficiency 90 %
 LEDs/each optic 1
 Light colour White
 Required components:



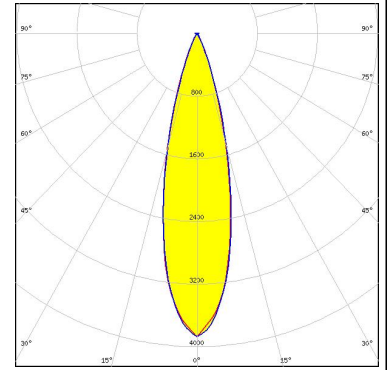
LED OLP-x5050F6L
 FWHM / FWTM 28.0° / 54.0°
 Efficiency 90 %
 Peak intensity 3.6 cd/lm
 LEDs/each optic 1
 Light colour White
 Required components:



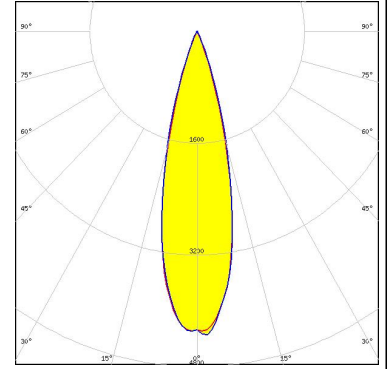
OPTICAL RESULTS (SIMULATED):



LED XP-G3
FWHM / FWTM 26.0° / 46.0°
Efficiency 87 %
Peak intensity 3.9 cd/lm
LEDs/each optic 1
Light colour White
Required components:



LED SFT-40-WCS
FWHM / FWTM 26.0° / 42.0 + 44.0°
Efficiency 92 %
Peak intensity 4.4 cd/lm
LEDs/each optic 1
Light colour White
Required components:



LED SFT-70X-WCS
FWHM / FWTM 26.0° / 44.0°
Efficiency 92 %
Peak intensity 4.2 cd/lm
LEDs/each optic 1
Light colour White
Required components:

