

## TWIDDLE-M

~32° medium beam designed for CREE XR-E.  
Assembly with holder and installation tape.

### SPECIFICATION:

|                |           |
|----------------|-----------|
| Dimensions     | Ø 21.6 mm |
| Height         | 13.2 mm   |
| Fastening      | tape      |
| ROHS compliant | yes ⓘ     |



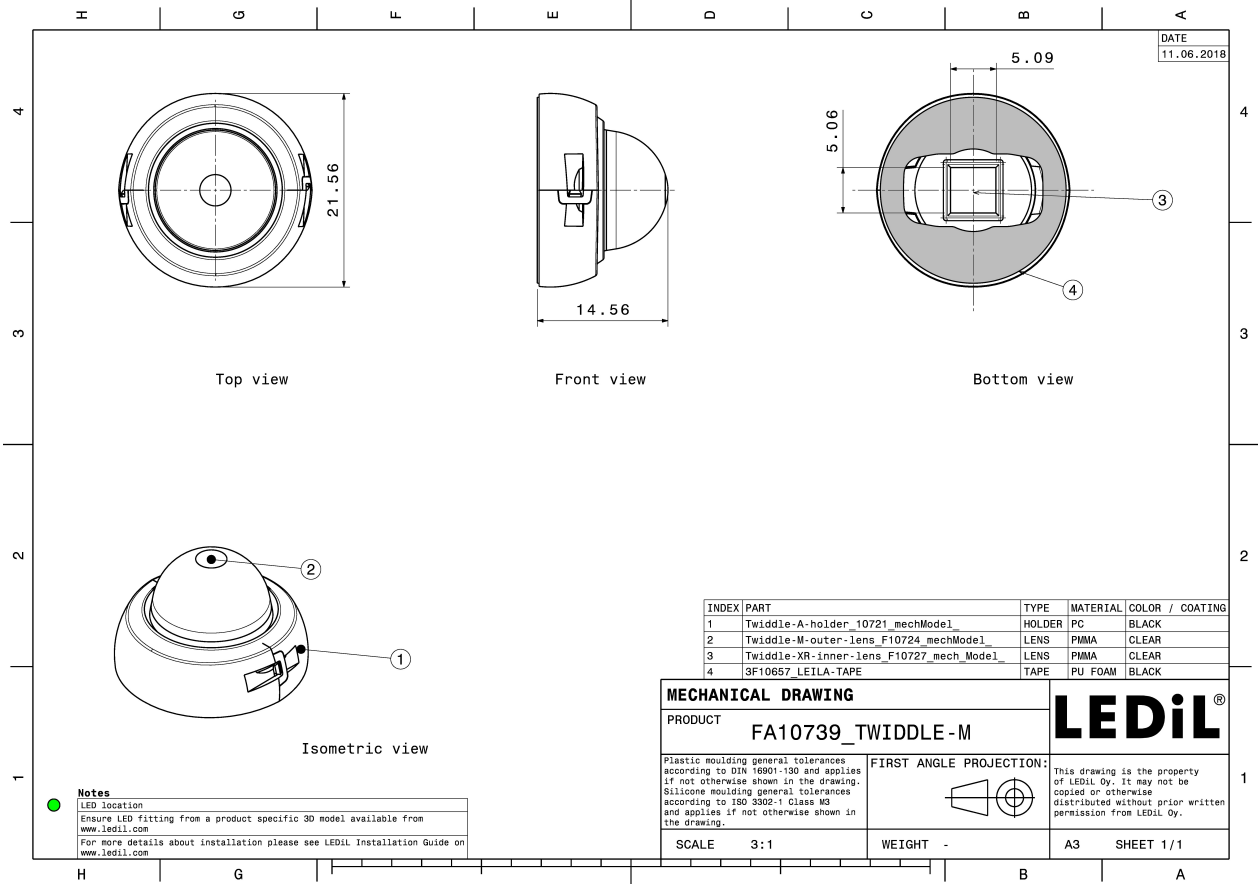
LEDiL®

### MATERIALS:

| Component             | Type        | Material       | Colour | Finish |
|-----------------------|-------------|----------------|--------|--------|
| TWIDDLE-XR-INNER-LENS | Single lens | PMMA           |        |        |
| TWIDDLE-M-OUTER-LENS  | Single lens | PC             | clear  |        |
| TWIDDLE-A-HLD         | Holder      | PC             |        |        |
| LEILA-TAPE            | Tape        | PET tape 0,2mm | black  |        |

### ORDERING INFORMATION:

| Component         |             | Qty in box | MOQ | MPQ | Box weight (kg) |
|-------------------|-------------|------------|-----|-----|-----------------|
| FA10739_TWIDDLE-M | Single lens | 1440       |     | 144 | 0.0             |
| » Box size:       |             |            |     |     |                 |



See also our general installation guide: [www.ledil.com/installation\\_guide](http://www.ledil.com/installation_guide)

## OPTICAL RESULTS (MEASURED):



|                      |       |
|----------------------|-------|
| LED                  | XR-E  |
| FWHM / FWTM          | 28.0° |
| Efficiency           | 71 %  |
| LEDs/each optic      | 1     |
| Light colour         | White |
| Required components: |       |

### OPTICAL RESULTS (SIMULATED):

#### SAMSUNG

|                      |               |
|----------------------|---------------|
| LED                  | LH351B        |
| FWHM / FWTM          | 18.0° / 38.0° |
| Efficiency           | 65 %          |
| Peak intensity       | 4.1 cd/lm     |
| LEDs/each optic      | 1             |
| Light colour         | White         |
| Required components: |               |

