

TINA-W

~50° wide beam optimized for Nichia NS6x83.
Assembly with holder and installation tape.

SPECIFICATION:

Dimensions	Ø 16.1 mm
Height	11.1 mm
Fastening	tape
ROHS compliant	yes ⓘ

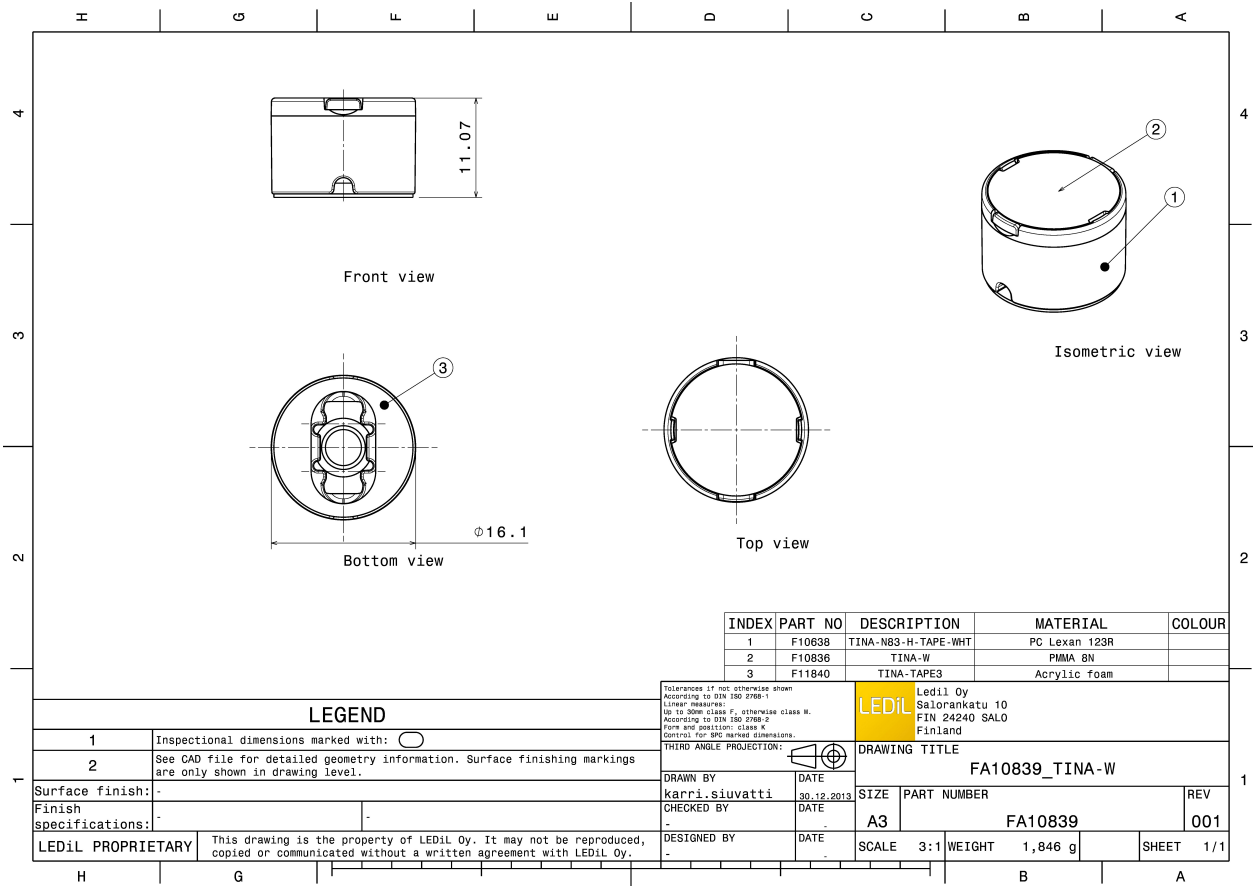


MATERIALS:

Component	Type	Material	Colour	Finish
TINA-N83-W	Single lens	PMMA	clear	
TINA-N83-H-TAPE-WHT	Holder	PC	white	
TINA-TAPE3	Tape	Acrylic foam	black	


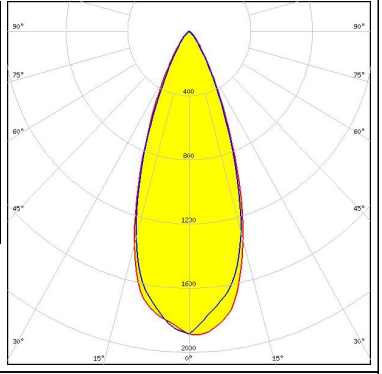

ORDERING INFORMATION:

Component		Qty in box	MOQ	MPQ	Box weight (kg)
FA10839_TINA-W	Single lens	2016	288	144	4.1
» Box size:					



See also our general installation guide: www.ledil.com/installation_guide

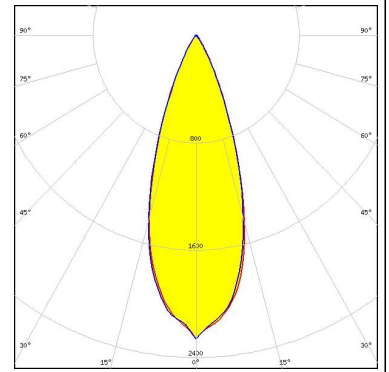
OPTICAL RESULTS (MEASURED):

<p>CREE LEDs</p> <p>LED MX-6 FWHM / FWTM 37.0° / 68.0° Efficiency 90 % Peak intensity 2 cd/lm LEDs/each optic 1 Light colour White Required components:</p>		
<p>NICHIA</p> <p>LED NS6x83 FWHM / FWTM 37.0° / 68.0° Efficiency 89 % Peak intensity 2 cd/lm LEDs/each optic 1 Light colour White Required components:</p>		

OPTICAL RESULTS (SIMULATED):



LED XP-L HD
FWHM / FWTM 36.0° / 60.0°
Efficiency 91 %
Peak intensity 2.3 cd/lm
LEDs/each optic 1
Light colour White
Required components:



LED XP-L HI
FWHM / FWTM 36.0° / 54.0°
Efficiency 93 %
Peak intensity 2.5 cd/lm
LEDs/each optic 1
Light colour White
Required components:

