

## NIS83-MX-WW

~60° wide beam optimized for Nichia NS6x83.  
Assembly with white holder.

### SPECIFICATION:

Dimensions	21.6 x 21.6 mm
Height	13.5 mm
Fastening	tape
ROHS compliant	yes ⓘ

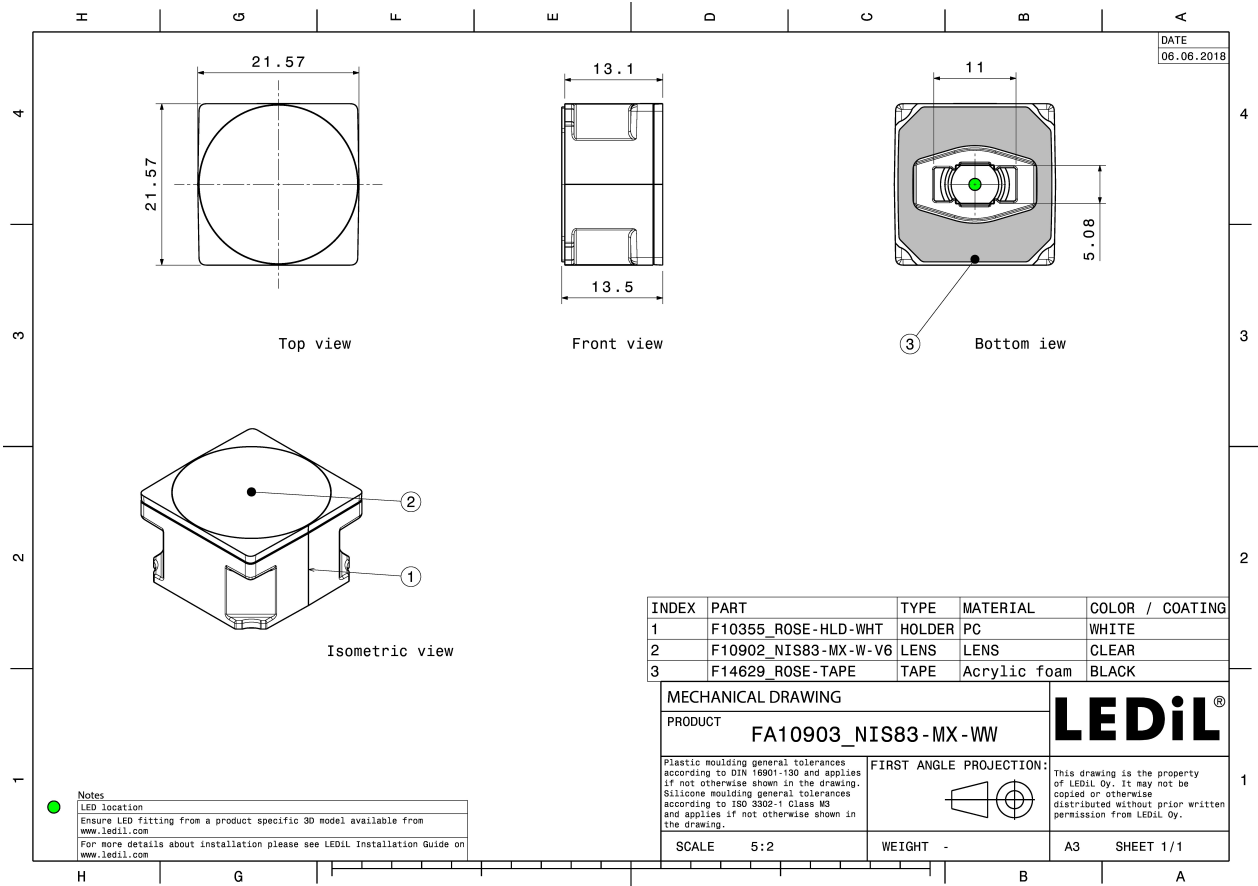


### MATERIALS:

Component	Type	Material	Colour	Finish
NIS83-MX-W-V6	Single lens	PC	clear	
ROSE-HLD-E-WHT	Holder	PC	white	
ROSE-TAPE	Tape	Acrylic foam	black	

### ORDERING INFORMATION:

Component		Qty in box	MOQ	MPQ	Box weight (kg)
FA10903_NIS83-MX-WW	Single lens	2304		144	0.0
» Box size:					



See also our general installation guide: [www.ledil.com/installation\\_guide](http://www.ledil.com/installation_guide)

### OPTICAL RESULTS (MEASURED):



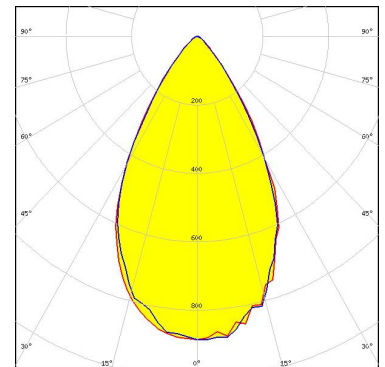
LED MX-6  
FWHM / FWTM 56.0° / 82.0°  
Efficiency 84 %  
Peak intensity 1.2 cd/lm  
LEDs/each optic 1  
Light colour White  
Required components:



LED NS6x83  
FWHM / FWTM 61.0° / 90.0°  
Efficiency %  
Peak intensity 0.7 cd/lm  
LEDs/each optic 1  
Light colour White  
Required components:



LED OLP-x5050F6L  
FWHM / FWTM 58.0° / 88.0°  
Efficiency 83 %  
Peak intensity 0.9 cd/lm  
LEDs/each optic 1  
Light colour White  
Required components:



LED 3J (GSPW16)  
FWHM / FWTM 56.0° / 87.0°  
Efficiency 82 %  
Peak intensity 0.9 cd/lm  
LEDs/each optic 1  
Light colour White  
Required components:

## OPTICAL RESULTS (MEASURED):



LED	6J (GTDW16)
FWHM / FWTM	57.0° / 87.0°
Efficiency	82 %
Peak intensity	0.8 cd/m
LEDs/each optic	1
Light colour	White
Required components:	