

TINA-O

~35° x 15° oval beam optimized for CREE XP-E.
Assembly with holder and installation tape.

SPECIFICATION:

| | |
|----------------|-----------|
| Dimensions | Ø 16.1 mm |
| Height | 9.7 mm |
| Fastening | tape |
| ROHS compliant | yes ⓘ |

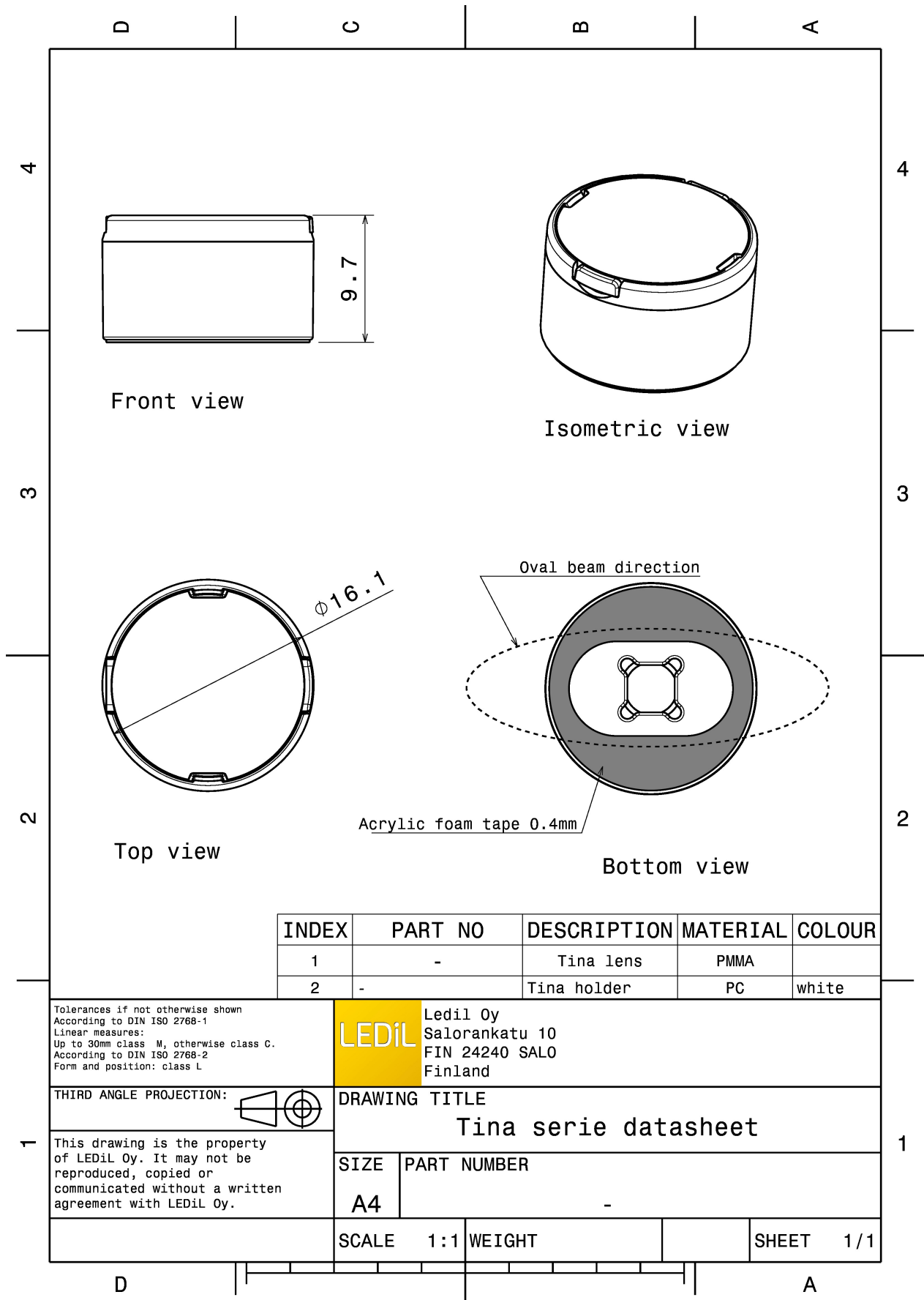


MATERIALS:

| Component | Type | Material | Colour | Finish |
|--------------------|-------------|--------------|--------|--------|
| TINA-XP-O | Single lens | PMMA | clear | |
| TINA-XP-H-TAPE-WHT | Holder | PC | white | |
| TINA-TAPE3 | Tape | Acrylic foam | black | |

ORDERING INFORMATION:

| Component | | Qty in box | MOQ | MPQ | Box weight (kg) |
|--------------------------------|-------------|------------|-----|-----|-----------------|
| FA11200_TINA-O | Single lens | 2016 | 288 | 144 | 3.9 |
| » Box size: 470 x 240 x 105 mm | | | | | |



| INDEX | PART NO | DESCRIPTION | MATERIAL | COLOUR |
|-------|---------|-------------|----------|--------|
| 1 | - | Tina lens | PMMA | |
| 2 | - | Tina holder | PC | white |

Tolerances if not otherwise shown
According to DIN ISO 2768-1
Linear measures:
Up to 30mm class M, otherwise class C.
According to DIN ISO 2768-2
Form and position: class L

LEDiL Ledil Oy
Salorankatu 10
FIN 24240 SALO
Finland

THIRD ANGLE PROJECTION:

DRAWING TITLE
Tina serie datasheet

This drawing is the property of LEDiL Oy. It may not be reproduced, copied or communicated without a written agreement with LEDiL Oy.

| SIZE | PART NUMBER |
|------|-------------|
| A4 | - |

| SCALE | 1:1 | WEIGHT | SHEET | 1/1 |
|-------|-----|--------|-------|-----|
|-------|-----|--------|-------|-----|

See also our general installation guide: www.ledil.com/installation_guide

OPTICAL RESULTS (MEASURED):



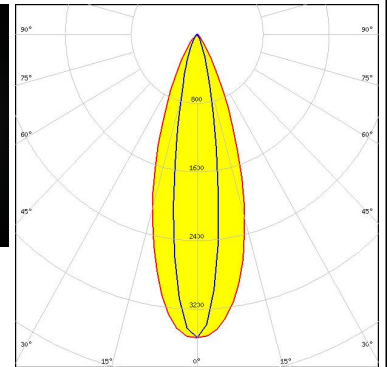
LED XP-E
 FWHM / FWTM 33.0 + 15.0° / 61.0 + 33.0°
 Efficiency 93 %
 Peak intensity 3.8 cd/lm
 LEDs/each optic 1
 Light colour White
 Required components:



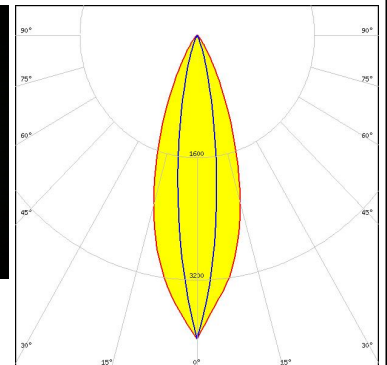
LED XP-G
 FWHM / FWTM 33.0 + 18.0° / 63.0 + 21.0°
 Efficiency 92 %
 Peak intensity 3.2 cd/lm
 LEDs/each optic 1
 Light colour White
 Required components:



LED XP-G2
 FWHM / FWTM 36.0 + 18.0° / 64.0 + 40.0°
 Efficiency 88 %
 Peak intensity 3.5 cd/lm
 LEDs/each optic 1
 Light colour White
 Required components:



LED XT-E
 FWHM / FWTM 36.0 + 16.0° / 63.0 + 36.0°
 Efficiency 92 %
 Peak intensity 3.5 cd/lm
 LEDs/each optic 1
 Light colour White
 Required components:



OPTICAL RESULTS (SIMULATED):

| | |
|---|--|
| <p>LUMILEDS</p> <p>LED: LUXEON V2 FWHM / FWTM: 40.0 + 17.0° / 67.0 + 36.0° Efficiency: 93 % Peak intensity: 3.4 cd/lm LEDs/each optic: 1 Light colour: White Required components:</p> | |
| <p>NICHIA</p> <p>LED: NVSW3x9A FWHM / FWTM: 20.0 + 38.0° / 42.0 + 67.0° Efficiency: 84 % Peak intensity: 2.7 cd/lm LEDs/each optic: 1 Light colour: White Required components:</p> | |
| <p>OSRAM Opto Semiconductors</p> <p>LED: OSOLON Square CSSRM2/CSSRM3 FWHM / FWTM: 40.0 + 15.0° / 64.0 + 33.0° Efficiency: 94 % Peak intensity: 4 cd/lm LEDs/each optic: 1 Light colour: White Required components:</p> | |
| <p>OSRAM Opto Semiconductors</p> <p>LED: OSOLON Square CSSRM2/CSSRM3 FWHM / FWTM: 40.0 + 16.0° / 66.0 + 34.0° Efficiency: 94 % Peak intensity: 3.8 cd/lm LEDs/each optic: 1 Light colour: White Required components:</p> | |

OPTICAL RESULTS (SIMULATED):

| | |
|---|--------------|
|  | |
| SEOL SEMICONDUCTOR | |
| LED | Z5 |
| FWHM / FWTM | 35.0 + 15.0° |
| Efficiency | % |
| LEDs/each optic | 1 |
| Light colour | White |
| Required components: | |