

## LXP-RS2

~8.5° spot beam optimized for CREE XP-E. 14.7 mm high assembly with installation tape.

### SPECIFICATION:

Dimensions	Ø 21.6 mm
Height	14.7 mm
Fastening	tape
ROHS compliant	yes ⓘ

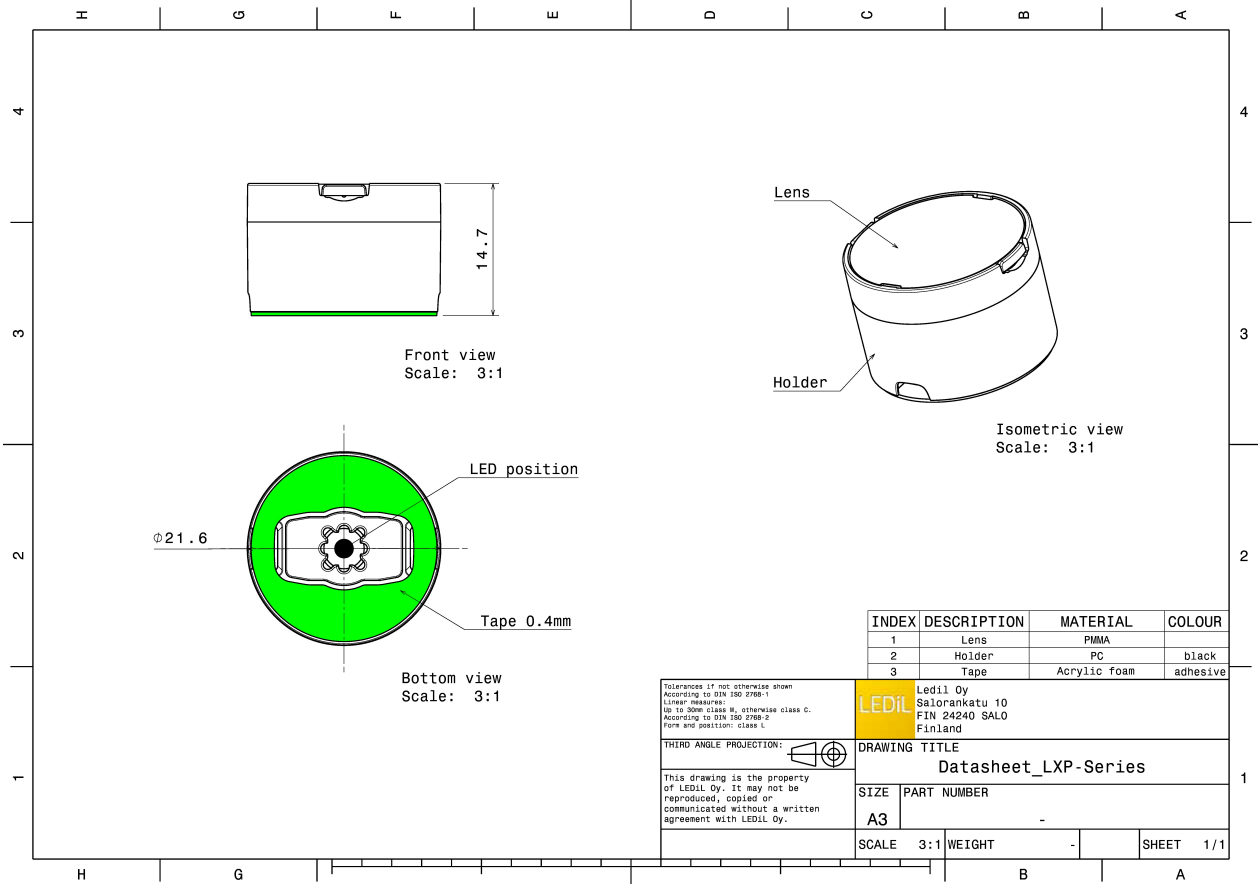


### MATERIALS:

Component	Type	Material	Colour	Finish
LR1-RS2	Single lens	PMMA	clear	
LXP-LH1-TAPE-BLK	Holder	PC	black	
LEILA-TAPE	Tape	Acrylic foam	black	

### ORDERING INFORMATION:

Component		Qty in box	MOQ	MPQ	Box weight (kg)
FA11739_LXP-RS2	Single lens	2304	288	144	11.5
» Box size: 470 x 235 x 270 mm					



See also our general installation guide: [www.ledil.com/installation\\_guide](http://www.ledil.com/installation_guide)

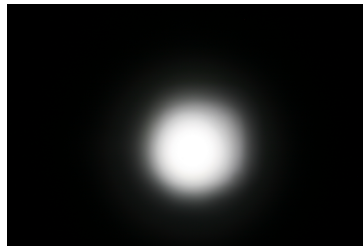
#### OPTICAL RESULTS (MEASURED):



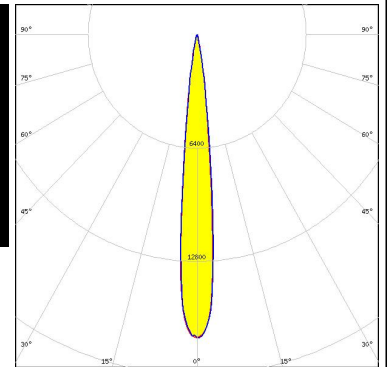
LED XP-E  
FWHM / FWTM 9.0°  
Efficiency 94 %  
Peak intensity 25 cd/lm  
LEDs/each optic 1  
Light colour White  
Required components:



LED XP-G  
FWHM / FWTM 10.0° / 22.0°  
Efficiency 94 %  
Peak intensity 14.1 cd/lm  
LEDs/each optic 1  
Light colour White  
Required components:



LED XP-L HI  
FWHM / FWTM 11.0° / 21.0°  
Efficiency 89 %  
Peak intensity 17 cd/lm  
LEDs/each optic 1  
Light colour White  
Required components:



### OPTICAL RESULTS (SIMULATED):

		
LED	LUXEON CZ	
FWHM / FWTM	6.0° / 14.0°	
Efficiency	92 %	
Peak intensity	51.5 cd/lm	
LEDs/each optic	1	
Light colour	Red	
Required components:		
 SEOUL SEMICONDUCTOR		
LED	Z5	
FWHM / FWTM	8.0°	
Efficiency	%	
LEDs/each optic	1	
Light colour	White	
Required components:		