

## TINA-M

~30° medium beam designed for LUXEON Rebel ES. Assembly with holder, installation tape and location pins.

### SPECIFICATION:

Dimensions	Ø 16.1 mm
Height	9.4 mm
Fastening	tape, pin
ROHS compliant	yes ⓘ

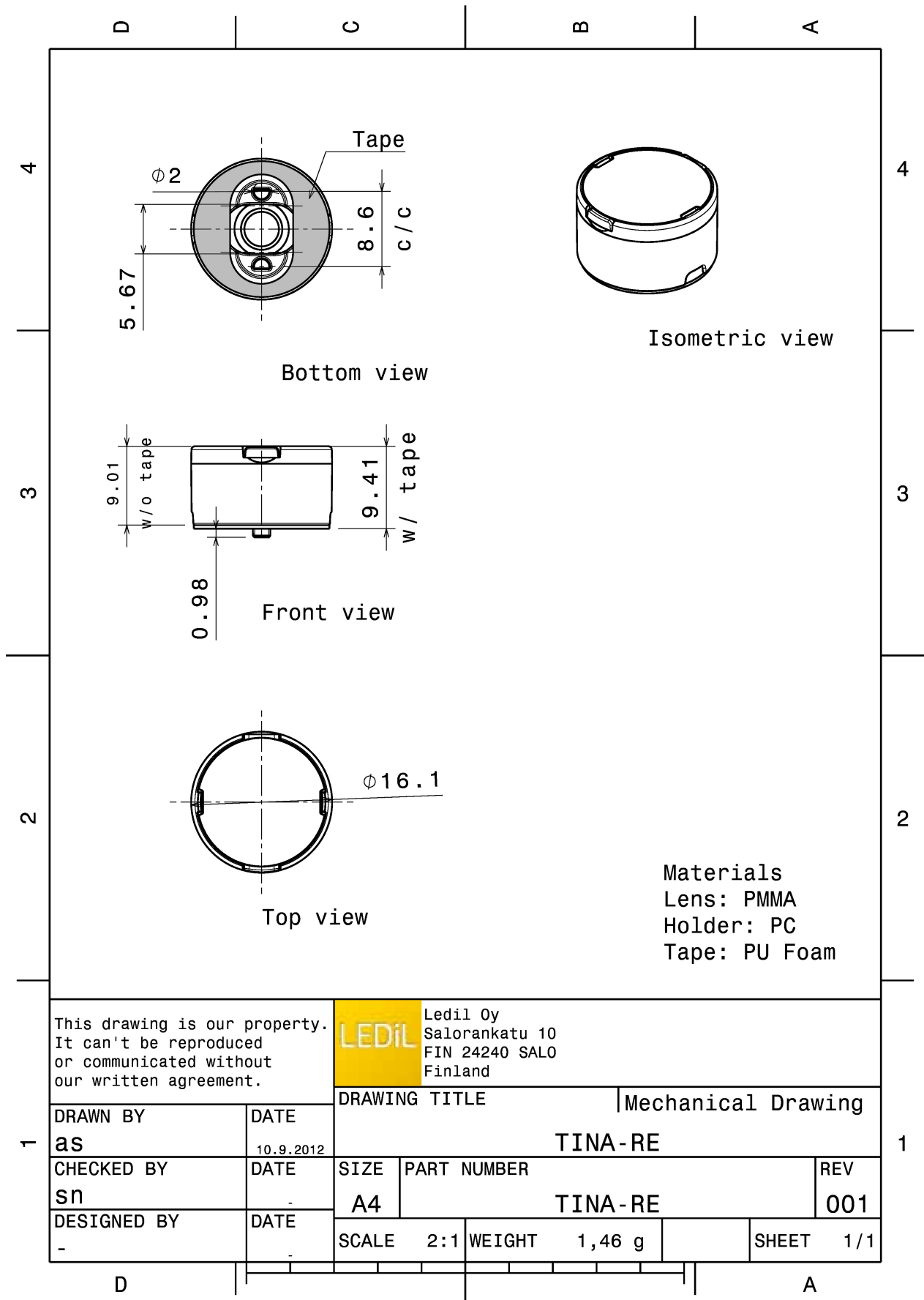


### MATERIALS:

Component	Type	Material	Colour	Finish
TINA-RE-ES-M	Single lens	PMMA	clear	
TINA-HLD-TAPE-WHT-RE	Holder	PC	white	
TINA-TAPE3	Tape	Acrylic foam	black	

### ORDERING INFORMATION:

Component		Qty in box	MOQ	MPQ	Box weight (kg)
FA12040_TINA-M	Single lens	2016	288	144	4.0
» Box size:					



This drawing is our property. It can't be reproduced or communicated without our written agreement.

**LEDiL** Ledil Oy  
 Salorankatu 10  
 FIN 24240 SALO  
 Finland

DRAWN BY <b>as</b>		DATE 10.9.2012	DRAWING TITLE <b>TINA-RE</b>		Mechanical Drawing
CHECKED BY <b>sn</b>	DATE -	SIZE <b>A4</b>	PART NUMBER <b>TINA-RE</b>	REV <b>001</b>	
DESIGNED BY -	DATE -	SCALE <b>2:1</b>	WEIGHT <b>1,46 g</b>	SHEET <b>1/1</b>	

See also our general installation guide: [www.ledil.com/installation\\_guide](http://www.ledil.com/installation_guide)

## OPTICAL RESULTS (MEASURED):



LED	LUXEON A
FWHM / FWTM	32.0°
Efficiency	89 %
LEDs/each optic	1
Light colour	White
Required components:	