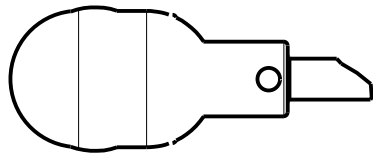
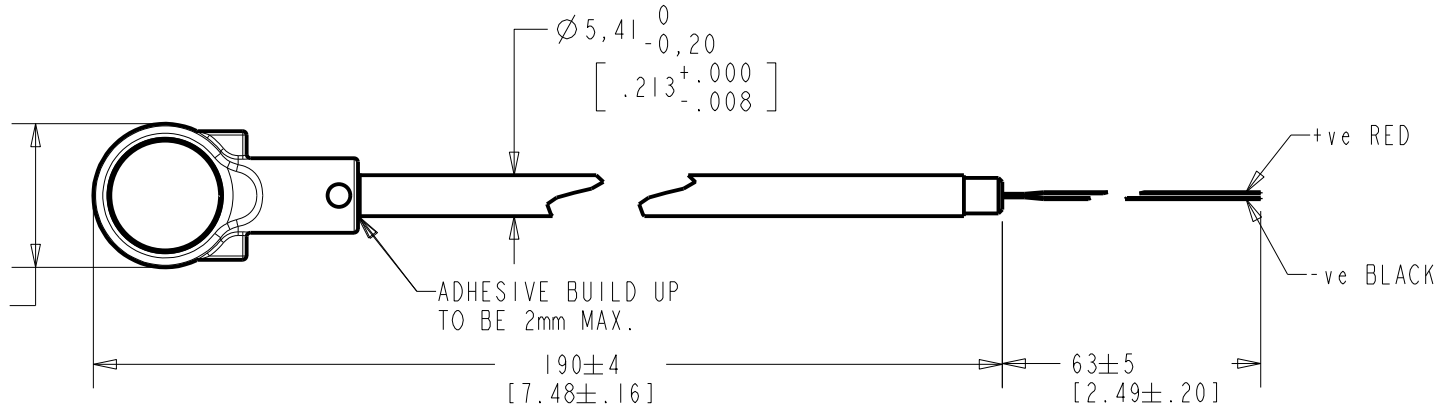


FB-EM-30343-000  
SHT 1.1



TOP VIEW  
W/WINDSHIELD SHOWN  
SCALE 1:1

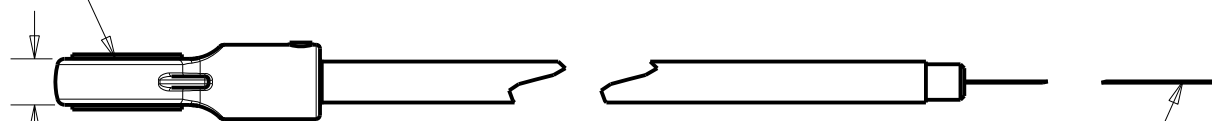
$\varnothing 19,0 \pm 0,3$   
[.748 ± .012]



PLASTIC HOUSING, BLACK



6,10 ± 0,12  
[.240 ± .005]



WIRES  
2mm STRIPPED & TINNED ENDS

WIRE COLOR			WEIGHT GRAMS
+ve	OUTPUT	-ve	
RED	---	BLACK	---

DIMENSIONS IN MILLIMETERS [INCHES]

Revision	C.O. #	Implementation Date	RELEASE LEVEL	REVISION
C	C40101206	3-7-13	Active	C
B	C10107748	8-12-08		
A	C10107379	6-26-08		

SCALE: 1:1

DO NOT SCALE DRAWING

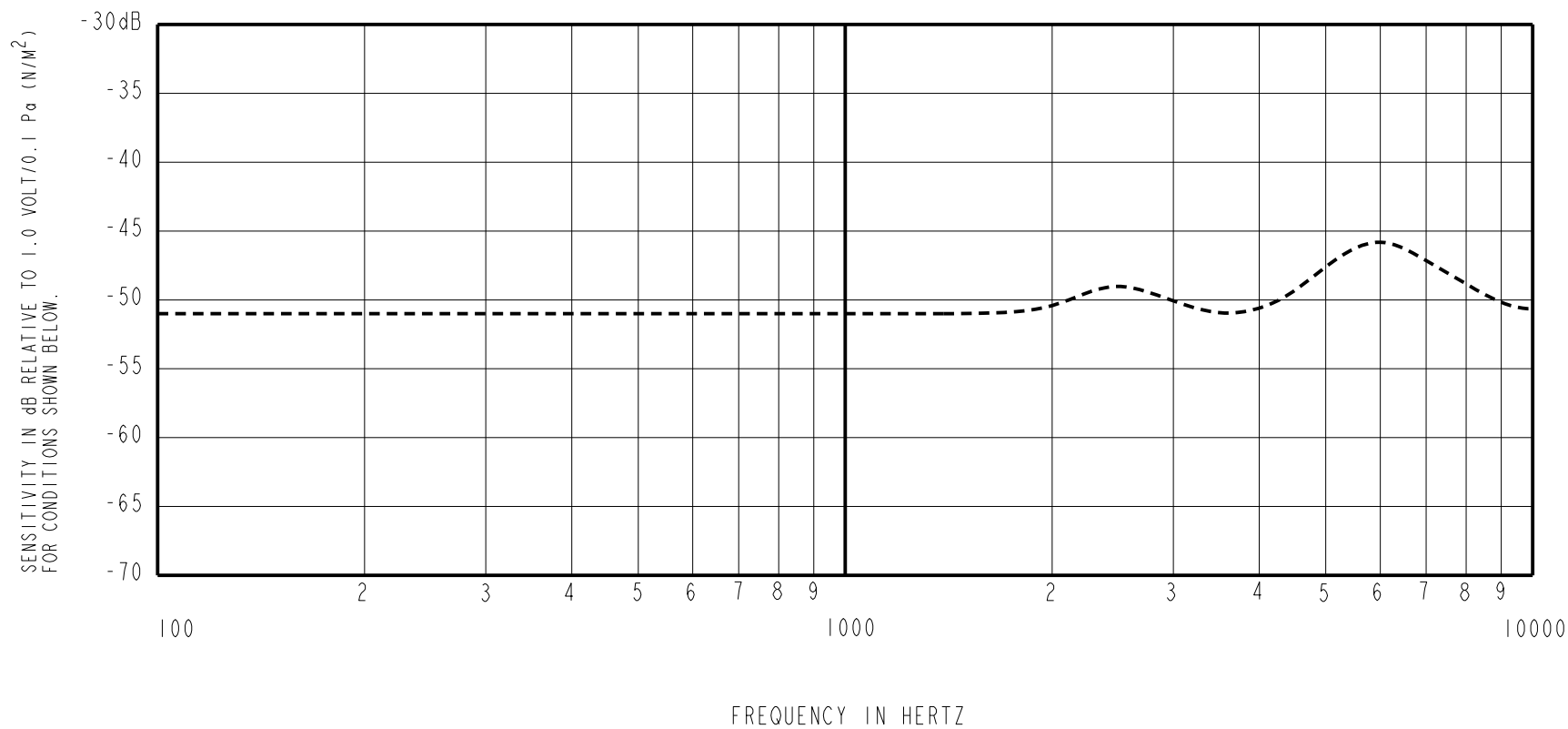
TITLE: BOOM MICROPHONE FB-EM-30343-000

OUTLINE DRAWING

SHT 1.1

DR. BY	DATE
TT	6-26-08
CK. BY	DATE
GJP	7-15-08
APP. BY	DATE
GJP	7-15-08

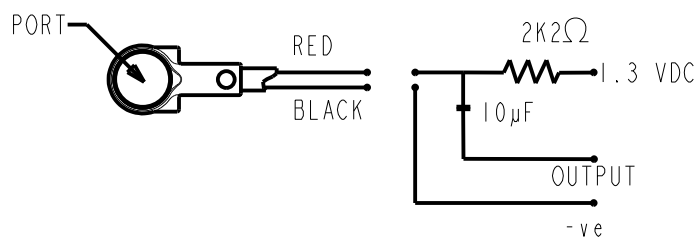
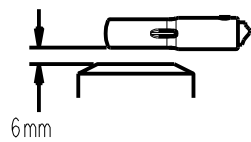
**KNOWLES ELECTRONICS**  
ITASCA, ILLINOIS U.S.A.



FREQUENCY	SENSITIVITY			DEVICE CONFORMITY	
	MIN.	NOM.	MAX.	RANGE OF DEVIATION FROM 1KHz	
300	---	-51.0	---	-4.0	+4.0
1000	-55.0	-51.0	-47	0.0	0.0
2000	---	-50.5	---	-4.0	---
6000	---	-46.5	---	0.0	+9

NOTES:

- MICROPHONE TO BE FUNCTIONAL WITH 10 VDC SUPPLY.
- SENSITIVITY VALUES INDICATED ON THIS SPECIFICATION ARE VALID AT 50% HUMIDITY.
- TEST CONDITIONS:  
HEAD OF BOOM EXPOSED TO 74 dB SPL SWEPT SOUND FIELD AT 6mm FROM VOICE APERTURE.  
ARTIFICIAL VOICE:  
B & k 4227 MOUTH SIMULATOR.
- FOR MICROPHONE CAPSULE SPEC. SEE DRAWING WP-25993-D63
- SURVIVES 3m SUBMERSION BASED ON QUALIFICATION TESTING. 100% TEST 30 MINUTES 1m SUBMERSION; SENSITIVITY WITHIN 3dB OF INITIAL SENSITIVITY AFTER DRIED FOR 30 MINUTES AT ROOM TEMPERATURE.



LEAD IDENTIFICATION & TEST CIRCUIT

Revision	C.O. #	Implementation Date	RELEASE LEVEL	REVISION
C	C40101206	3-7-13	<b>Active</b>	<b>C</b>
B	C10107748	8-12-08		
A	C10107379	6-26-08		

**KNOWLES ELECTRONICS**  
ITASCA, ILLINOIS U.S.A.

WHEN TEST LIMITS ARE USED TO ESTABLISH INCOMING INSPECTION ACCEPTANCE/REJECTION CRITERIA, CORRELATION OF TEST EQUIPMENT WITH KNOWLES IS ALSO REQUIRED FOR ELIMINATION OF EQUIPMENT AND TEST METHOD VARIATION

TITLE: **BOOM MICROPHONE FB-EM-30343-000**  
PERFORMANCE SPECIFICATION **SHT 2.1**

DR. BY	DATE
TT	6-26-08
CK. BY	DATE
GJP	7-15-08
APP. BY	DATE
GJP	7-15-08