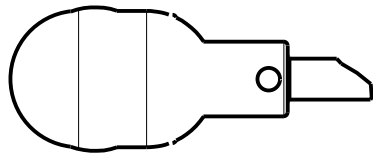
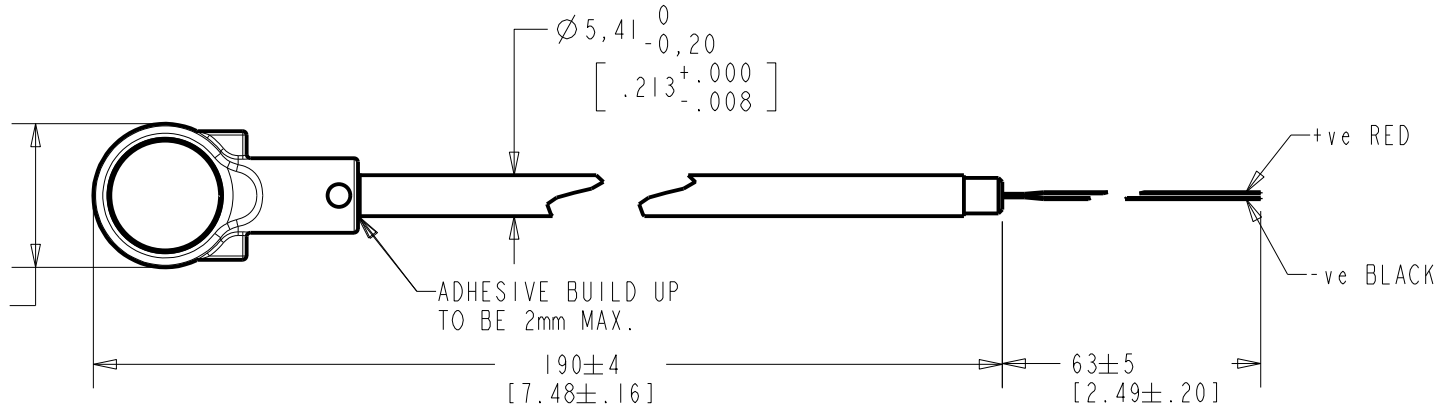


FB-EM-30343-000  
SHT 1.1



TOP VIEW  
W/WINDSHIELD SHOWN  
SCALE 1:1

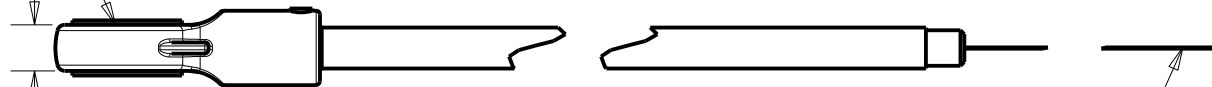
$\varnothing 19,0 \pm 0,3$   
[.748 ± .012]



PLASTIC HOUSING, BLACK



$6,10 \pm 0,12$   
[.240 ± .005]



| WIRE COLOR |        |       | WEIGHT<br>GRAMS |
|------------|--------|-------|-----------------|
| +ve        | OUTPUT | -ve   |                 |
| RED        | ---    | BLACK | ---             |

DIMENSIONS IN MILLIMETERS [INCHES]

| Revision | C.O. #    | Implementation Date | RELEASE LEVEL | REVISION |
|----------|-----------|---------------------|---------------|----------|
| C        | C40101206 | 3-7-13              | Active        | C        |
| B        | C10107748 | 8-12-08             |               |          |
| A        | C10107379 | 6-26-08             |               |          |

SCALE: 1:1

DO NOT SCALE DRAWING

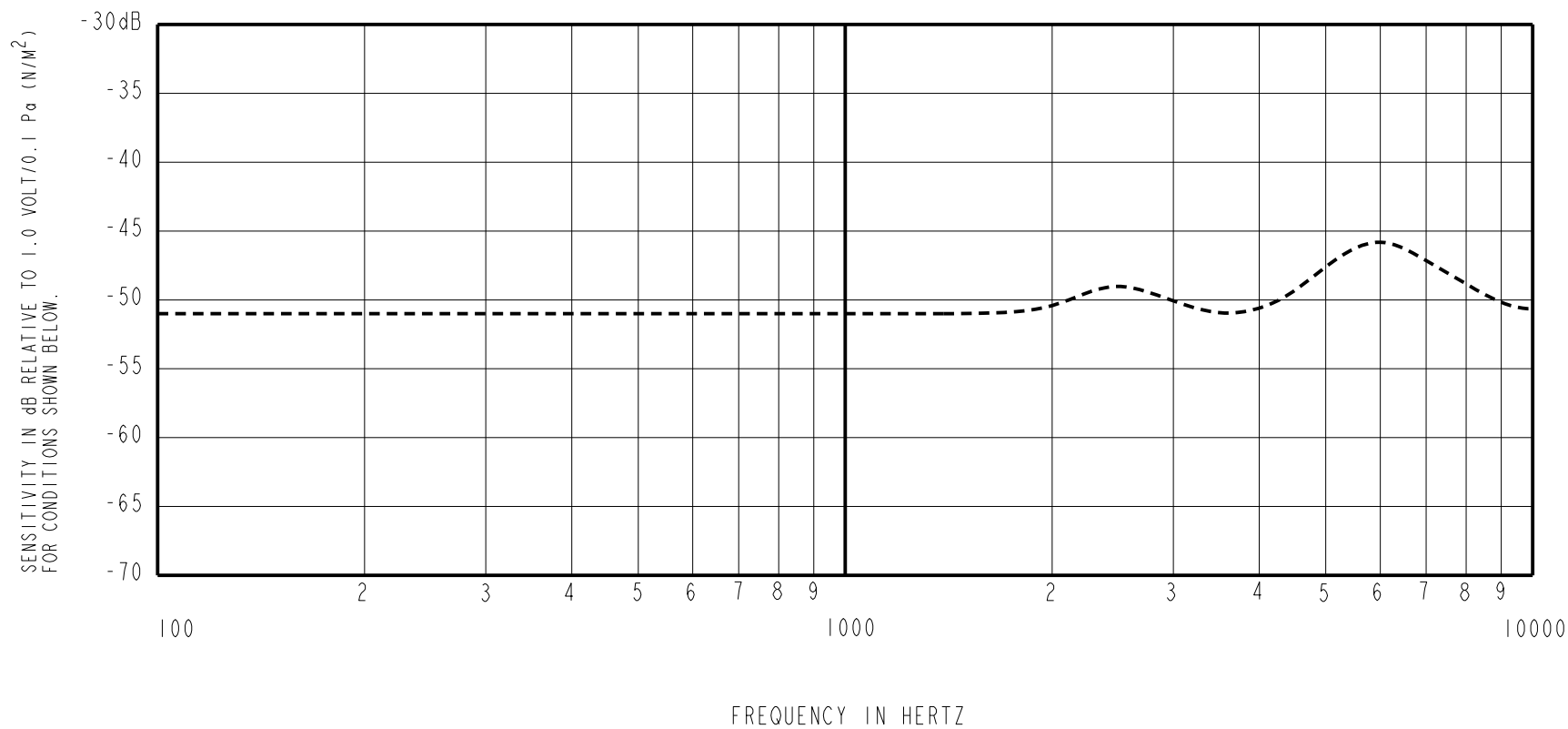
TITLE: BOOM MICROPHONE FB-EM-30343-000

OUTLINE DRAWING

SHT 1.1

| DR. BY  | DATE    |
|---------|---------|
| TT      | 6-26-08 |
| CK. BY  | DATE    |
| GJP     | 7-15-08 |
| APP. BY | DATE    |
| GJP     | 7-15-08 |

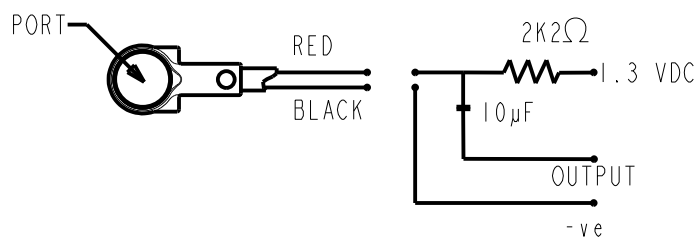
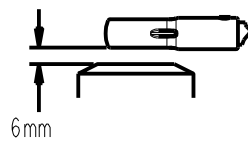
**KNOWLES ELECTRONICS**  
ITASCA, ILLINOIS U.S.A.



| FREQUENCY | SENSITIVITY |       |      | DEVICE CONFORMITY            |      |
|-----------|-------------|-------|------|------------------------------|------|
|           | MIN.        | NOM.  | MAX. | RANGE OF DEVIATION FROM 1KHz |      |
| 300       | ---         | -51.0 | ---  | -4.0                         | +4.0 |
| 1000      | -55.0       | -51.0 | -47  | 0.0                          | 0.0  |
| 2000      | ---         | -50.5 | ---  | -4.0                         | ---  |
| 6000      | ---         | -46.5 | ---  | 0.0                          | +9   |

NOTES:

- MICROPHONE TO BE FUNCTIONAL WITH 10 VDC SUPPLY.
- SENSITIVITY VALUES INDICATED ON THIS SPECIFICATION ARE VALID AT 50% HUMIDITY.
- TEST CONDITIONS:  
HEAD OF BOOM EXPOSED TO 74 dB SPL SWEPT SOUND FIELD AT 6mm FROM VOICE APERTURE.  
ARTIFICIAL VOICE:  
B & k 4227 MOUTH SIMULATOR.
- FOR MICROPHONE CAPSULE SPEC. SEE DRAWING WP-25993-D63
- SURVIVES 3m SUBMERSION BASED ON QUALIFICATION TESTING. 100% TEST 30 MINUTES 1m SUBMERSION; SENSITIVITY WITHIN 3dB OF INITIAL SENSITIVITY AFTER DRIED FOR 30 MINUTES AT ROOM TEMPERATURE.



LEAD IDENTIFICATION & TEST CIRCUIT

| Revision | C.O. #    | Implementation Date | RELEASE LEVEL | REVISION |
|----------|-----------|---------------------|---------------|----------|
| C        | C40101206 | 3-7-13              | Active        | C        |
| B        | C10107748 | 8-12-08             |               |          |
| A        | C10107379 | 6-26-08             |               |          |

**KNOWLES ELECTRONICS**  
ITASCA, ILLINOIS U.S.A.

WHEN TEST LIMITS ARE USED TO ESTABLISH INCOMING INSPECTION ACCEPTANCE/REJECTION CRITERIA, CORRELATION OF TEST EQUIPMENT WITH KNOWLES IS ALSO REQUIRED FOR ELIMINATION OF EQUIPMENT AND TEST METHOD VARIATION

TITLE: **BOOM MICROPHONE FB-EM-30343-000**  
PERFORMANCE SPECIFICATION **SHT 2.1**

| DR. BY  | DATE    |
|---------|---------|
| TT      | 6-26-08 |
| CK. BY  | DATE    |
| GJP     | 7-15-08 |
| APP. BY | DATE    |
| GJP     | 7-15-08 |