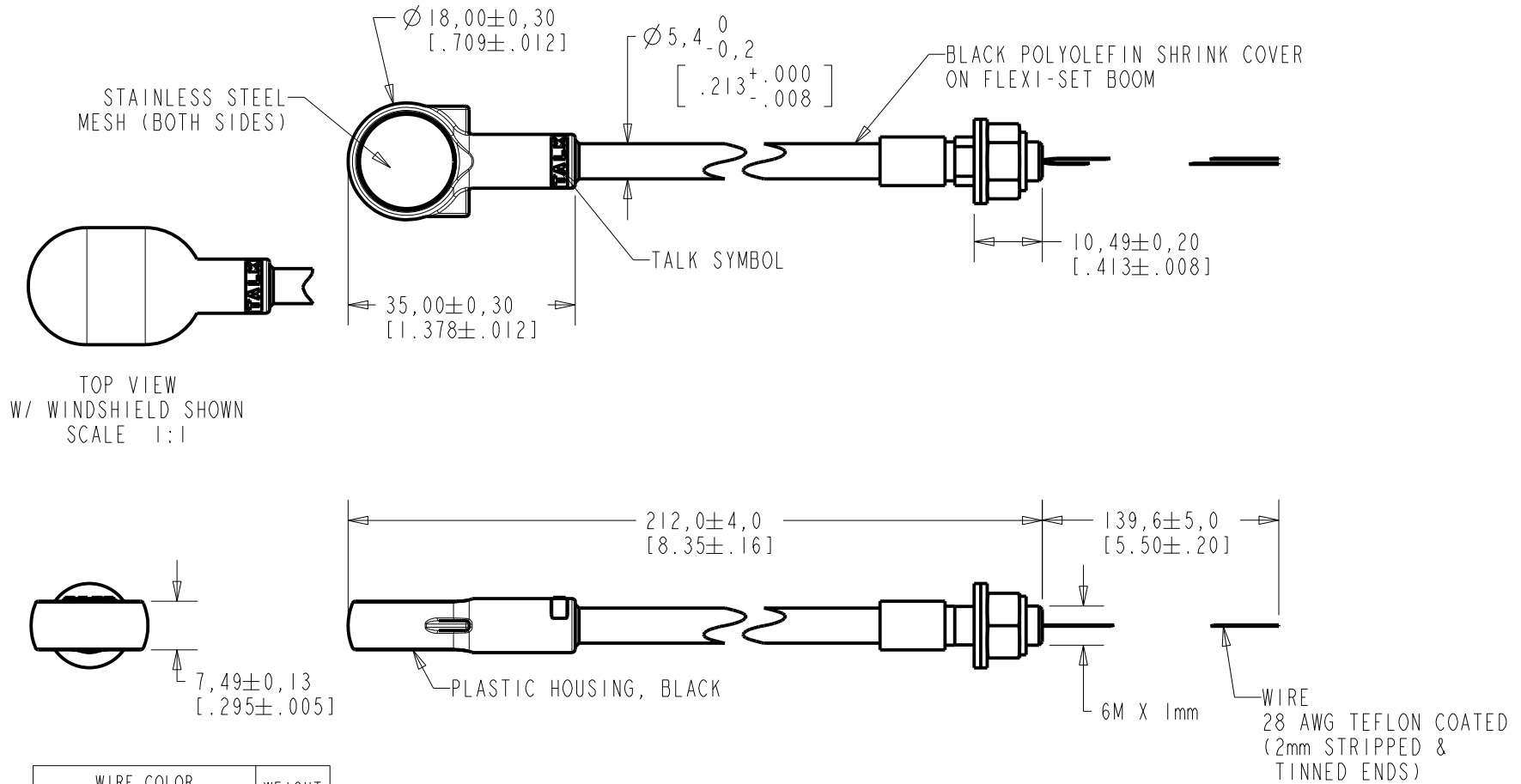


**FB-EI-30026-000**  
SHT 1.1

NOTES:  
1. LASER MARK, SEE WORK INSTRUCTION.



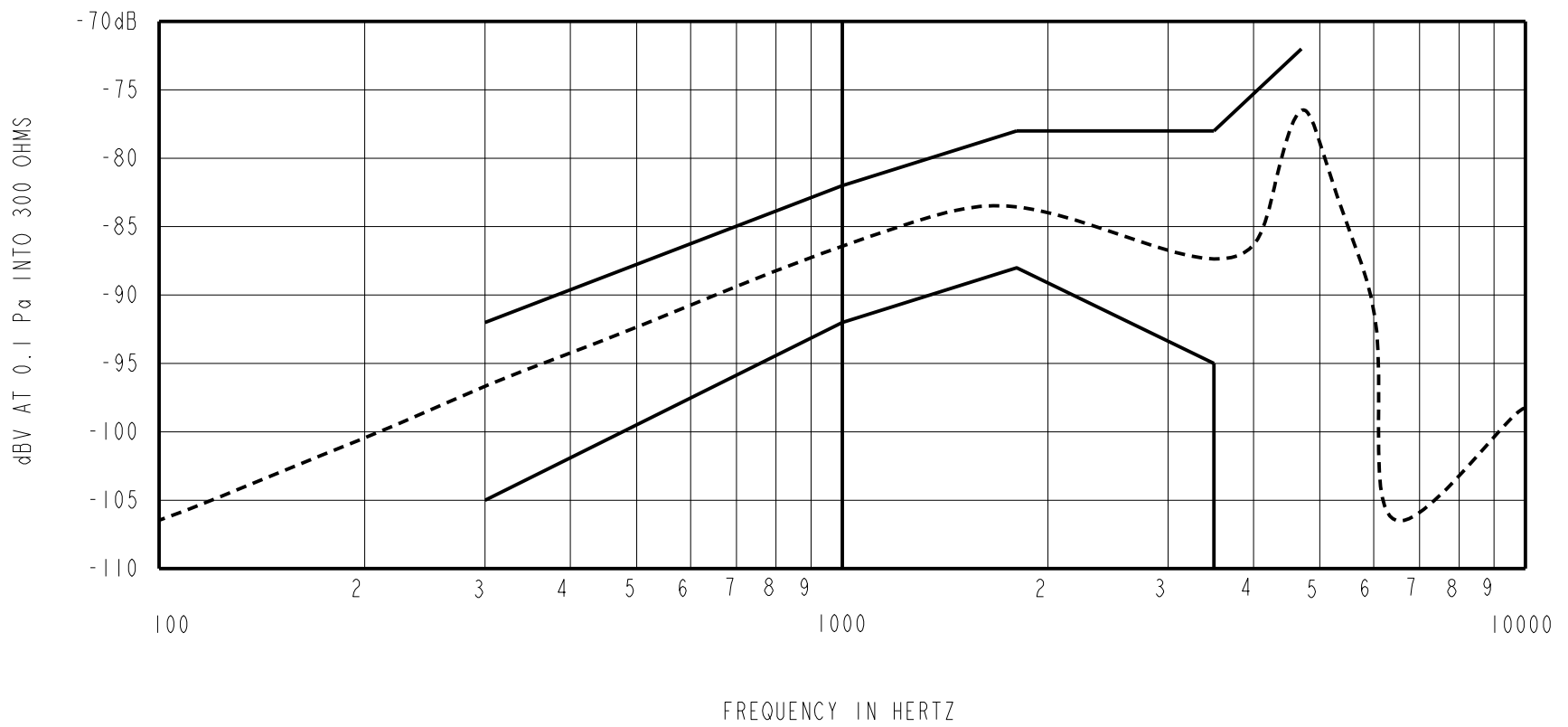
WIRE COLOR		WEIGHT GRAMS
+ve	OUTPUT	
RED	-	t.b.d.

DIMENSIONS IN MILLIMETERS [INCHES]

Revision	C.O. #	Implementation Date	RELEASE LEVEL	REVISION
H	C40101206	3-4-13	Active	H
G	C40100594	2-28-11		

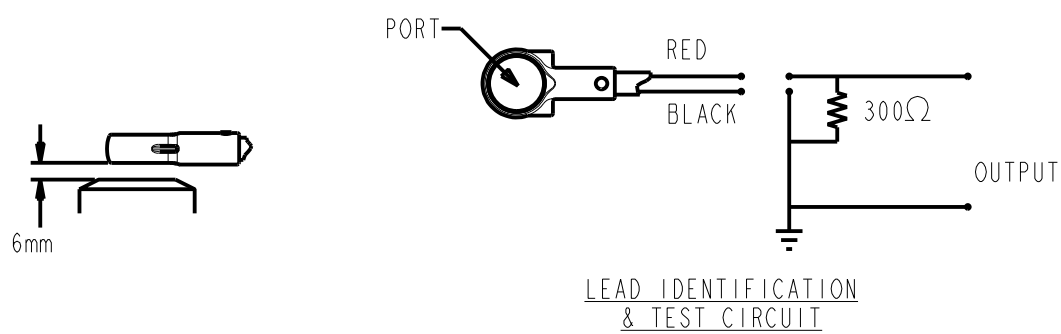
SCALE: 1:1		DR. BY: CRG	DATE: 4-28-08
DO NOT SCALE DRAWING		CK. BY: GJP	DATE: 8-4-06
TITLE: BOOM MICROPHONE		APP. BY: GJP	DATE: 8-4-06
OUTLINE DRAWING		FB-EI-30026-000 SHT 1.1	

**KNOWLES ELECTRONICS**  
ITASCA, ILLINOIS U.S.A.



NOTES:

- SENSITIVITY VALUES INDICATED ON THIS SPECIFICATION ARE VALID AT 50% HUMIDITY.
- | FREQUENCY | SENSITIVITY |       |      |
|-----------|-------------|-------|------|
|           | NIN.        | NOM.  | MAX. |
| 300       | -105        | -97.5 | -92  |
| 1000      | -92         | -87   | -82  |
| 1800      | -88         | -83   | -78  |
| 3500      | -95         | -87.5 | -78  |
| 4000      | ---         | -86.5 | ---  |
| 4700      | ---         | -76.5 | -72  |
- TEST CONDITIONS:  
HEAD OF BOOM EXPOSED TO 94 dB SPL SWEPT SOUND FIELD AT 6mm FROM VOICE APERTURE.  
ARTIFICIAL VOICE:  
B & k 4227 MOUTH SIMULATOR.
- FOR MICROPHONE CAPSULE SPEC. SEE DRAWING BJ-28471-000 SHEET 2.1.



Revision	C.O. #	Implementation Date	RELEASE LEVEL	REVISION
H	C40101206	3-4-13	<b>Active</b>	<b>H</b>
G	C40100594	2-28-11		
WHEN TEST LIMITS ARE USED TO ESTABLISH INCOMING INSPECTION ACCEPTANCE/REJECTION CRITERIA, CORRELATION OF TEST EQUIPMENT WITH KNOWLES IS ALSO REQUIRED FOR ELIMINATION OF EQUIPMENT AND TEST METHOD VARIATION			DR. BY	DATE
TITLE: <b>BOOM MICROPHONE</b> <b>FB-EI-30026-000</b> PERFORMANCE SPECIFICATION <b>SHT 2.1</b>			CRG	4-28-08
			CK. BY	DATE
			GJP	8-4-06
			APP. BY	DATE
			GJP	8-4-06

**KNOWLES ELECTRONICS**  
ITASCA, ILLINOIS U.S.A.