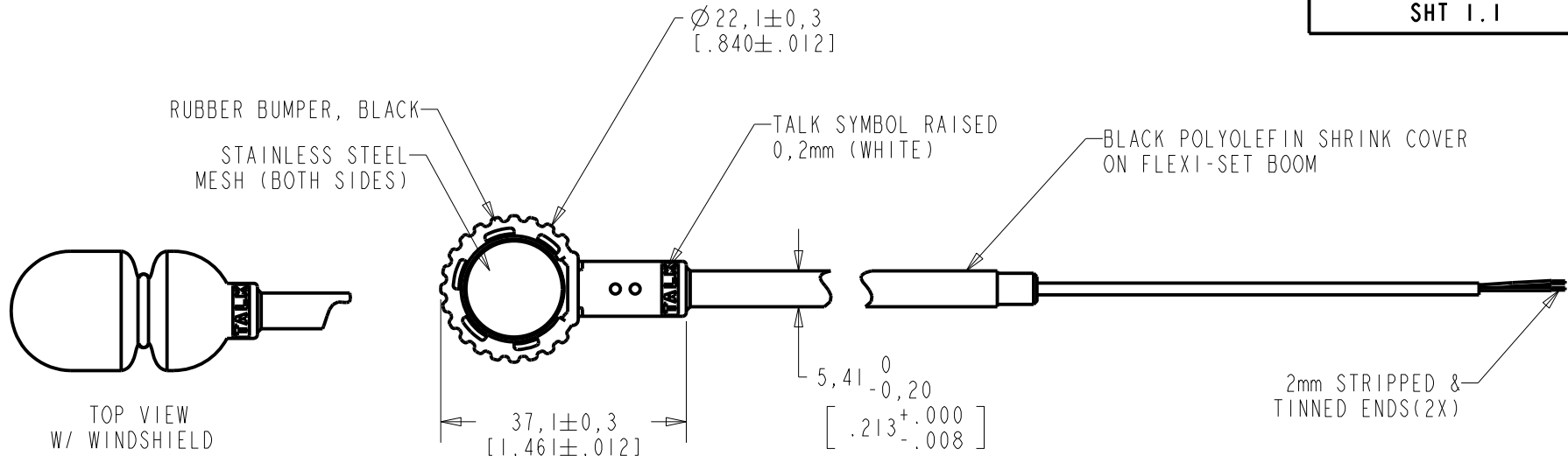
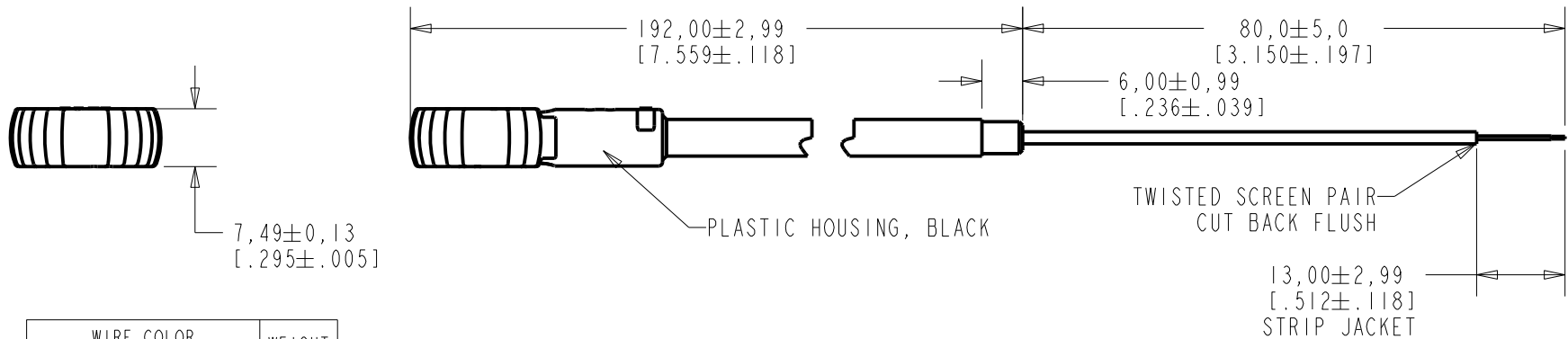


FB-EI-31552-000

SHT 1.1



TOP VIEW  
W/ WINDSHIELD  
SHOWN  
SCALE 1:1



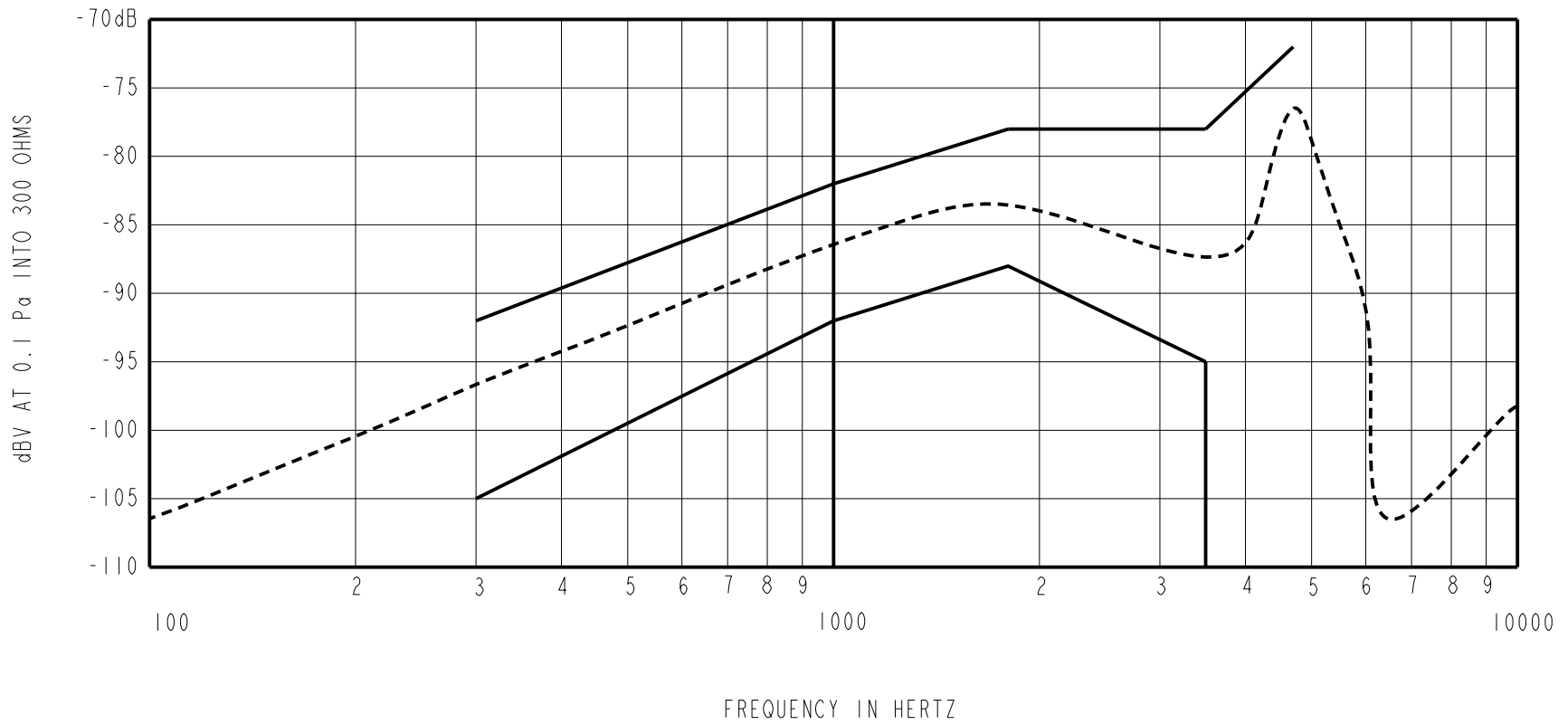
WIRE COLOR			WEIGHT GRAMS
+ve	-ve		
RED	GREEN	SHIELD	t.b.d.

DIMENSIONS IN MILLIMETERS [INCHES]

Revision	C.O. #	Implementation Date	RELEASE LEVEL	REVISION
B	C40101206	3-7-13	Active	B
A	C40101075	8-7-12		

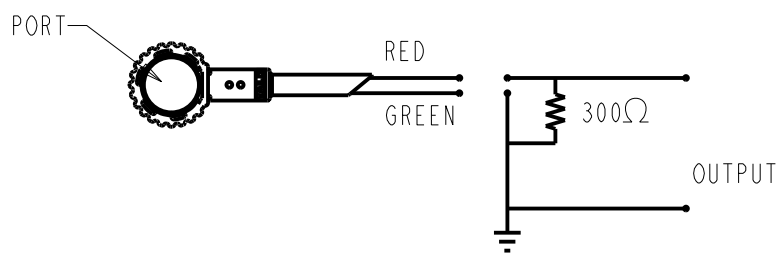
SCALE: 1:1		DR. BY: OQ	DATE: 8-7-12
DO NOT SCALE DRAWING		CK. BY: GJP	DATE: 8-9-12
TITLE: BOOM MICROPHONE FB-EI-31552-000		APP. BY: GJP	DATE: 8-9-12
OUTLINE DRAWING		SHT 1.1	

**KNOWLES ELECTRONICS**  
ITASCA, ILLINOIS U.S.A.

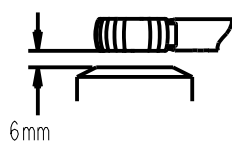


NOTES:

- SENSITIVITY VALUES INDICATED ON THIS SPECIFICATION ARE VALID AT 50% HUMIDITY.
- | FREQUENCY | SENSITIVITY |       |      |
|-----------|-------------|-------|------|
|           | NIN.        | NOM.  | MAX. |
| 300       | -105        | -97.5 | -92  |
| 1000      | -92         | -87.0 | -82  |
| 1800      | -88         | -83.0 | -78  |
| 3500      | -95         | -87.5 | -78  |
| 4000      | ---         | -86.5 | ---  |
| 4700      | ---         | -76.5 | -72  |
- TEST CONDITIONS:  
HEAD OF BOOM EXPOSED TO 94 dBSPL SWEPT SOUND FIELD AT 6mm FROM VOICE APERTURE.  
ARTIFICIAL VOICE:  
B & k 4227 MOUTH SIMULATOR.
- FOR MICROPHONE CAPSULE SPEC. SEE DRAWING BJ-28471-000 SHEET 2.1.
- SURVIVES SUBMERSION IN 1m WATER FOR 30 MINUTES; SENSITIVITY WITHIN 3dB OF INITIAL SENSITIVITY AFTER DRIED FOR 30 MINUTES AT ROOM TEMPERATURE.



LEAD IDENTIFICATION & TEST CIRCUIT



Revision	C.O. #	Implementation Date	RELEASE LEVEL	REVISION
B	C40101206	3-7-13	Active	B
A	C40101075	8-7-12		

**KNOWLES ELECTRONICS**  
ITASCA, ILLINOIS U.S.A.

WHEN TEST LIMITS ARE USED TO ESTABLISH INCOMING INSPECTION ACCEPTANCE/REJECTION CRITERIA, CORRELATION OF TEST EQUIPMENT WITH KNOWLES IS ALSO REQUIRED FOR ELIMINATION OF EQUIPMENT AND TEST METHOD VARIATION

TITLE: **BOOM MICROPHONE** **FB-EI-31552-000**  
PERFORMANCE SPECIFICATION **SHT 2.1**

DR. BY	DATE
OO	8-7-12
CK. BY	DATE
GJP	8-9-12
APP. BY	DATE
GJP	8-9-12