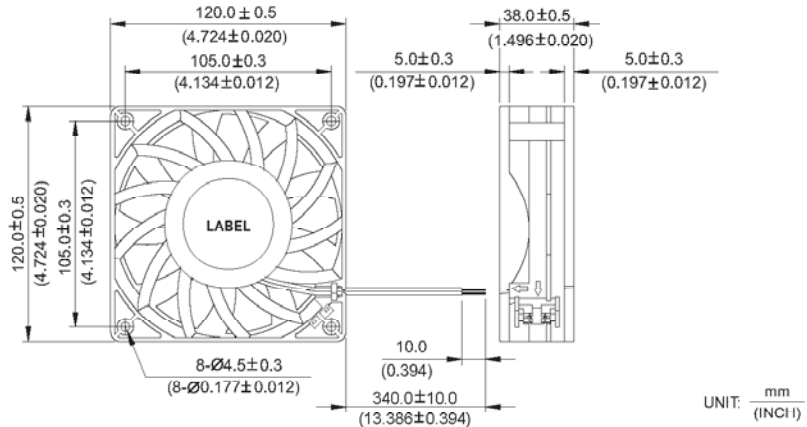


FFB 120 x 120 x 38 MM SERIES

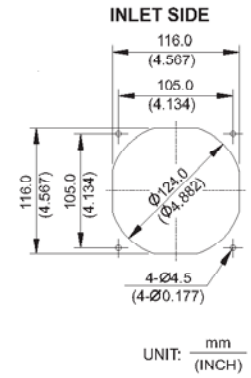
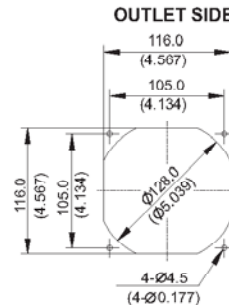
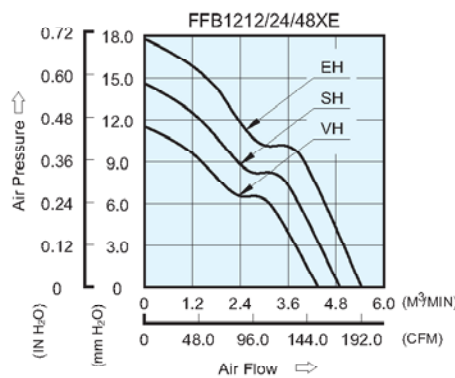
DIMENSIONS DRAWING



UNIT: mm (INCH)

P & Q CURVE (AT RATED VOLTAGE)

MOUNTING PANEL CUTOUT



UNIT: mm (INCH)

- * Bearing Type
Ball Bearings
- * Material
Impeller & Frame : Plastic (UL 94V-0)
- * Lead Wires :
UL 1007 AWG #24 OR Equivalent
Red Wire Positive (+)
Black Wire Negative (-)
- * Weight : 370g (13.05 oz)

| MODEL | | Rated Voltage | Operating Voltage Range | Rated Current | Rated Input Power | Speed | Maximum Air Flow | | Maximum Air Pressure | | Noise |
|------------|-------------|---------------|-------------------------|---------------|-------------------|--------|---------------------|--------|----------------------|---------------------|-------|
| PART NO. | FUNCTION | VDC | VDC | Amp | Watt | R.P.M. | m ³ /min | CFM | mmH ₂ O | IN H ₂ O | dB-A |
| FFB1212VHE | -R00 / -F00 | 12 | 7.0 to 13.2 | 1.00 | 12.00 | 3200 | 4.300 | 151.85 | 11.30 | 0.445 | 53.0 |
| FFB1224VHE | -R00 / -F00 | 24 | 14.0 to 26.4 | 0.56 | 13.44 | | | | | | |
| FFB1248VHE | -R00 / -F00 | 48 | 28.0 to 56.0 | 0.28 | 13.44 | | | | | | |
| FFB1212SHE | -R00 / -F00 | 12 | 7.0 to 13.2 | 1.50 | 18.00 | 3600 | 4.840 | 170.92 | 14.30 | 0.563 | 56.5 |
| FFB1224SHE | -R00 / -F00 | 24 | 14.0 to 26.4 | 0.80 | 19.20 | | | | | | |
| FFB1248SHE | -R00 / -F00 | 48 | 28.0 to 56.0 | 0.38 | 18.24 | | | | | | |
| FFB1212EHE | -R00 / -F00 | 12 | 7.0 to 13.2 | 2.00 | 24.00 | 4000 | 5.380 | 190.00 | 17.78 | 0.700 | 59.0 |
| FFB1224EHE | -R00 / -F00 | 24 | 14.0 to 26.4 | 1.00 | 24.00 | | | | | | |
| FFB1248EHE | -R00 / -F00 | 48 | 28.0 to 53.0 | 0.50 | 24.00 | | | | | | |

* Function type is optional.
 * The max. air flow and the speed are measured in free air ; max. air pressure is measured at zero air flow.
 * Noise is measured in anechoic chamber in free air, one meter from intake side.
 * All readings are typical values at rated voltage.
 * Specifications are subject to change without notice.