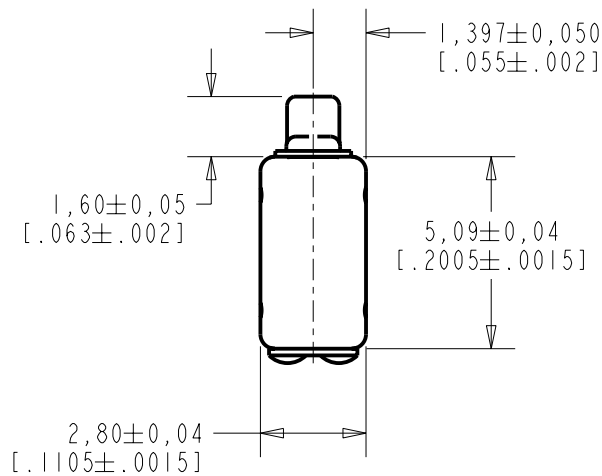
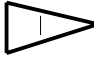


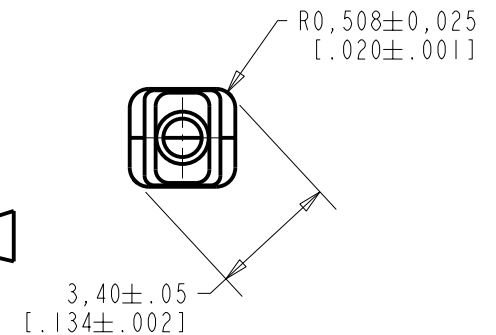
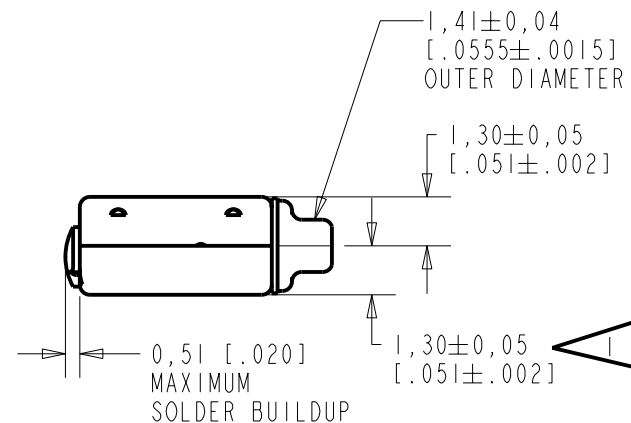
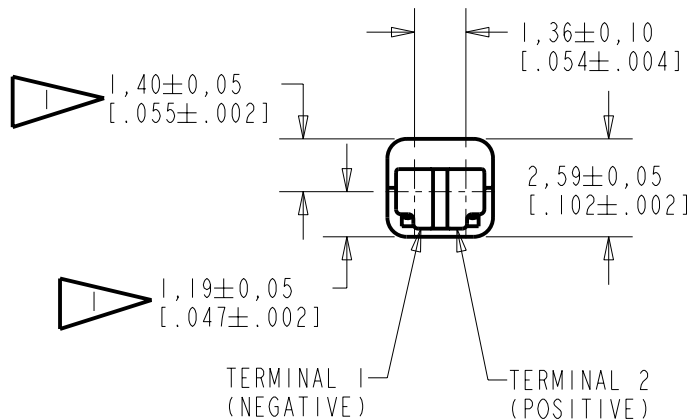
**FH-23377-000**

**SHT 1.1**



NOTES:

 LOCATED FROM TWO SURFACES FOR CUSTOMER CONVENIENCE. ONLY APPLICABLE FROM ONE SURFACE, NOT TO BE USED TOGETHER. HORIZONTAL LOCATION FOR TERMINAL CENTERED TO  $\pm 0,17$  [.007].

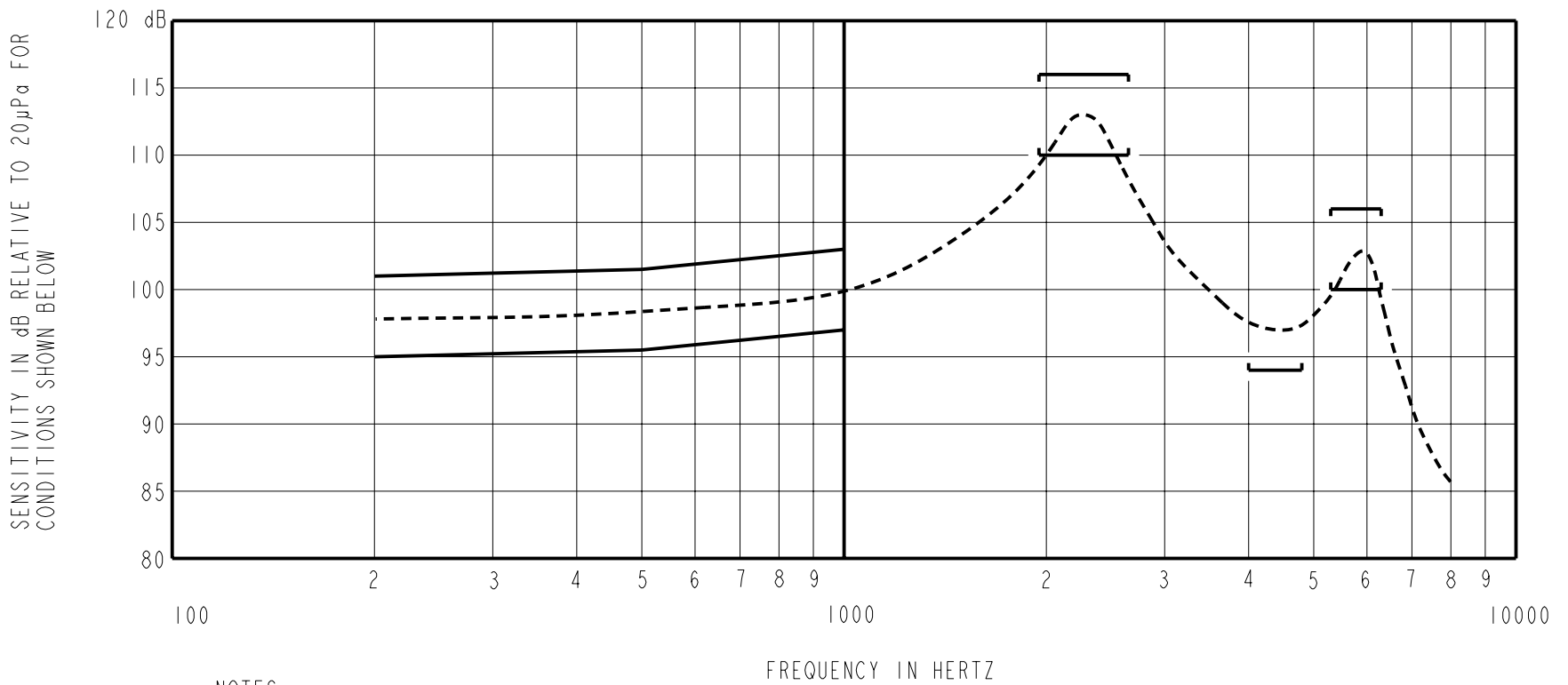


NOMINAL WEIGHT  
.18 GRAMS DIMENSIONS IN MILLIMETERS [INCHES]

**KNOWLES ELECTRONICS**  
ITASCA, ILLINOIS U.S.A.

Revision	C.O. #	Implementation Date	RELEASE LEVEL	REVISION
			<b>Released</b>	<b>A</b>
A	C10103105	9-15-05		

SCALE: <b>5:1</b>		DR. BY	DATE
DO NOT SCALE DRAWING		MMM	9-15-05
		CK. BY	DATE
TITLE: <b>RECEIVER</b>		GJP	9-20-05
		<b>FH-23377-000</b>	
OUTLINE DRAWING		APP. BY	DATE
		GJP	9-20-05



NOTES:

1. MEASUREMENTS MADE USING 10mm (.394") OF 1mm (.039") ID TUBE CONNECTED TO A SIMULATED ANSI S3.3-1960 TYPE HA-3 COUPLER. (T3420 AND B&K 080138)

2. SENSITIVITY

FREQUENCY	MIN.	MAX.
200	95.0	101.0
500	95.5	101.5
1000	97.0	103.0
1950-2650	110.0	116.0
4000-4800	94.0	---
5300-6300	100.0	106.0

- 3. RESPONSE, IMPEDANCE, AND DISTORTION MEASUREMENTS MADE USING THE ELECTRICAL TEST CONDITIONS SHOWN BELOW.
- 4. ELECTRICAL SOURCE IMPEDANCE MUST BE GREATER THAN 20 TIMES 1kHz IMPEDANCE FOR TEST CONDITIONS SHOWN BELOW.
- 5. INDIVIDUAL SPECIFICATIONS.

PORT LOCATION	IMPEDANCE OHMS ±15%		DCR @20°C OHMS ±10%	DISTORTION		ELECTRICAL TEST CONDITIONS	
	1KHz	500Hz		MAX. %	FREQ Hz	AC mA RMS	DC mA
12S	1030	685	515	5	750	0.56	0.00

Revision	C.O. #	Implementation Date	RELEASE LEVEL	REVISION
A	C10103105	9-15-05	Released	A

**KNOWLES ELECTRONICS**  
ITASCA, ILLINOIS U.S.A.

WHEN TEST LIMITS ARE USED TO ESTABLISH INCOMING INSPECTION ACCEPTANCE/REJECTION CRITERIA, CORRELATION OF TEST EQUIPMENT WITH KNOWLES IS ALSO REQUIRED FOR ELIMINATION OF EQUIPMENT AND TEST METHOD VARIATION

TITLE: **RECEIVER** FH-23377-000  
PERFORMANCE SPECIFICATION SHT 2.1

DR. BY	DATE
MMM	9-15-05
CK. BY	DATE
GJP	9-20-05
APP. BY	DATE
GJP	9-20-05