

IEC Power Entry Inlet with Line Filter

- IEC320-C14 Filtered Inlet
- Single Fuse
- Input Switch
- Screw Mount
- Compact Design
- ITE Applications
- 1, 2, 4, 6 & 10A Rating
- 6.3 x 0.8mm Faston Terminals
- Bleed Resistor
- Shielded Metal Body
- Wide Operating Temperature Range
- 3 Year Warranty

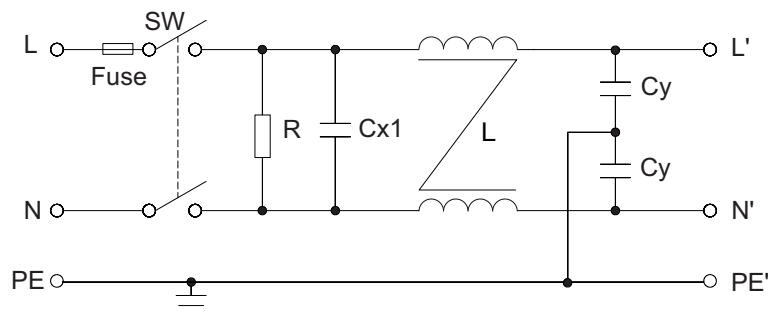


Combining a double pole switch, front accessible (when the mains connector is disconnected) single fuse and a filtered IEC320-C14 inlet in a compact single housing, the FFSA is designed for ITE applications. When fitted to mains powered equipment, they provide excellent attenuation to conducted electro-magnetic interference from the mains supply, whilst reducing any conducted emissions from within the equipment onto the mains supply. Suitable for class I appliances, all models feature a shielded metal body, and are fitted with a bleed resistor to safely discharge the filter capacitors when power is disconnected. Safety approvals are EN60939-2 for passive filters & ANSI/UL1283 for EMI filters. They feature a wide operating temperature range of -40°C to +110°C with full power operation up to +50°C.

Specifications

| Characteristics | Minimum | Typical | Maximum | Units | Notes and Conditions |
|-----------------------|---|---------|---------|-------|--|
| Rated Voltage | | | 250 | VAC | |
| Input Frequency | DC | | 400 | Hz | |
| Rated Current | 1 | | 10 | A | See models and ratings table |
| Earth Leakage Current | 0.25 | | 0.48 | mA | See models and ratings table |
| MTBF | 1.35 | | | MHrs | MIL-HDBK 217F, 250VAC at 40°C |
| Flammability Rating | UL94V-2 | | | | |
| Temperature Operating | -40 | | 110 | °C | See derating curve |
| Safety Approvals | EN60939-2 | | | | Passive filter units for EMI suppression |
| | ANSI/UL1283 | | | | Electromagnetic Interference Filters |
| Terminals | Faston 6.3 x 0.8mm straight | | | | |
| Protection Class | Suitable for appliances with protection Class I | | | | |
| Dielectric Strength | | 1500 | | VAC | |

Electrical Schematic

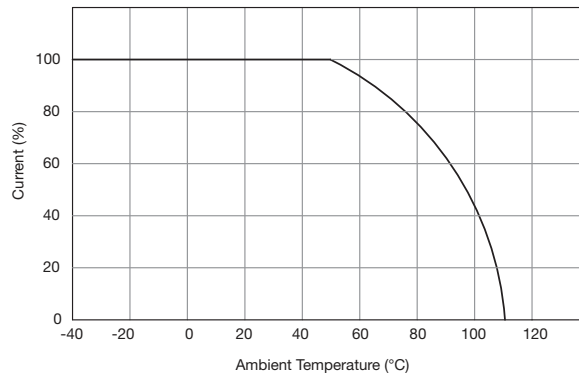


Note: Fuse not supplied

Models & Ratings

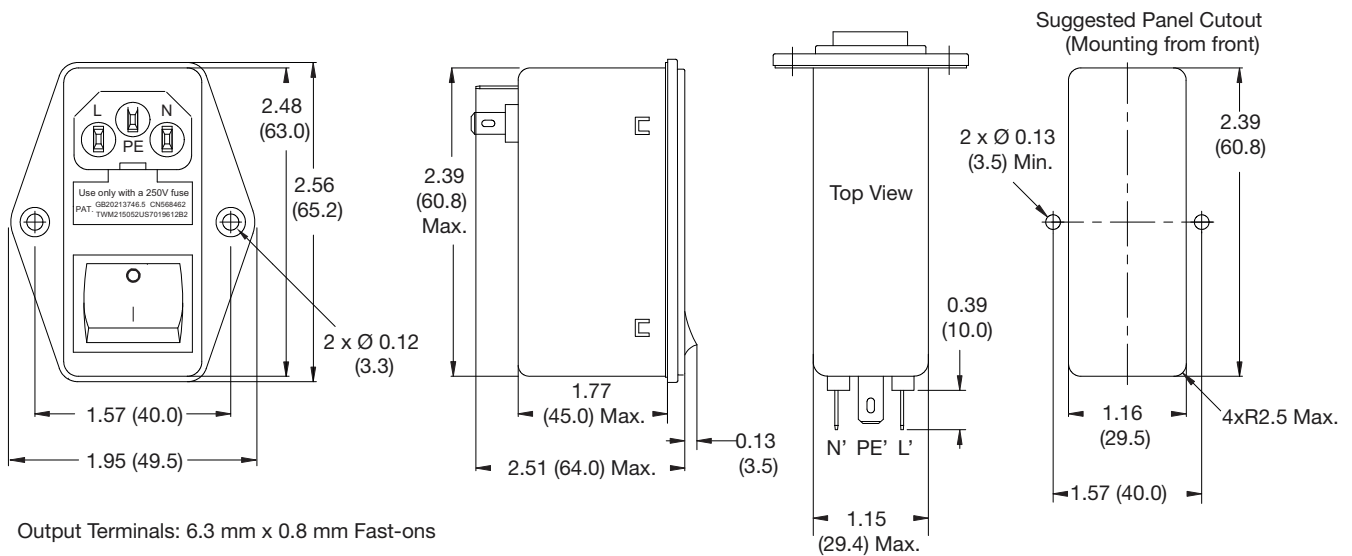
| Rated current | Leakage current | | Inductance @10kHz, 0.25V | Capacitance | | Resistance | Weight | Application | Mounting | Filter |
|---------------|-----------------|-------------|-----------------------------|-------------|------------|-------------|--------|-------------|----------|------------|
| | 115VAC/60Hz | 250VAC/50Hz | | Cx | Cy | | | | | |
| 1A | 0.25mA | 0.45mA | 2 x 6.5mH | 0.1 μ F | 2 x 2.2 nF | 1M Ω | 96g | ITE | Screw | FFSAS01BFR |
| 2A | 0.25mA | 0.45mA | 2 x 3.8mH | 0.1 μ F | 2 x 2.2 nF | 1M Ω | 96g | ITE | Screw | FFSAS02BFR |
| 4A | 0.25mA | 0.45mA | 2 x 1.6mH | 0.1 μ F | 2 x 2.2 nF | 1M Ω | 96g | ITE | Screw | FFSAS04BFR |
| 6A | 0.25mA | 0.45mA | 2 x 0.8mH | 0.1 μ F | 2 x 2.2 nF | 1M Ω | 98g | ITE | Screw | FFSAS06BFR |
| 10A | 0.25mA | 0.45mA | 2 x 0.2mH | 0.1 μ F | 2 x 2.2 nF | 1M Ω | 104g | ITE | Screw | FFSAS10BFR |

Thermal Derating



Mechanical Details

All dimensions in inches (mm)



Output Terminals: 6.3 mm x 0.8 mm Fast-ons

Fuse is not supplied. Correct fuse dimensions are 5mm x 20mm