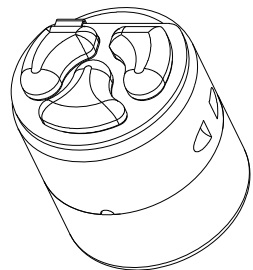
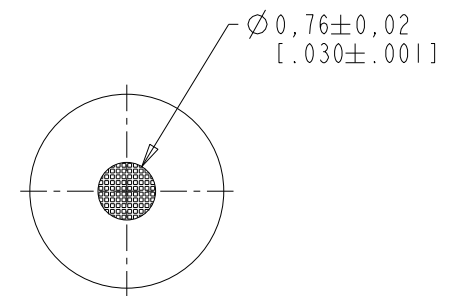
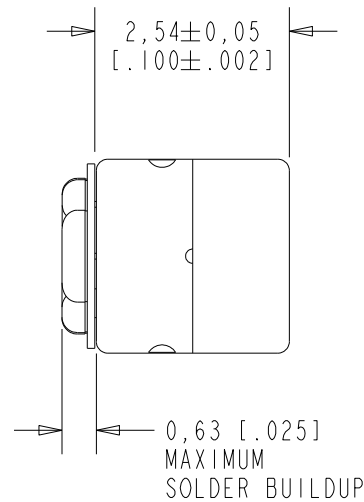
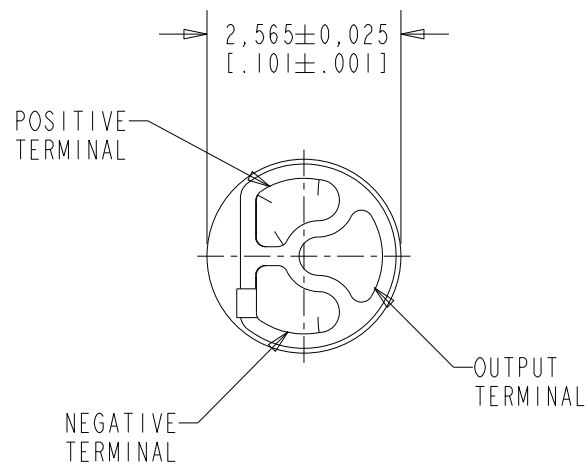


FG-23329-D65

SHT 1.1



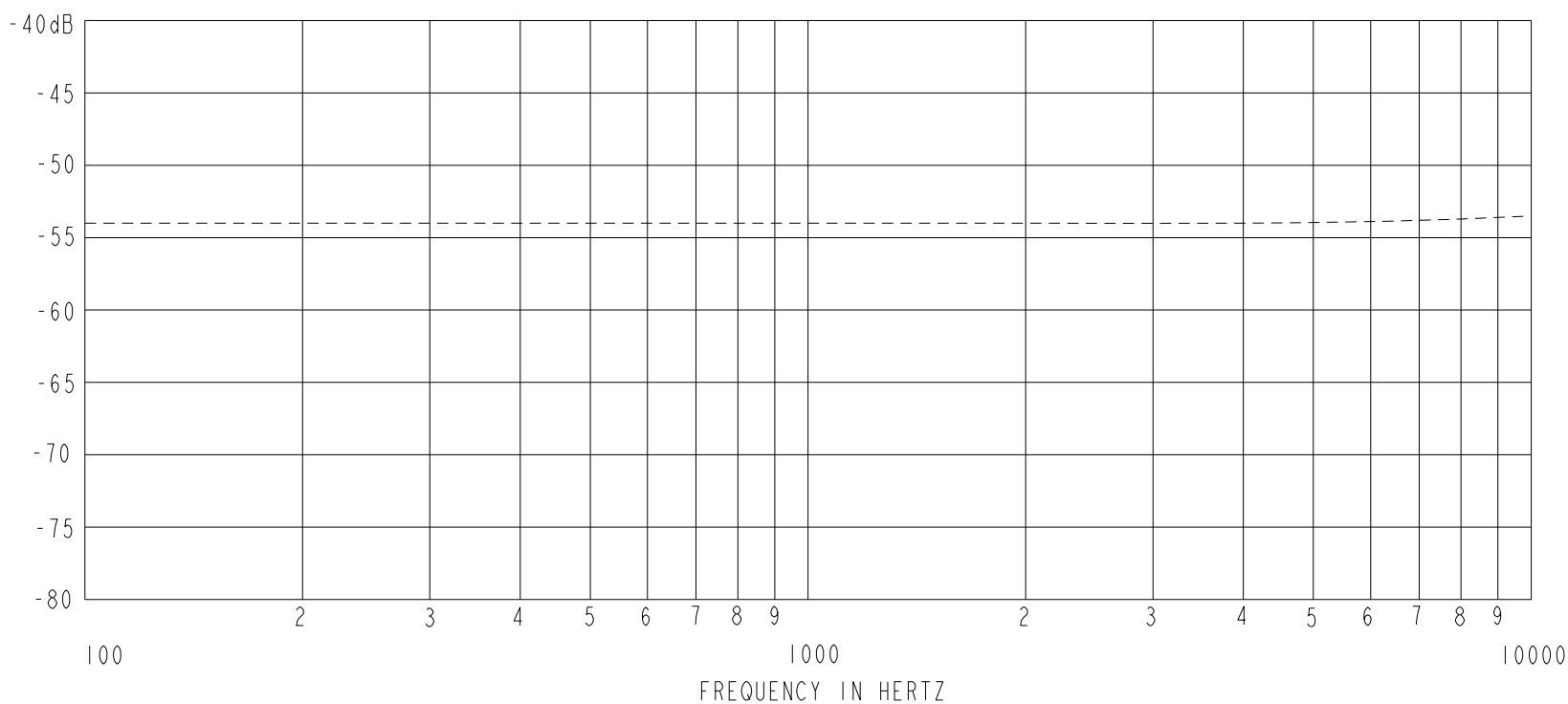
DIMENSIONS IN MILLIMETERS [INCHES]

Revision	C.O. #	Implementation Date	RELEASE LEVEL	REVISION
I	MI0106960	11-18-16	Active	I
H	MI0106522	6-14-16		
G	MI0105709	10-20-14		

SCALE: 10:1		DR. BY: SDZ	DATE: 7-27-09
DO NOT SCALE DRAWING			
TITLE: MICROPHONE		FG-23329-D65	
OUTLINE DRAWING		SHT 1.1	
		APP. BY: GJP	DATE: 7-27-09

KNOWLES CORPORATION

SENSITIVITY IN dB RELATIVE TO 1.0 VOLT/0.1 Pa (N/M²)
FOR CONDITIONS SHOWN BELOW.



FREQUENCY	SENSITIVITY			DEVICE CONFORMITY	
	MIN.	NOM.	MAX.	RANGE OF DEVIATION FROM 1KHz	
100	---	-54.0	---	-3.0	+3.0
1000	-57.0	-54.0	-51.0	0.0	0.0
10000	---	-53.5	---	-3.0	+4.0

- NOTES:
1. CASE CONNECTED TO NEGATIVE TERMINAL.
 2. MICROPHONE TO BE FUNCTIONAL WITH 3.0 VDC SUPPLY.
 3. TYPICAL SENSITIVITY TO HUMIDITY AT 1000Hz IS 0.06 dB/%RH
 4. SENSITIVITY AND NOISE VALUES INDICATED ON THIS SPECIFICATION ARE VALID AT 50% HUMIDITY.

DC SUPPLY	AMPLIFIER CURRENT DRAIN	SENSITIVITY CHANGE ON CHANGING SUPPLY TO 0.9VDC AND 3.0 VDC	"A" WEIGHTED NOISE (1 kHz EQUIV. SPL)	OUTPUT IMPEDANCE OHMS		
				MIN.	NOM.	MAX.
1.3V	50 μ A MAX.	3 dB MAX.	30.0 dB MAX.	2800	4400	6800

Revision	C.O. #	Implementation Date	RELEASE LEVEL	REVISION
I	M10106960	11-18-16	Active	
H	M10106522	6-14-16		
G	M10105709	10-20-14		

KNOWLES CORPORATION

WHEN TEST LIMITS ARE USED TO ESTABLISH INCOMING INSPECTION ACCEPTANCE/REJECTION CRITERIA, CORRELATION OF TEST EQUIPMENT WITH KNOWLES IS ALSO REQUIRED FOR ELIMINATION OF EQUIPMENT AND TEST METHOD VARIATION

TITLE: MICROPHONE
PERFORMANCE SPECIFICATION

FG-23329-D65
SHT 2.1

DR. BY	DATE
SDZ	7-27-09
CK. BY	DATE
GJP	7-27-09
APP. BY	DATE
GJP	7-27-09