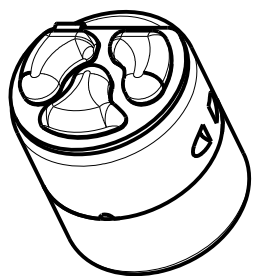
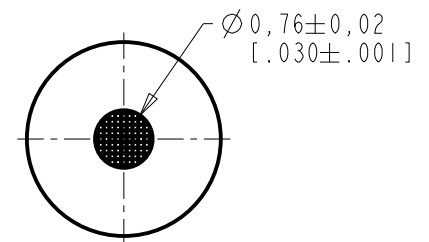
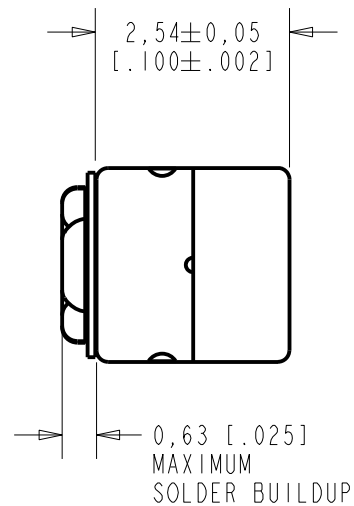
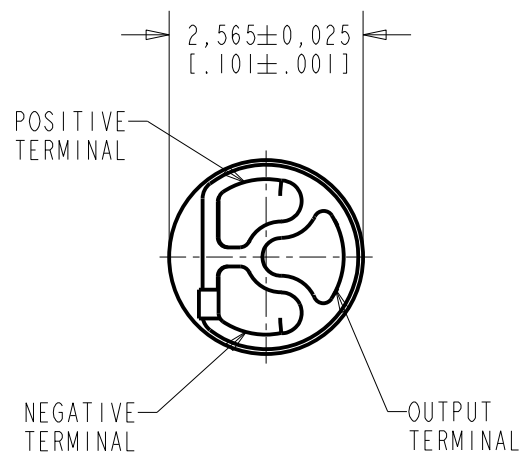


FC-26163-000

SHT 1.1

NOTES:

- INCREASED PRESSURE AT THE SOUND INLET CAUSES A POSITIVE GOING VOLTAGE TO APPEAR AT THE OUTPUT TERMINAL, RELATIVE TO THE NEGATIVE TERMINAL.

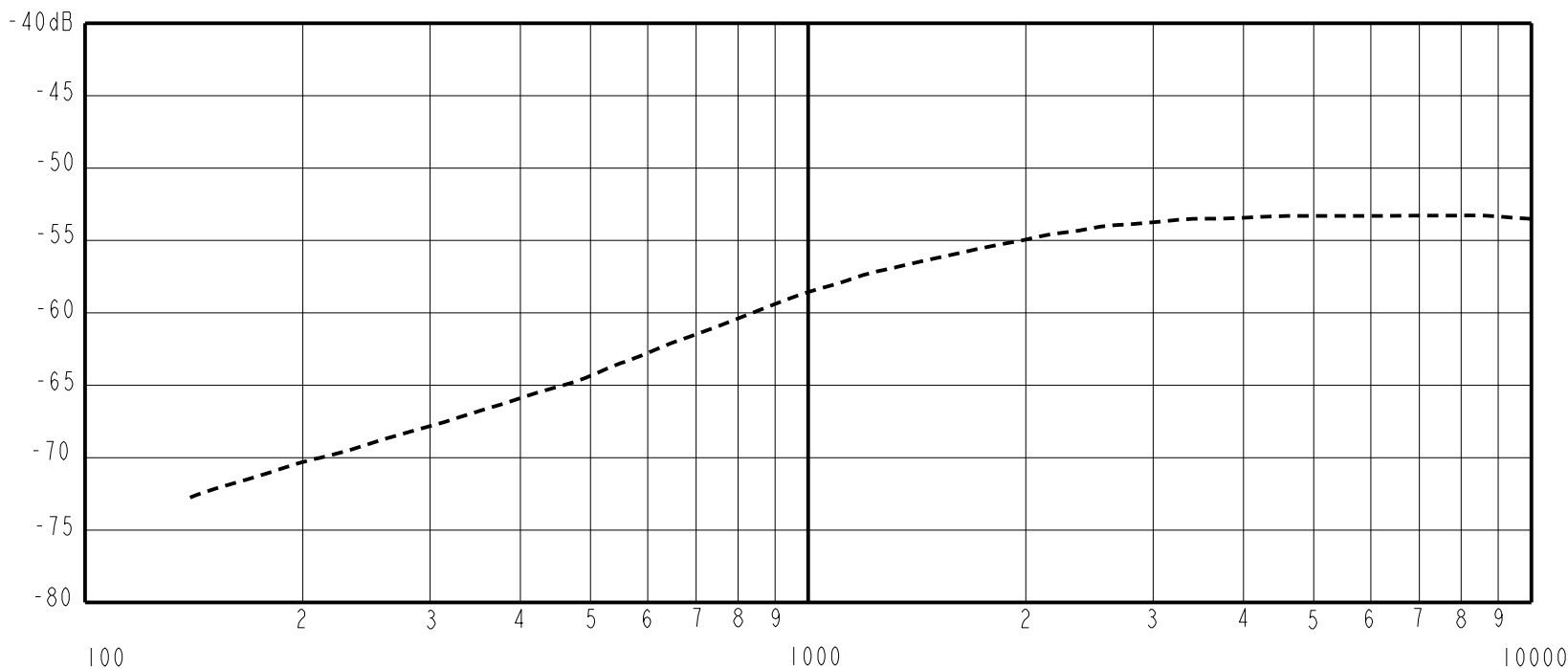


DIMENSIONS IN MILLIMETERS [INCHES]

KNOWLES ELECTRONICS
ITASCA, ILLINOIS U.S.A.

| Revision | C.O. # | Implementation Date | RELEASE LEVEL | REVISION |
|--------------------------|-----------|---------------------|---------------|----------|
| | | | Active | G |
| G | MI0105709 | 10-11-14 | | |
| SCALE: 10:1 | | | | |
| DO NOT SCALE DRAWING | | | DR. BY | DATE |
| TITLE: MICROPHONE | | | MMM | 3-6-06 |
| FC-26163-000 | | | CK. BY | DATE |
| SHT 1.1 | | | GJP | 3-8-06 |
| OUTLINE DRAWING | | | APP. BY | DATE |
| | | | GJP | 3-8-06 |

SENSITIVITY IN dB RELATIVE TO 1.0 VOLT/0.1 Pa (N/M²)
FOR CONDITIONS SHOWN BELOW



| FREQUENCY | SENSITIVITY | | | DEVICE CONFORMITY | |
|-----------|-------------|-------|-------|---------------------------------|------|
| | MIN. | NOM. | MAX. | RANGE OF DEVIATION FROM 3.5 kHz | |
| 500 | --- | -64.5 | --- | -14.0 | -8.0 |
| 1000 | --- | -58.5 | --- | -9.0 | -1.0 |
| 3500 | -56.5 | -53.5 | -50.5 | 0.0 | 0.0 |
| 10000 | --- | -53.5 | --- | -3.0 | +3.0 |

- NOTES:
1. CASE CONNECTED TO NEGATIVE TERMINAL.
 2. MICROPHONE TO BE FUNCTIONAL WITH 1.6 VDC SUPPLY.
 3. TYPICAL SENSITIVITY TO HUMIDITY AT 3500Hz IS 0.06 dB/%RH
 4. SENSITIVITY AND NOISE VALUES INDICATED ON THIS SPECIFICATION ARE VALID AT 50% HUMIDITY.

| PORT LOCATION | DC SUPPLY | AMPLIFIER CURRENT DRAIN | SENSITIVITY CHANGE ON REDUCING SUPPLY TO 0.9VDC | "A" WEIGHTED NOISE (RE 1.0 VOLT) | OUTPUT IMPEDANCE OHMS | | |
|---------------|-----------|-------------------------|---|----------------------------------|-----------------------|------|------|
| | | | | | MIN. | NOM. | MAX. |
| I2S | 1.3V | 50 µA MAX. | 3 dB MAX. | -93.0 dB MAX. | 2800 | 4400 | 6800 |

| Revision | C.O. # | Implementation Date | RELEASE LEVEL | REVISION |
|----------|-----------|---------------------|---------------|----------|
| G | M10105709 | 10-11-14 | Active | G |

| | | | |
|--|--|---------|--------|
| WHEN TEST LIMITS ARE USED TO ESTABLISH INCOMING INSPECTION ACCEPTANCE/REJECTION CRITERIA, CORRELATION OF TEST EQUIPMENT WITH KNOWLES IS ALSO REQUIRED FOR ELIMINATION OF EQUIPMENT AND TEST METHOD VARIATION | | DR. BY | DATE |
| TITLE: MICROPHONE PERFORMANCE SPECIFICATION | | MMM | 3-6-06 |
| | | GJP | 3-8-06 |
| FC-26163-000 SHT 2.1 | | APP. BY | DATE |
| | | GJP | 3-8-06 |

KNOWLES ELECTRONICS
ITASCA, ILLINOIS U.S.A.