

Current Sense Inductors

FIS Series



- Current sense inductors, as feedback elements linking the output and pulse control circuitry, allow low-cost regulation of switch-mode power supplies
- Fully encapsulated with a frequency of 200 kHz maximum
- Isolation Pri to Sec: 2500 Vac
- Pri. current: 15 A maximum

Electrical Specifications @ 25°C - Operating Temperature -40°C to +125°C

Part Number	Prim/Sec Ratio	Sec L (mH MIN)	Sec DCR (Ω MAX)	V x τ (MAX)
FIS 101NL	1/50	5.0	0.65	175 VμS
FIS 111NL	1/100	22.0	1.30	350 VμS
FIS 121NL	1/200	94.5	4.50	700 VμS

Notes:

L: Inductance: (1-3) tested at 10 KHz & 10 mV

R_t (Ω): Recommended Terminating Resistance

$$V \times \tau: V = R_t \times I_s \quad \tau = \frac{1}{2F}$$

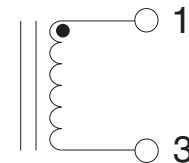
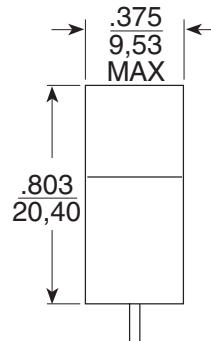
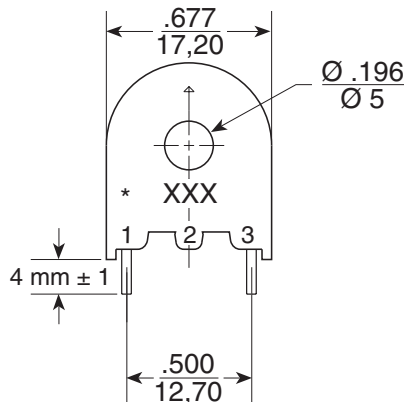
I_s (A): sec. current

F(Hz): Frequency

Mechanical

Schematic

FIS 1XXNL



For More Information

Pulse Worldwide Headquarters
12220 World Trade Drive
San Diego, CA 92128
U.S.A.

Pulse Europe
Einsteinstrasse 1
D-71083 Herrenberg
Germany

Pulse China Headquarters
B402, Shenzhen Academy of
Aerospace Technology Bldg.
10th Kejian Road
High-Tech Zone
Nanshan District
Shenzhen, PR China 518057
Tel: 86 755 33966678
Fax: 86 755 33966700

Pulse North China
Room 2704/2705
Super Ocean Finance Ctr.
2067 Yan An Road West
Shanghai 200336
China
Tel: 86 21 62787060
Fax: 86 2162786973

Pulse South Asia
135 Joo Seng Road
#03-02
PM Industrial Bldg.
Singapore 368363
Tel: 65 6287 8998
Fax: 65 6287 8998

Pulse North Asia
3F, No. 198
Zhongyuan Road
Zhongli City
Taoyuan County 320
Taiwan R. O. C.
Tel: 886 3 4356768
Fax: 886 3 4356823 (Pulse)
Fax: 886 3 4356820 (FRE)

Performance warranty of products offered on this data sheet is limited to the parameters specified. Data is subject to change without notice. Other brand and product names mentioned herein may be trademarks or registered trademarks of their respective owners. © Copyright, 2015. Pulse Electronics, Inc. All rights reserved.