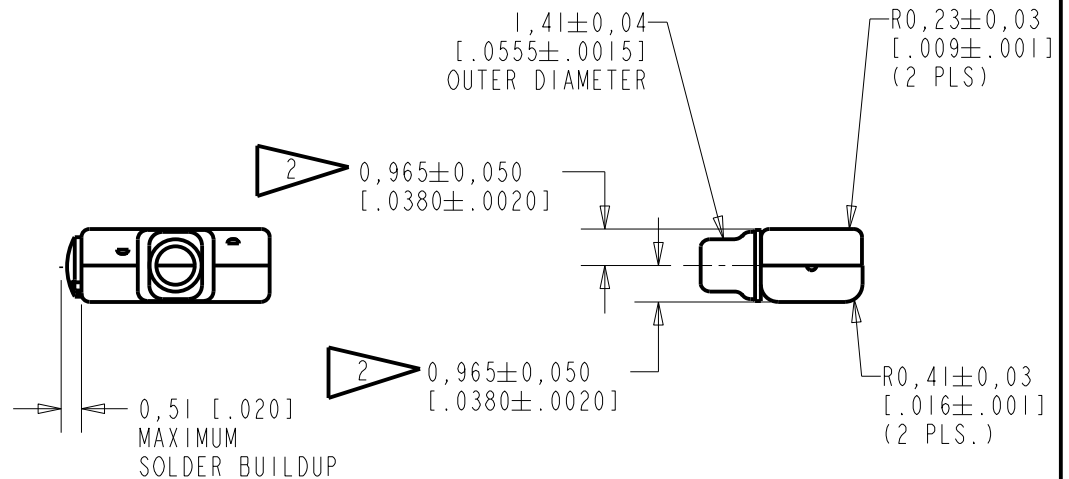
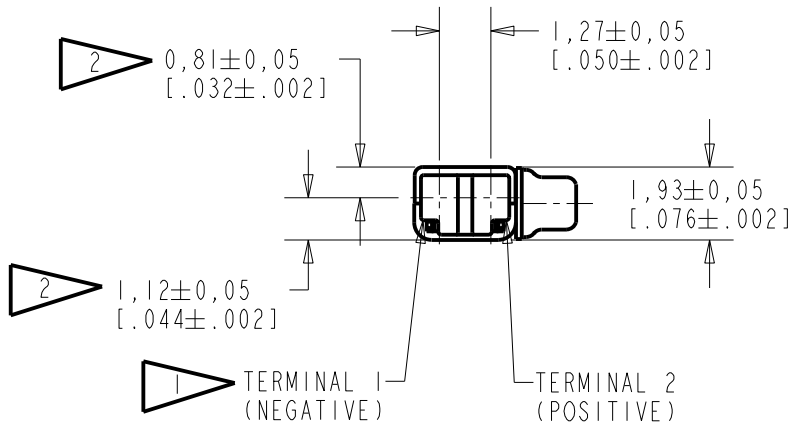
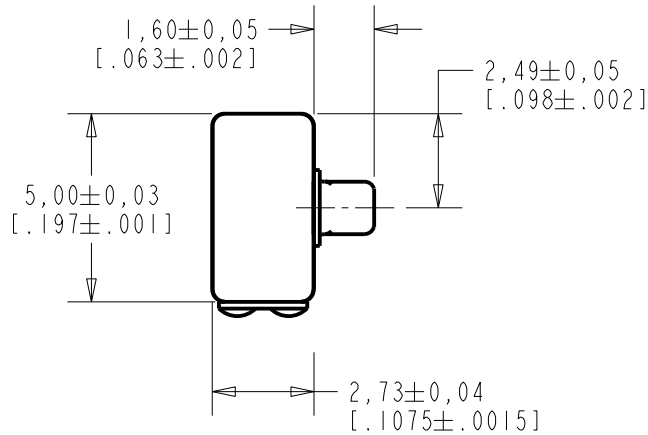


FK-26433-000

SHT 1.1

NOTES:

- 1 A POSITIVE GOING VOLTAGE AT TERMINAL 2, RELATIVE TO TERMINAL 1, CAUSES A DECREASE IN PRESSURE AT THE SOUND OUTLET.
- 2 LOCATED FROM TWO SURFACES FOR CUSTOMER CONVENIENCE. ONLY APPLICABLE FROM ONE SURFACE, NOT TO BE USED TOGETHER.



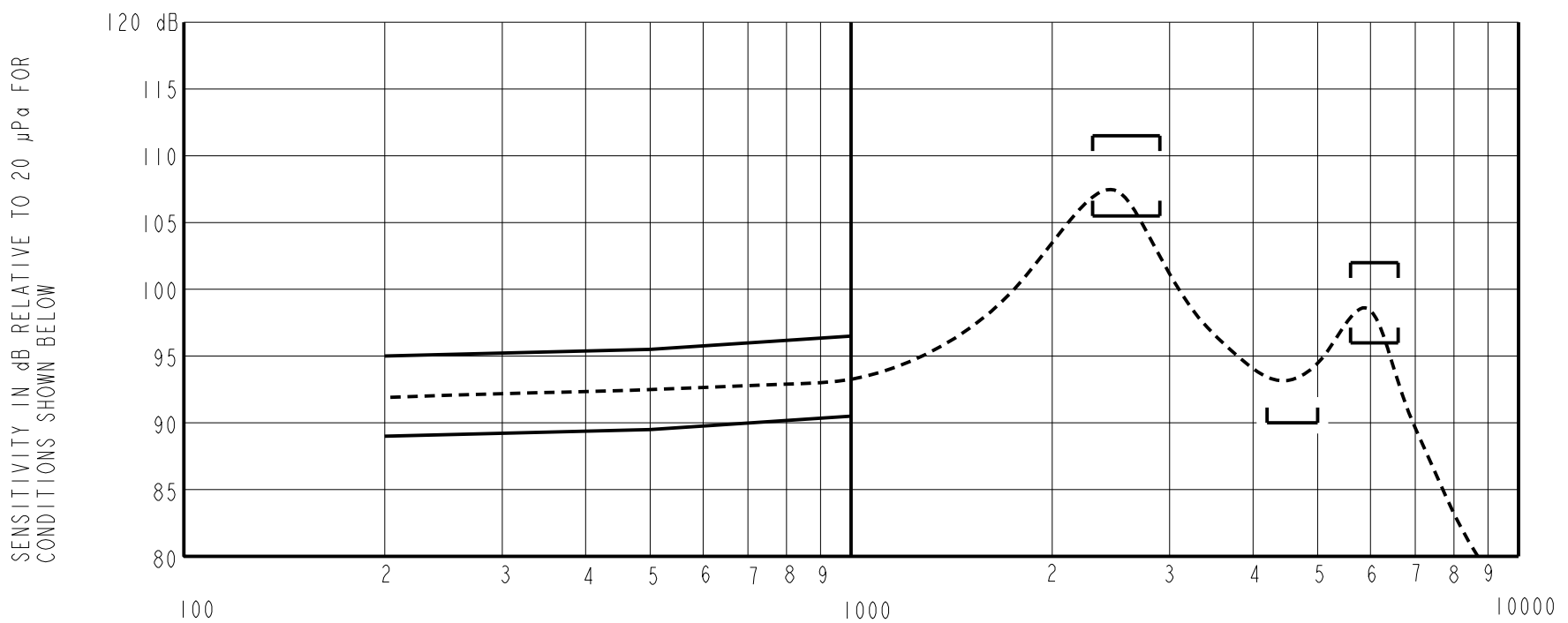
SCALE 2:1
NOMINAL WEIGHT .11 GRAMS

DIMENSIONS IN MILLIMETERS [INCHES]

Revision	C.O. #	Implementation Date	RELEASE LEVEL	REVISION
G	C10114032	11-7-12	Active	G

SCALE: 5:1	DR. BY DATE
DO NOT SCALE DRAWING	MMM 9-6-05
TITLE: RECEIVER	FK-26433-000
OUTLINE DRAWING	SHT 1.1
	CK. BY DATE
	GJP 9-12-05
	APP. BY DATE
	GJP 9-12-05

KNOWLES ELECTRONICS
ITASCA, ILLINOIS U.S.A.



ACOUSTICAL

SENSITIVITY
DEVICE PRODUCE THE SPL LISTED BELOW UNDER TEST CONDITIONS IN TABLE 3.
NOMINAL SENSITIVITY AT 1KHz IS dB RELATIVE TO 20 µPa.

FREQUENCY (Hz)	MINIMUM	NOMINAL	MAXIMUM
200	89.0	92.0	95.0
500	89.5	92.5	95.5
1000	90.5	93.5	96.5
2300-2900	105.5	110.5	115.5
4200-5000	90.0	---	---
5600-6600	96.0	99.0	102.0

PORT LOCATION: 3S

TABLE 1

TOTAL HARMONIC DISTORTION
DEVICE WILL NOT EXCEED TOTAL HARMONIC DISTORTION LEVELS LISTED BELOW.

FREQUENCY (Hz)	AC DRIVE (mA rms)	DC BIAS (mA)	LIMIT (%)
800	0.39	0	5
2400	0.78	0	10

TABLE 2

TEST CONDITIONS

NOMINAL SOURCE VOLTAGE	0.39 mA rms, 0 mA DC BIAS
SOURCE IMPEDANCE	<1 Ohm
TUBING	10mm [.394"] LONG, 1mm [.039"] I.D.
COUPLER CAVITY	2 CM ³ , SIMULATED ANSI S3.7 TYPE HA-3 (IEC 60318-5)

TABLE 3

ELECTRICAL

DC RESISTANCE	580 Ohms ± 10%
IMPEDANCE @ 500 Hz	690 Ohms ± 15%
IMPEDANCE @ 1kHz	940 Ohms ± 15%

TABLE 4

ISOLATION: CASE WILL BE ELECTRICALLY ISOLATED FROM THE COIL CIRCUIT.

Revision	C.O. #	Implementation Date	RELEASE LEVEL	REVISION
			Active	G
G	CI0114032	11-7-12		
WHEN TEST LIMITS ARE USED TO ESTABLISH INCOMING INSPECTION ACCEPTANCE/REJECTION CRITERIA, CORRELATION OF TEST EQUIPMENT WITH KNOWLES IS ALSO REQUIRED FOR ELIMINATION OF EQUIPMENT AND TEST METHOD VARIATION				
TITLE: RECEIVER			FK-26433-000	DR. BY DATE MMM 9-6-05
PERFORMANCE SPECIFICATION			SHT 2.1	CK. BY DATE GJP 9-12-05
				APP. BY DATE GJP 9-12-05

KNOWLES ELECTRONICS
ITASCA, ILLINOIS U.S.A.