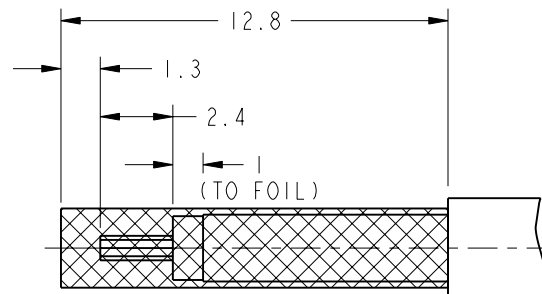


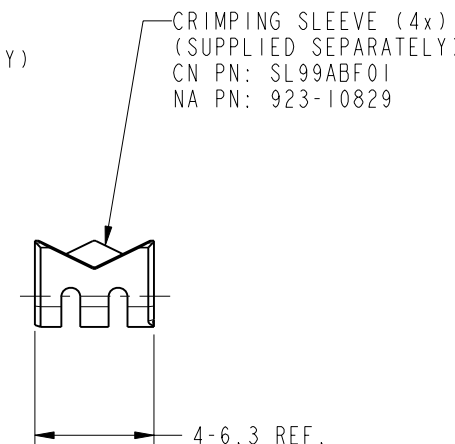
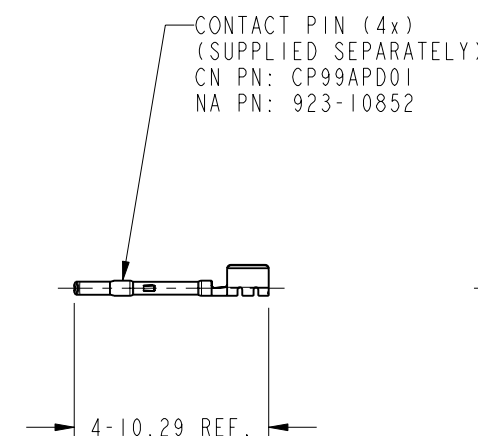
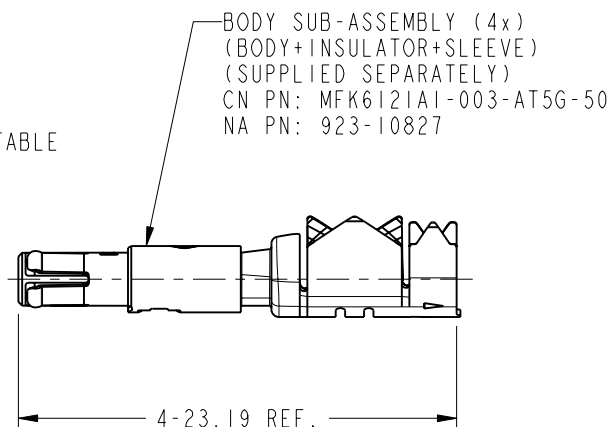
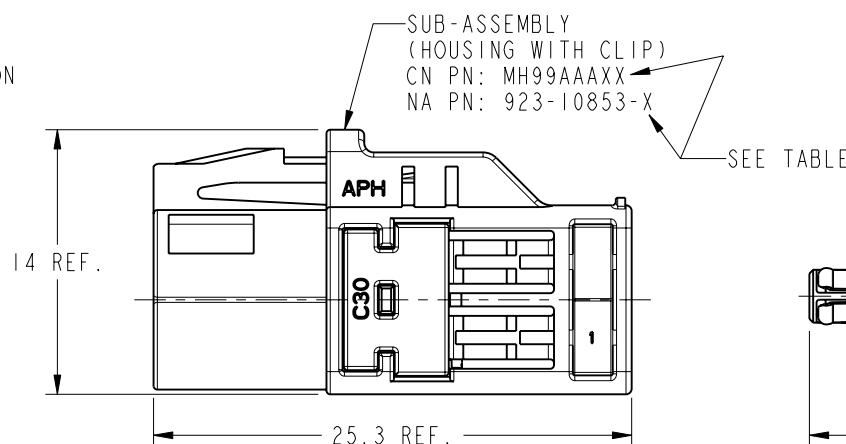
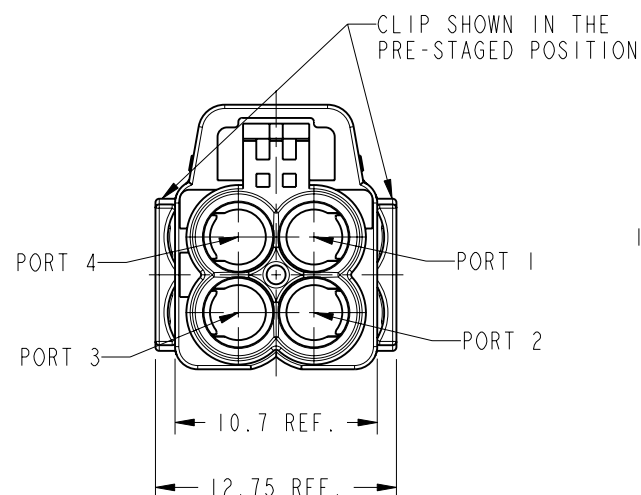
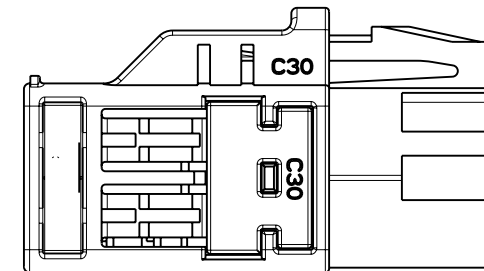
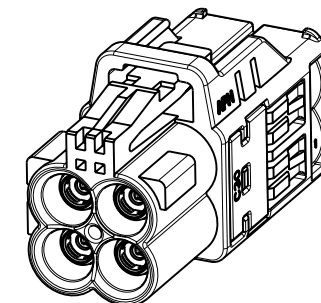
NOTES:

- MATERIAL AND FINISH:**
 BODY - COPPER NICKEL ALLOY, TIN PLATING
 INSULATOR - HIGH TEMP. ENGINEERING PLASTIC, SIGNAL BLUE
 SLEEVE(OH BODY) - BRASS, NICKEL PLATING
 CLIP - PBT, YELLOW
 HOUSING - PBT, SEE TABLE BELOW FOR KEY CODES & COLORS (HOUSING ASSEMBLY: CN: MH99AAA01 NA: 923-10853-X)
 CONTACT PINS ARE SUPPLIED SEPARATELY AS P/N: CN: CP99APD01 NA: 923-10852 (QUANTITY: 5,000 PCS./REEL)
 CRIMPING SLEEVES ARE SUPPLIED SEPARATELY AS P/N: CN: SL99ABF01 NA: 923-10829 (QUANTITY: 2,500 PCS./REEL)
 BODY SUB-ASSEMBLY ARE SUPPLIED SEPARATELY AS P/N: CN: MFK6121A1-003-AT5G-50 NA:923-10827 (QUANTITY: 5,000 PCS/REEL)
- ELECTRICAL:**
 A. IMPEDANCE: 50 OHM, NOMINAL
 B. FREQUENCY RANGE: DC-15 GHz
 C. VSWR(RETURN LOSS):
 1.12 (-25dB) MAX. @ DC TO 3 GHz
 1.22 (-20dB) MAX. @ 3 GHz TO 6 GHz
 1.43 (-15dB) MAX. @ 6 GHz TO 12 GHz
 1.67 (-12dB) MAX. @ 12 GHz TO 15 GHz
 D. DIELECTRIC WITHSTANDING VOLTAGE: 800 VRMS, MIN.
- MECHANICAL:**
 A. DURABILITY: 25 CYCLES MIN.
 B. TEMPERATURE RANGE: -40° C TO +105° C
- SEE 349-50951 FOR CABLE ASSEMBLY INSTRUCTIONS.

REVISIONS				
REV	DESCRIPTION	DATE	ECN	APPR
A	RELEASE TO MFG.	09-Dec-20	15447	KCE
B	SYNC WITH NA	20-Jan-22	15649	SH



SCALE 4.000
RECOMMENDED CABLE
STRIPPING DIMENSIONS



CODING	DRAWING NO.	PART NO.	HOUSING WITH CLIP CN PN / NA PN	COLOR OF HOUSING	RAL NO.
A	MFK0121AW-001-AT5G-50	FM4-NASJ-C30W0	MH99AAA01 / 923-10853-A	JET BLACK	9005
B	MFK0121BW-001-AT5G-50	FM4-NBSJ-C30W0	MH99AAA02 / 923-10853-B	CREAM	9001
C	MFK0121CW-001-AT5G-50	FM4-NCSJ-C30W0	MH99AAA03 / 923-10853-C	SIGNAL BLUE	5005
D	MFK0121DW-001-AT5G-50	FM4-NDSJ-C30W0	MH99AAA04 / 923-10853-D	CLARET VIOLET	4004
E	MFK0121EW-001-AT5G-50	FM4-NESJ-C30W0	MH99AAA05 / 923-10853-E	LEAF GREEN	6002
F	MFK0121FW-001-AT5G-50	FM4-NFSJ-C30W0	MH99AAA06 / 923-10853-F	NUT BROWN	8011
Z	MFK0121ZW-001-AT5G-50	FM4-NZSJ-C30W0	MH99AAA07 / 923-10853-Z	WATER BLUE	5021

CONFIGURATION CONTROL:
NO CHANGES PERMITTED TO DRAWING WITHOUT
PPAP QUALIFIED CUSTOMER APPROVAL

CUSTOMER OUTLINE DRAWING
ALL OTHER SHEETS ARE FOR INTERNAL USE ONLY

NOTICE: These drawings, specifications, or other data (1) are, and remain the property of Amphenol corp. (2) must be returned upon request; and (3) are confidential and not to be disclosed to any person other than those to whom they are given by Amphenol Corp. The furnishing of these drawings, specifications, or other data by Amphenol Corp., or to any other person to anyone for any purpose is not to be regarded by implication or otherwise in any manner licensing, granting rights to permitting such holder or any other person to manufacture, use or sell any product, process or design, patented or otherwise, that may in any way be related to or disclosed by said drawings, specifications, or other data.		UNLESS OTHERWISE SPECIFIED DIMENSIONS ARE METRIC (INCHES) AND TOLERANCES ARE: <0.5mm = ±0.05mm [-0.020 = ±0.002] >0.5 - 6mm = ±0.1mm [-0.020 - 0.236 = ±0.004] >6.00 - 30mm = ±0.2mm [-0.236 - 1.181 = ±0.008] >30.00 - 120mm = ±0.3mm [-1.181 - 4.725 = ±0.012]		MATERIAL TANGOR.DENG		TITLE AutoMate, Type A MINI FAKRA CRIMP JACK QUAD, FOR TFC 302LL		DRAWING NO. MFK0121XX-001-AT5G-50 ITEM NO. MK0121AAX36D T5F PART NO. FM4-NXSJ-C30W 0		REV B
THIRD ANGLE PROJ.		REFERENCE EAR# 7949		ENGR.1 TANGOR.DENG ENGR.2 DATE 09-Apr-21		SHEET NO. 2 OF 2 SCALE: 2.5:1.0		B		