

**SURFACE MOUNT SCHOTTKY
BARRIER RECTIFIER**
VOLTAGE RANGE 20 to 200 Volts CURRENT 5.0 Ampere

FEATURES

- * Ideal for surface mounted applications
- * Low leakage current
- * P/N suffix V means AEC-Q101 qualified, e.g:FM520BV
- * P/N suffix V means Halogen-free

MECHANICAL DATA

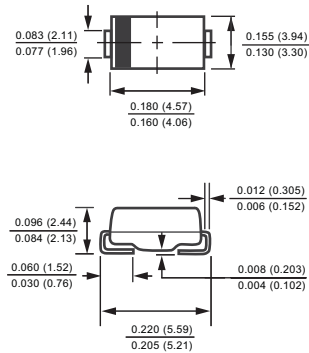
- * Epoxy: Device has UL flammability classification 94V-0
- * Mounting position: Any
- * Weight: 0.24 gram

MAXIMUM RATINGS AND ELECTRICAL CHARACTERISTICS

Ratings at 25 °C ambient temperature unless otherwise specified.
Resistive or inductive load.



DO-214AA



Dimensions in inches and (millimeters)

MAXIMUM RATINGS (@ TA=25 °C unless otherwise noted)

RATINGS	SYMBOL	FM520B	FM530B	FM540B	FM550B	FM560B	FM580B	FM5100B	FM5150B	FM5200B	UNITS
Maximum Recurrent Peak Reverse Voltage	V_{RRM}	20	30	40	50	60	80	100	150	200	Volts
Maximum RMS Voltage	V_{RMS}	14	21	28	35	42	56	70	105	140	Volts
Maximum DC Blocking Voltage	V_{DC}	20	30	40	50	60	80	100	150	200	Volts
Maximum Average Forward Rectified Current at Ambient Temperature	I_O	5.0									Amps
Peak Forward Surge Current 8.3 ms single half sine-wave superimposed on rated load (JEDEC method)	I_{FSM}	200									Amps
Typical Current Square Time	I^2T	166									A ² S
Typical Thermal Resistance (Note 1)	$R_{\theta JA}$	55									°C/W
	$R_{\theta JL}$	17									
Typical Junction Capacitance (Note 2)	C_J	200									pF
Operating Temperature Range	T_J	-55 to + 150									°C
Storage Temperature Range	T_{STG}	-55 to + 150									°C

ELECTRICAL CHARACTERISTICS(@TA=25 °C unless otherwise noted)

CHARACTERISTICS	SYMBOL	FM520B	FM530B	FM540B	FM550B	FM560B	FM580B	FM5100B	FM5150B	FM5200B	UNITS
Maximum Instantaneous Forward Voltage at 5.0A DC	V_F	.52			.65			.85			Volts
Maximum Average Reverse Current at Rated DC Blocking Voltage	@ $T_A = 25^\circ C$	60									μA
	@ $T_A = 150^\circ C$	4.0									mA

- NOTES : 1. Thermal Resistance : Mounted on PCB.
2. Measured at 1 MHz and applied reverse voltage of 4.0 volts.
3. "ROHS compliant".

RATING AND CHARACTERISTICS CURVES (FM520B THRU FM5200B)

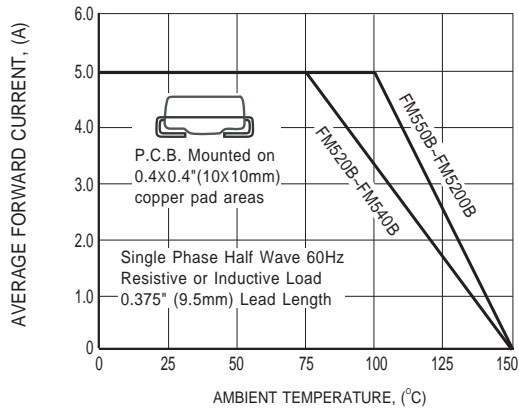


FIG.1 TYPICAL FORWARD CURRENT DERATING CURVE

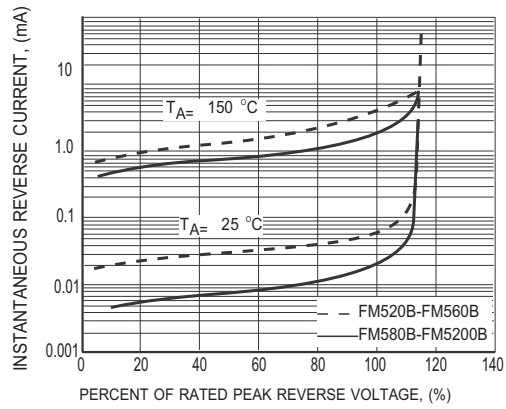


FIG.2 MAXIMUM REVERSE CHARACTERISTICS

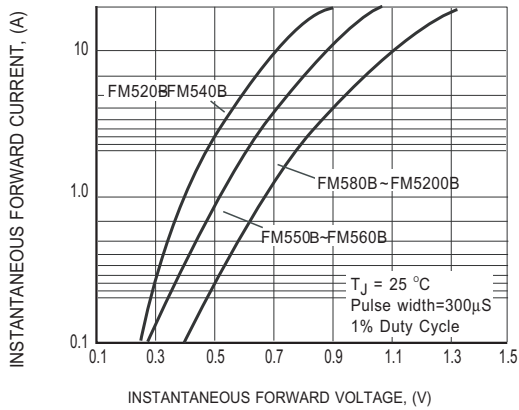


FIG.3 MAXIMUM INSTANTANEOUS FORWARD CHARACTERISTICS

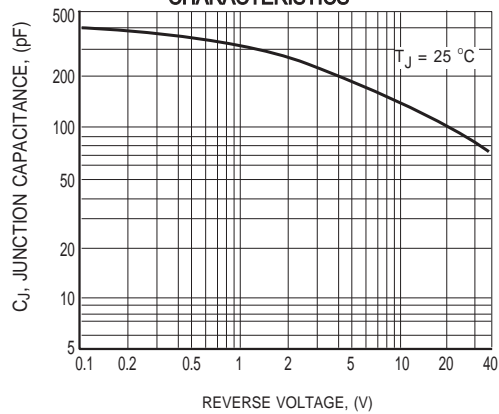


FIG.4 TYPICAL JUNCTION CAPACITANCE

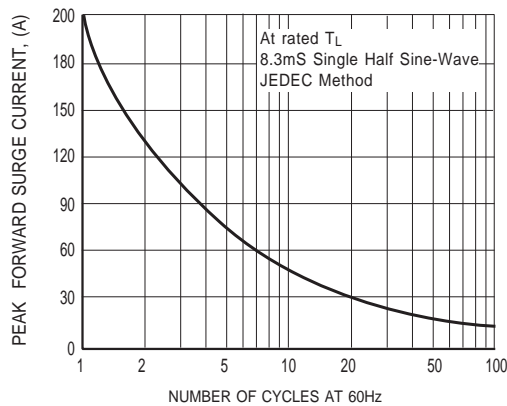
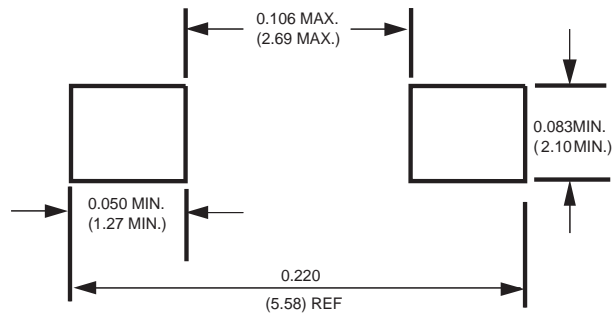


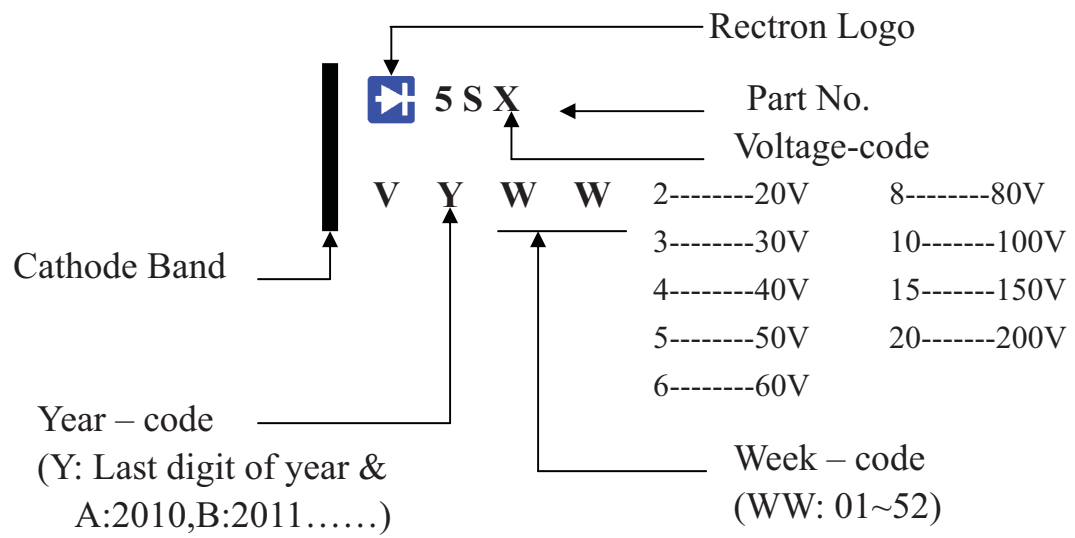
FIG.5 MAXIMUM NON-REPETITIVE FORWARD SURGE CURRENT

Mounting Pad Layout



Dimensions in inches and (millimeters)

Marking Description



PACKAGING OF DIODE AND BRIDGE RECTIFIERS

REEL PACK

PACKAGE	PACKING CODE	EA PER REEL	EA PER INNER BOX	COMPONENT SPACE (mm)	TAPE SPACE (mm)	REEL DIA (mm)	CARTON SIZE (mm)	EA PER CARTON	GROSS WEIGHT(Kg)
SMB	-W/-T	3,000	6,000	---	---	330	360*355*360	48,000	13.90