

Proximity Magnetic Sensors Cylindrical Housing FMM Series

CARLO GAVAZZI



- Cylindrical stainless steel housing
- M8 diameter
- NC or CO output functions
- Front side switching

Product Description

The cylindrical proximity magnetic sensors of the FMM series are characterized by stainless steel body and small dimensions.

They can be mounted directly on ferromagnetic supports as well; in this situation a reduction in the operating distance may occur due to a loss of magnetic field.

Ordering Key

FMM A 3

Type _____
 Output function _____
 Reed contact type _____

Type Selection

Housing diameter	Connection	Output function	Reference
M8	PVC cable L= 2m	NO	FMM A 3
M8	PVC cable L= 2m	NO	FMM A 6
M8	PVC cable L= 2m	CO	FMM S 1

Diameters are specified in millimeters (mm)

Output Specifications

Output FMMA3, FMMA6 FMMS1	NO Change-over
Contact ratings Max Switching Voltage FMMA3 FMMA6 FMMS1	500 VAC 100 VAC 100 VAC
Max Switching Current FMMA3 FMMA6 FMMS1	0.5 A 0.5 A 0.25 A
Max Switching Power FMMA3 FMMA6 FMMS1	10 VA 10 VA 5 VA

General Specifications

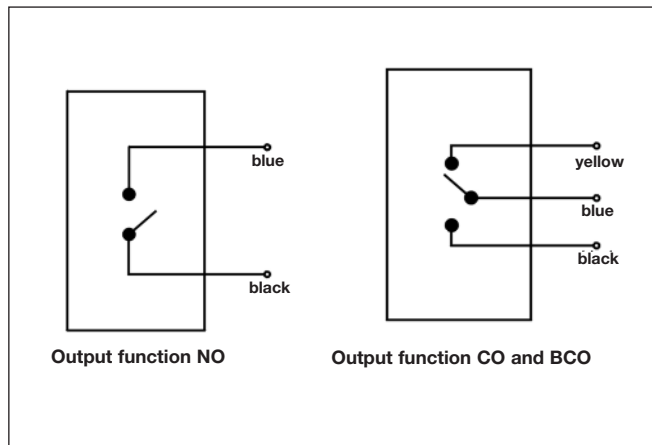
Operating distance FMM Series	See Operating Distance table
Suitable magnetic unit FMM Series	See Operating Distance table
Ambient temperature Operating	-25 to +70 °C
Environment Degree of protection	IP 67
Housing Diameter FMM Series Material FMMA3, FMMS1 FMMA6	M8 x 1 mm Stainless steel Nickel plated brass
CE-marking	Yes

Operating Distance

Magnetic Units	CL10	CL11	CL18	CL20S1	CL20S3	CL23	CL31
FMMS1	8	-	8	17	16	16	23
FMMA3	10	-	10	20	19	18	27
FMMA6	-	-	-	-	-	13	-

Distances are specified in millimeters (mm)
 xx: operating distance (for all Output functions).

Wiring Diagrams



Dimensions

