

BILLIE-A

Asymmetric beam for billboards. Assembly with holder.

SPECIFICATION:

Dimensions	Ø 21.5 mm
Height	16.1 mm
Fastening	pin
ROHS compliant	yes ⓘ

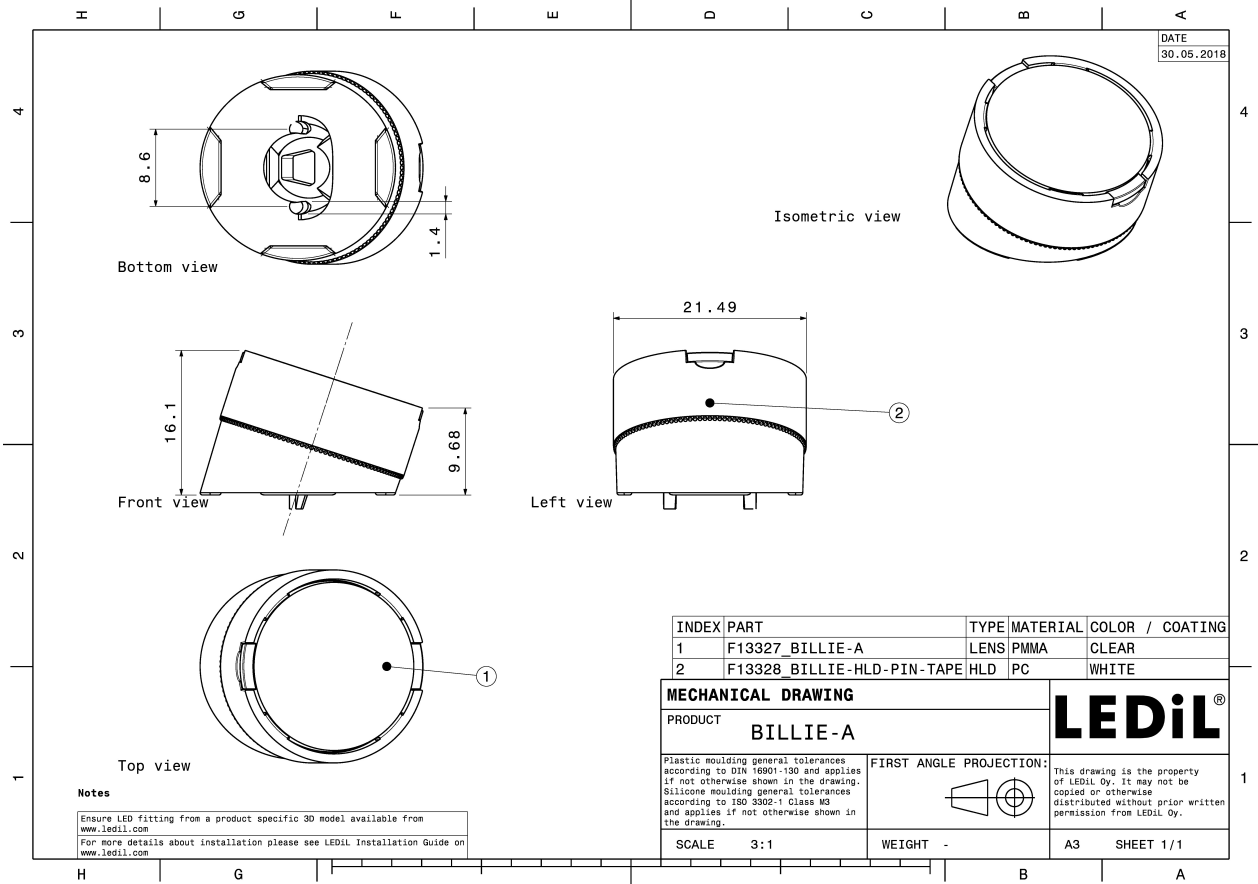
MATERIALS:

Component	Type	Material	Colour	Finish
BILLIE-A	Single lens	PMMA	clear	
BILLIE-HLD-PIN-TAPE	Holder	PC	white	

ORDERING INFORMATION:

Component	Type	Qty in box	MOQ	MPQ	Box weight (kg)
FN13888_BILLIE-A	Single lens	1344	96	96	0.0
» Box size:					





See also our general installation guide: www.ledil.com/installation_guide

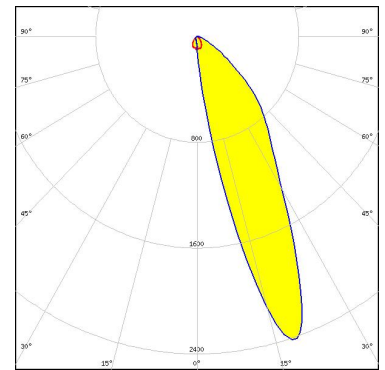
OPTICAL RESULTS (MEASURED):



LED XB-D
FWHM / FWTM Asymmetric
Efficiency 85 %
Peak intensity 2.1 cd/m
LEDs/each optic 1
Light colour White
Required components:



LED XP-E
FWHM / FWTM Asymmetric
Efficiency 89 %
Peak intensity 2.4 cd/m
LEDs/each optic 1
Light colour White
Required components:



LED XP-G
FWHM / FWTM Asymmetric
Efficiency 88 %
Peak intensity 2.2 cd/m
LEDs/each optic 1
Light colour White
Required components:



LED LUXEON A
FWHM / FWTM Asymmetric
Efficiency 88 %
Peak intensity 2.1 cd/m
LEDs/each optic 1
Light colour White
Required components:

OPTICAL RESULTS (MEASURED):

LUMILEDS

LED LUXEON R
FWHM / FWTM Asymmetric
Efficiency 88 %
Peak intensity 2 cd/lm
LEDs/each optic 1
Light colour White
Required components:

LUMILEDS

LED LUXEON Rebel
FWHM / FWTM Asymmetric
Efficiency 87 %
Peak intensity 2.2 cd/lm
LEDs/each optic 1
Light colour White
Required components:

LUMILEDS

LED LUXEON Rebel ES
FWHM / FWTM Asymmetric
Efficiency 88 %
Peak intensity 2 cd/lm
LEDs/each optic 1
Light colour White
Required components:

NICHIA

LED NCSxx19A
FWHM / FWTM Asymmetric
Efficiency 86 %
Peak intensity 2 cd/lm
LEDs/each optic 1
Light colour White
Required components:

OPTICAL RESULTS (MEASURED):



LED NF2x757A
FWHM / FWTM Asymmetric
Efficiency 88 %
Peak intensity 1.9 cd/lm
LEDs/each optic 1
Light colour White
Required components:

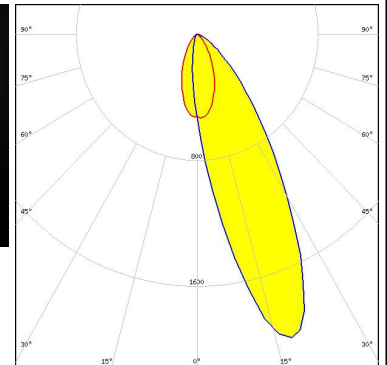
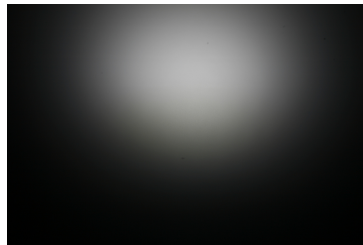


LED NVSxx19A
FWHM / FWTM Asymmetric
Efficiency 85 %
Peak intensity 1.9 cd/lm
LEDs/each optic 1
Light colour White
Required components:



Ospto Semiconductors

LED Duris S5 (2 chip)
FWHM / FWTM Asymmetric
Efficiency 87 %
Peak intensity 2 cd/lm
LEDs/each optic 1
Light colour White
Required components:



Ospto Semiconductors

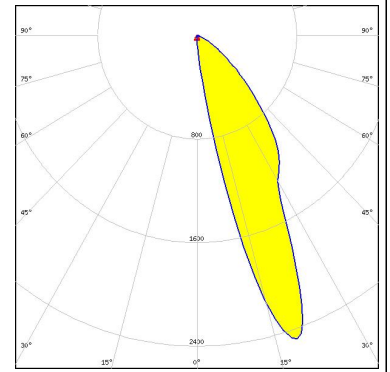
LED OSLOM SSL 150
FWHM / FWTM Asymmetric
Efficiency 88 %
Peak intensity 2.7 cd/lm
LEDs/each optic 1
Light colour White
Required components:

OPTICAL RESULTS (MEASURED):

OSRAM

Opto Semiconductors

LED	OSLON SSL 80
FWHM / FWTM	Asymmetric
Efficiency	88 %
Peak intensity	2.1 cd/lm
LEDs/each optic	1
Light colour	White
Required components:	



OPTICAL RESULTS (SIMULATED):



LED	NF2x757G
FWHM / FWTM	Asymmetric
Efficiency	94 %
Peak intensity	2.1 cd/lm
LEDs/each optic	1
Light colour	White
Required components:	

