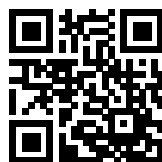


Compact filtered power entry module



- Complies with IEC/EN 60601-1
- Rated currents up to 10 A
- Single or dual-fuse holder
- Fuses Ø5 x 20 mm
- 2-pole rocker switch
- General purpose application
- Optional earth line choke (E type)
- Optional medical versions (B type)

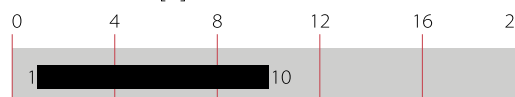


Performance indicators

Attenuation performance



Rated current [A]



Approvals & Compliances



(CQC except HI-types)

Features and Benefits

- High conducted attenuation performance, based on chokes with high saturation resistance and excellent thermal behavior
- Rear/front or snap-in mounting
- Single or dual-fuse holder
- 2-pole rocker switch
- Custom-specific versions are available on request

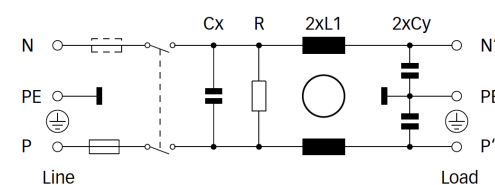
Typical Applications

- Portable electrical and electronic equipment
- Consumer goods
- EDP and office equipment
- Single-phase power supplies, switch-mode power supplies
- Test and measurement equipment
- Medical equipment

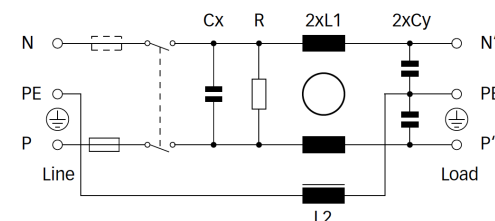
Technical Specifications

Maximum continuous operating voltage	250 VOLT, 50/60 Hz
Operating frequency	DC to 400 Hz
Rated currents	1 to 10 A @ 40°C max
High potential test voltage	P → PE 2000 VAC for 2 sec (standard types) P → PE 2500 VAC for 2 sec (B types) P → N 760 VAC for 2 sec
Protection category	IP 40 according to IEC 60529
Temperature range (operation and storage)	-25°C to +85°C (25/85/21)
Design corresponding to	UL 1283, CSA 22.2 No. 8 1986, IEC/EN 60939
Flammability corresponding to	UL 94 V-2 or better
MTBF @ 40°C/230 V (Mil-HB-217F)	1,500,000 hours
Fuse holder	1 or 2 fuses (Ø5 x 20 mm) (certified to IEC 60127-6), power acceptance 1.6W @ Ta 23°C per pole for 2 fuses. 2.5W, if only 1 pole is used.
Marking) Marking max. 250 V ~ (text is print. below fuse symbol)
Rocker switch description	
Function	2-pole, dark not illuminated Marking I - 0
Electrical specifications	Inrush current 82 A 6,000 on-off operations according to UL 1054, TV5 10,000 on-off operations according to ENEC
Switch ratings	
USA (UL) and Canada (C-UL)	10 A, 125 VAC; 10 A, 250 VAC; 1/3 HP
Europe (ENEC)	10 A (4 A), 250 VAC*
Mechanical life	50,000 cycles

Typical electrical schematic



E types



* Value in () relates to the inductive current charge: $\cos\phi = 0.65$

Filter Selection Table

Filter	Rated current @ 40°C (25°C) [A]	Leakage current* @ 230 VAC/50 Hz [µA]	Inductance**		Capacitance**		Resistance** R [kΩ]	Output connections	Fuses*** [Qty]	Weight [g]	
			L1 [mH]	L2 [mH]	Cx [nF]	Cy [nF]					
FN 281-1-06	1 (1.2)	373	7.5			220	2.2	1000	-06	1	90
FN 281-2-06	2 (2.4)	373	2			220	2.2	1000	-06	1	90
FN 281-4-06	4 (4.8)	373	1			220	2.2	1000	-06	1	90
FN 281-6-06	6 (7.2)	373	0.45			220	2.2	1000	-06	1	90
FN 281-10-06	10 (11.6)	373	0.34			220	2.2	1000	-06	1	90
FN 282-1-06	1 (1.2)	373	7.5			220	2.2	1000	-06	2	90
FN 282-2-06	2 (2.4)	373	2			220	2.2	1000	-06	2	90
FN 282-4-06	4 (4.8)	373	1			220	2.2	1000	-06	2	90
FN 282-6-06	6 (7.2)	373	0.45			220	2.2	1000	-06	2	90
FN 282-10-06	10 (11.6)	373	0.34			220	2.2	1000	-06	2	90
FN 283-1-06	1 (1.2)	373	7.5			220	2.2	1000	-06	1	90
FN 283-2-06	2 (2.4)	373	2			220	2.2	1000	-06	1	90
FN 283-4-06	4 (4.8)	373	1			220	2.2	1000	-06	1	90
FN 283-6-06	6 (7.2)	373	0.45			220	2.2	1000	-06	1	90
FN 283-10-06	10 (11.6)	373	0.34			220	2.2	1000	-06	1	90
FN 284-1-06	1 (1.2)	373	7.5			220	2.2	1000	-06	2	90
FN 284-2-06	2 (2.4)	373	2			220	2.2	1000	-06	2	90
FN 284-4-06	4 (4.8)	373	1			220	2.2	1000	-06	2	90
FN 284-6-06	6 (7.2)	373	0.45			220	2.2	1000	-06	2	90
FN 284-10-06	10 (11.6)	373	0.34			220	2.2	1000	-06	2	90
FN 285-1-06	1 (1.2)	373	7.5			220	2.2	1000	-06	1	90
FN 285-2-06	2 (2.4)	373	2			220	2.2	1000	-06	1	90
FN 285-4-06	4 (4.8)	373	1			220	2.2	1000	-06	1	90
FN 285-6-06	6 (7.2)	373	0.45			220	2.2	1000	-06	1	90
FN 285-10-06	10 (11.6)	373	0.34			220	2.2	1000	-06	1	90
FN 286-1-06	1 (1.2)	373	7.5			220	2.2	1000	-06	2	90
FN 286-2-06	2 (2.4)	373	2			220	2.2	1000	-06	2	90
FN 286-4-06	4 (4.8)	373	1			220	2.2	1000	-06	2	90
FN 286-6-06	6 (7.2)	373	0.45			220	2.2	1000	-06	2	90
FN 286-10-06	10 (11.6)	373	0.34			220	2.2	1000	-06	2	90
FN 283 E-1-06	1 (1.2)	373	7.5	0.4		220	2.2	1000	-06	1	100
FN 283 E-2-06	2 (2.4)	373	2	0.4		220	2.2	1000	-06	1	100
FN 283 E-4-06	4 (4.8)	373	1	0.4		220	2.2	1000	-06	1	100
FN 283 E-6-06	6 (7.2)	373	0.45	0.4		220	2.2	1000	-06	1	100
FN 284 E-1-06	1 (1.2)	373	7.5	0.4		220	2.2	1000	-06	2	100
FN 284 E-2-06	2 (2.4)	373	2	0.4		220	2.2	1000	-06	2	100
FN 284 E-4-06	4 (4.8)	373	1	0.4		220	2.2	1000	-06	2	100
FN 284 E-6-06	6 (7.2)	373	0.45	0.4		220	2.2	1000	-06	2	100
FN 282 B-1-06	1 (1.2)	2	7.5			220		1000	-06	2	90
FN 282 B-2-06	2 (2.4)	2	2			220		1000	-06	2	90
FN 282 B-4-06	4 (4.8)	2	1			220		1000	-06	2	90
FN 282 B-6-06	6 (7.2)	2	0.45			220		1000	-06	2	90
FN 282 B-10-06	10 (11.6)	2	0.34			220		1000	-06	2	90

* Maximum leakage under normal operating conditions. Note: if the neutral line is interrupted, worst case leakage could reach twice this level.

** Tolerances apply: Inductance: -30/+50%, Capacitance: ±20%, Resistance: ±10%

*** Filters are delivered without fuse.

Filter	Rated current @ 40°C (25°C) [A]	Leakage current* @ 230 VAC/50 Hz [µA]	Inductance**		Capacitance**		Resistance** R [kΩ]	Output connections	Fuses*** [Qty]	Weight [g]
			L1 [mH]	L2 [mH]	Cx [nF]	Cy [nF]				
FN 284 B-1-06	1 (1.2)	2	7.5		220		1000	-06	2	90
FN 284 B-2-06	2 (2.4)	2	2		220		1000	-06	2	90
FN 284 B-4-06	4 (4.8)	2	1		220		1000	-06	2	90
FN 284 B-6-06	6 (7.2)	2	0.45		220		1000	-06	2	90
FN 284 B-10-06	10 (11.6)	2	0.34		220		1000	-06	2	90
FN 286 B-1-06	1 (1.2)	2	7.5		220		1000	-06	2	90
FN 286 B-2-06	2 (2.4)	2	2		220		1000	-06	2	90
FN 286 B-4-06	4 (4.8)	2	1		220		1000	-06	2	90
FN 286 B-6-06	6 (7.2)	2	0.45		220		1000	-06	2	90
FN 286 B-10-06	10 (11.6)	2	0.34		220		1000	-06	2	90







* Maximum leakage under normal operating conditions. Note: if the neutral line is interrupted, worst case leakage could reach twice this level.

** Tolerances apply: Inductance: -30/+50%, Capacitance: ±20%, Resistance: ±10%

*** Filters are delivered without fuse.

Product selector

FN 28xx-yy-zz

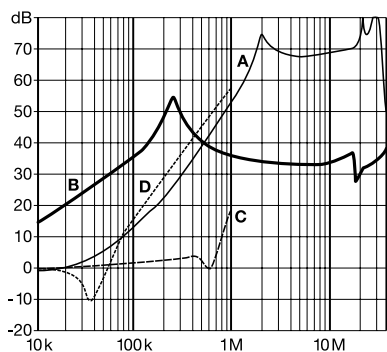
- 06: Faston 6.3 x 0.8mm (spade/soldering)
- 1 to 10: Rated current
- Blank: Standard version
- E: Optional earth line choke
- B: Medical version (with bleed resistor and without Y2-capacitor)
- 1:  Flange mounting version top/bottom, single-fuse
- 2:  Flange mounting version top/bottom, dual-fuse
- 3:  Flange mounting version left/right, single-fuse
- 4:  Flange mounting version left/right, dual-fuse
- 5:  Snap-in version, single-fuse
- 6:  Snap-in version, dual-fuse

For example: FN 281-6-06, FN 283 B-04-06, FN 283 E-1-06

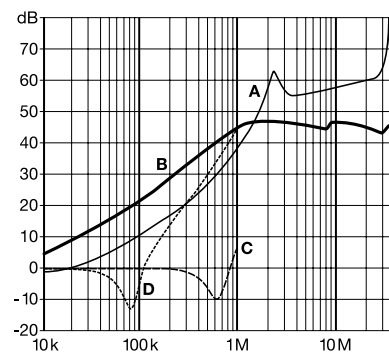
Typical Filter Attenuation

Per CISPR 17; A=50 Ω/50 Ω sym; B=50 Ω/50 Ω asym; C=0.1 Ω/100 Ω sym; D=100 Ω/0.1 Ω sym

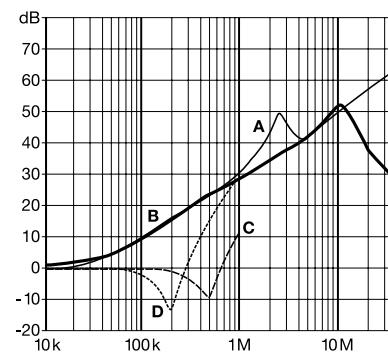
1 A types



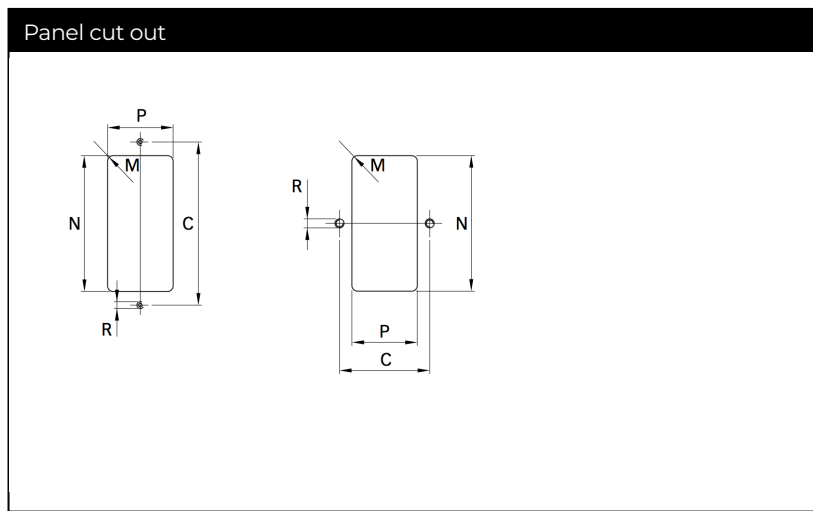
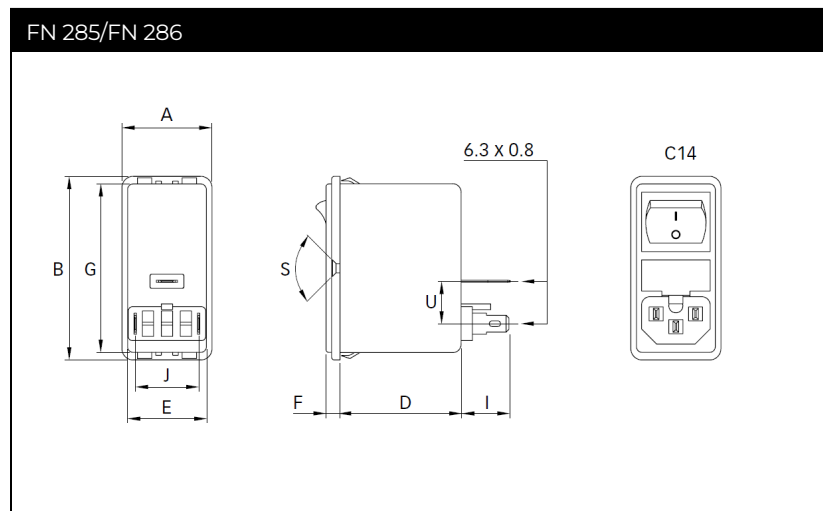
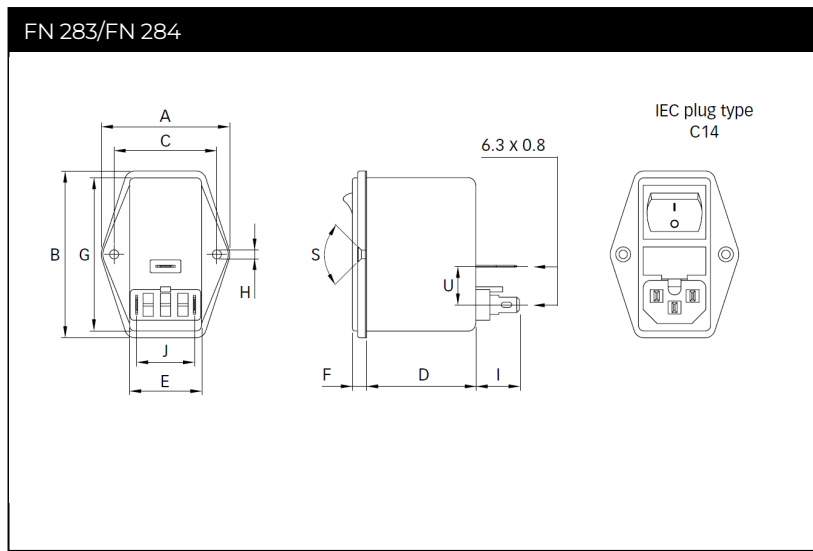
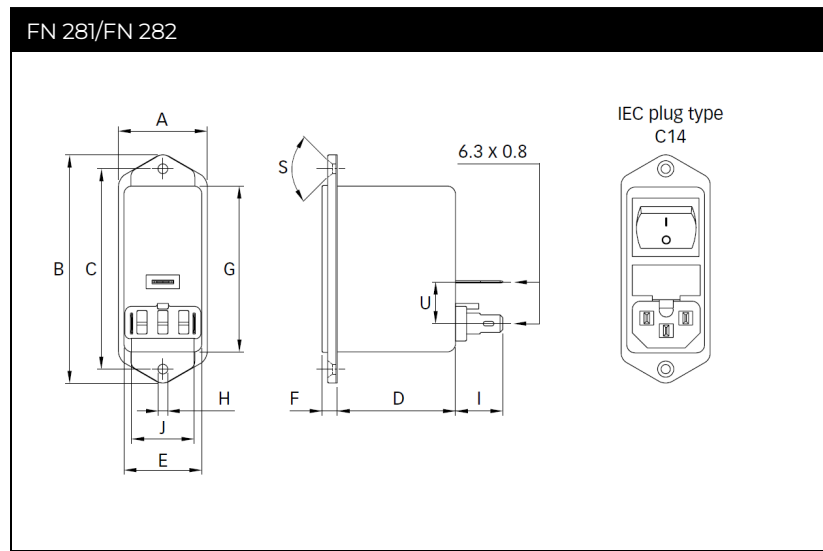
2 to 6 A types



10 A types



Mechanical Data



Dimensions

	FN 281	FN 282	FN 283	FN 284	FN 285	FN 286	Tolerances
A	32	32	50	50	32	32	±0.3
B	82	82	65	65	65	65	±0.3
C	72	72	40	40			±0.1
D	43.1	43.1	43.1	43.1	43.6	43.6	±0.3
E	28.5	28.5	28.5	28.5	28.5	28.5	±0.25
F	5.5	5.5	5.5	5.5	5	5	±0.3
G	59.95 max.	59.95 max.	59.95 max.	59.95 max.	59.95 max.	59.95 max.	
H	Ø3.5	Ø3.5	Ø3.3	Ø3.3			
I	13.4	16.2	13.4	16.2	13.9	16.7	±0.3
J	22.5	22.5	22.5	22.5	22.5	22.5	
M	R ≤ 2.5	R ≤ 2.5	R ≤ 2.5	R ≤ 2.5	R ≤ 2.5	R ≤ 2.5	
N	60	60	60	60	61.5+0.2/-0*	61.5+0.2/-0*	+0.5/-0
P	29	29	29	29	29	29	+0.5/-0
R	M3	M3	M3	M3			
S	90°	90°	90°	90°			

* For a panel thickness between 0.8 and 3 mm

All dimensions in mm; 1 inch = 25.4 mm
Tolerances according: ISO 2768-m/EN 22768-m

Please visit www.schaffner.com to find more details on filter connectors.