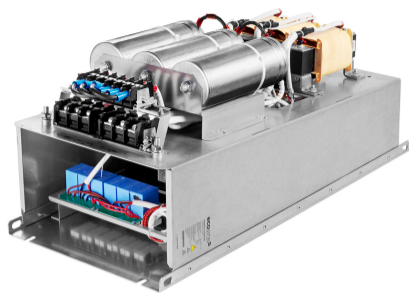


Ecosine evo, 480 VAC 60 Hz Full Performance Passive Harmonic Filters



- The industry standard for 6-pulse rectifier and motor drives
- Filters for diode rectifier without DC-link choke and thyristor rectifier
- Best-in-class partial load performance
- Most compact design
- Plug and play, ready to use



Approvals & Compliances



(depending on filter configuration)

Features and Benefits

Schaffner ecosine harmonic filters represent an economical solution to the challenge of load-applied harmonics mitigation in three-phase power systems. With a plug-and-play approach and more compact dimensions than comparable products, they can be quickly installed and easily commissioned. They increase the reliability and service life of electric installations, help utilize electric system capacity better, and are the key to meet Power Quality standards such as IEEE 519. Ecosine filters reshape your distorted current back to the desired sinusoidal waveform. Schaffner ecosine filters can be applied to virtually any kind of power electronics with front-end six-pulse rectifiers, 3-phase diode or thyristor bridges, where harmonic current distortion needs to be reduced to defined limits.

Typical Applications

- Equipment with front-end six-pulse rectifier
- Motor drives
- Factory automation equipment
- Water/wastewater treatment facilities
- Fan and pump applications
- HVAC installations
- Mission-critical processes
- DC fast chargers

Technical Specifications

| | |
|--|--|
| Nominal operating voltage | 3 x 440 VAC to 480 VAC ±10% |
| Operating frequency | 60 Hz ±1 Hz |
| Nominal motor drive input power rating | 1.5 to 300 HP |
| Total harmonic current distortion THDi* | <5% at rated power |
| Efficiency | >98% for rated voltage and power |
| Overload capability | 1.6x rated current for 1 minute, once per hour |
| SCCR** | 100 kA |
| High potential test voltage | P -> E 2160 VAC (1 s) |
| Overvoltage category | OV III (IEC 60664-1 / UL 61800-5-1) |
| Earthing System | TN, TT, IT |
| Protection category | IP 00, IP 20 |
| Cooling | Internal fan cooling or external cooling*** |
| Ambient temperature range | -25°C to +45°C fully operational +45°C to +70°C derated operation**** -25°C to +85°C transport and storage |
| Design corresponding to | Filter: UL 61800-5-1, EN 61800-5-1 Chokes: EN 61558-2-20 or EN 60076-6 |
| Flammability corresponding to | UL 94 V-2 |
| MTBF @ 45°C/480 V (Mil-HB-217F) | >200,000 hours |

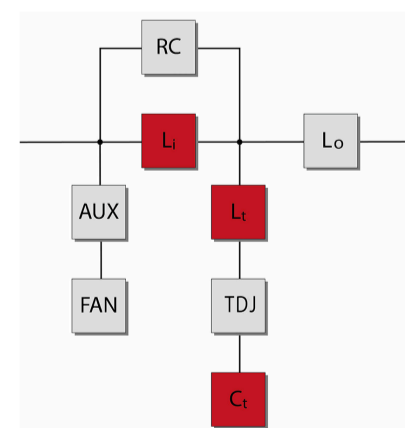
* System requirements: THDv <2%, line voltage unbalance <1%
Note: performance specifications in this brochure refer to six-pulse diode rectifiers. SCR rectifier front-ends will produce different results, dependent upon the firing angle of the thyristors.
THDi ~5% at rated power for filter <6 kW/HP

** External UL-rated fuses required. Please consult the user manual.

*** Please check the inlet air flow required for cooling table further in this document and the user manual.

**** Iderated = $Inominal \cdot \sqrt{\frac{(Tmax-Tamb)}{(Tmax-Tnominal)}} = Inom \cdot \sqrt{\frac{(70°C-Tamb)}{25°C}}$

Typical electrical schematic



Filter Selection Table @ 480 V / 60 Hz – IP 00 Enclosure

| Filter | Rated load power @ 480 V/60 Hz | | Motor drive input current [Arms]*** | Rated filter input current [Arms] | Weight | | Typical losses [W]**** | Terminal | Frame size |
|---------------------------|-----------------------------------|------|---|---|--------|-------|------------------------------|----------|---------------|
| | [kW] | [HP] | | | [kg] | [lbs] | | | |
| FN 3452-1-110-E0_***** | 1.1 | 1.5 | 2 | 1.37 | 6 | 13 | 50 | 110 | A |
| FN 3452-3-110-E0_***** | 2.2 | 3 | 4 | 2.76 | 8 | 18 | 67 | 110 | A |
| FN 3452-5-112-E0_***** | 3.7 | 5 | 7 | 4.57 | 10 | 22 | 116 | 112 | B |
| FN 3452-8-112-E0_***** | 5.6 | 7.5 | 11 | 6.91 | 13 | 29 | 132 | 112 | B |
| FN 3452-10-112-E0_***** | 7.5 | 10 | 14 | 9.29 | 16 | 35 | 160 | 112 | C |
| FN 3452-15-112-E0_***** | 11 | 15 | 21 | 13.8 | 18 | 40 | 237 | 112 | C |
| FN 3452-20-113-E0_**** | 15 | 20 | 27 | 18.5 | 27 | 60 | 294 | 113 | D |
| FN 3452-25-113-E0_**** | 19 | 25 | 34 | 23.1 | 31 | 68 | 351 | 113 | D |
| FN 3452-30-113-E0_**** | 22 | 30 | 44 | 27.8 | 36 | 79 | 354 | 113 | D |
| FN 3452-40-115-E0_**** | 30 | 40 | 52 | 37.2 | 46 | 101 | 459 | 115 | E |
| FN 3452-50-115-E0_**** | 37 | 50 | 66 | 46.2 | 51 | 112 | 571 | 115 | E |
| FN 3452-60-115-E0_**** | 45 | 60 | 83 | 55.6 | 59 | 130 | 589 | 115 | E |
| FN 3452-75-115-E0_**** | 56 | 75 | 103 | 69.3 | 60 | 132 | 821 | 115 | F |
| FN 3452-100-115-E0_**** | 75 | 100 | 128 | 92.5 | 82 | 181 | 1028 | 115 | F |
| FN 3452-125-116-E0_**** | 93 | 125 | 165 | 115 | 116 | 256 | 1067 | 116 | G |
| FN 3452-150-116-E0_**** | 112 | 150 | 208 | 139 | 137 | 302 | 1143 | 116 | G |
| FN 3452-200-118-E0_**** | 149 | 200 | 240 | 184 | 170 | 375 | 1538 | 118 | H |
| FN 3452-250-118-E0_****** | 186 | 250 | 320 | 231 | 187 | 412 | 1411 | 118 | H |
| FN 3452-300-118-E0_****** | 224 | 300 | 403 | 279 | 252 | 556 | 1775 | 118 | H |

* Filter rating which does not require forced cooling or fan module

** Filter rating which does not require RC damping module for rectifiers with EMI filter

*** Motor drive input current without harmonic filter

**** Typical losses @ 45°C, 480V, 60Hz and rated load power

Filter Power Terminals

| Terminal designation* | Screw thread | Flex wire AWG | Flex wire [mm ²] | Screw torque value | | Max width** cable lug [mm] | Frame size |
|-----------------------|--------------|---------------|---------------------------------|--------------------|----------|----------------------------------|------------|
| | | | | [Nm] | [lbs-in] | | |
| 110 | M3 | 14-22 | 0.4-2.5 | 0.5 | 4.4 | 7 | A |
| 112 | M4 | 10-22 | 0.4-6 | 1.2 | 10.6 | 10 | B, C |
| 113 | M6 | 6-18 | 0.75-16 | 3 | 26.6 | 15 | D |
| 115 | M8 | 1/0-8 | 10-50 | 8 | 70.8 | 15 | E, F |
| 116 | M8 | 3/0-8 | 10-95 | 8 | 70.8 | 17 | G |
| 118 | M10 | 3/0-500 kcmil | 95-240 | 10 | 88.5 | 35 | H |

* Recommended connector type: wire or cable lug for 110 to 113, only cable lug for 115 to 118

** To fulfill creepage/clearance acc. UL 61800-5-1 without additional protection (insulation). Creepage/clearance can vary depending on applicable standard and must be reviewed by customer. Creepage/clearance may be reduced when additional protection (insulation) is provided.

Filter Signal And Earth Terminals

| Terminal type | Screw thread | Screw torque value | | Frame size |
|---------------|--------------|--------------------|----------|------------|
| | | [Nm] | [lbs-in] | |
| Signal | M3* | 0.5 | 4.4 | All |
| Earth (PE) | M5 | 2.2 | 19.5 | A |
| Earth (PE) | M6 | 4 | 35.4 | B, C |
| Earth (PE) | M8 | 9 | 79.7 | D, E |
| Earth (PE) | M10 | 17 | 150.5 | F, G, H |

* Max width cable lug = 7 mm

Filter Selection Table @ 480 V / 60 Hz – IP 20 Enclosure

| Filter | Rated load power @ 480 V/60 Hz | | Motor drive input current [Arms]** | Rated filter input current [Arms] | Weight | | Typical losses [W]**** | Terminal | Frame size |
|------------------------------|-----------------------------------|------|--|---|--------|-------|------------------------------|----------|---------------|
| | [kW] | [HP] | | | [kg] | [lbs] | | | |
| FN 3452-1-110-E2_ _ _ _ * | 1.1 | 1.5 | 2 | 1.37 | 7 | 15 | 50 | 110 | A |
| FN 3452-3-110-E2_ _ _ _ * | 2.2 | 3 | 4 | 2.76 | 9 | 20 | 67 | 110 | A |
| FN 3452-5-112-E2_ _ _ _ * | 3.7 | 5 | 7 | 4.57 | 11 | 24 | 116 | 112 | B |
| FN 3452-8-112-E2_ _ _ _ * | 5.6 | 7.5 | 11 | 6.91 | 14 | 31 | 132 | 112 | B |
| FN 3452-10-112-E2_ _ _ _ * | 7.5 | 10 | 14 | 9.29 | 17 | 37 | 160 | 112 | C |
| FN 3452-15-112-E2_ _ _ _ * | 11 | 15 | 21 | 13.8 | 20 | 44 | 237 | 112 | C |
| FN 3452-20-113-E2_ _ _ _ | 15 | 20 | 27 | 18.5 | 31 | 68 | 294 | 113 | D |
| FN 3452-25-113-E2_ _ _ _ | 19 | 25 | 34 | 23.1 | 35 | 77 | 351 | 113 | D |
| FN 3452-30-113-E2_ _ _ _ | 22 | 30 | 44 | 27.8 | 40 | 88 | 354 | 113 | D |
| FN 3452-40-115-E2_ _ _ _ | 30 | 40 | 52 | 37.2 | 52 | 115 | 459 | 115 | E |
| FN 3452-50-115-E2_ _ _ _ | 37 | 50 | 66 | 46.2 | 57 | 126 | 571 | 115 | E |
| FN 3452-60-115-E2_ _ _ _ | 45 | 60 | 83 | 55.6 | 65 | 143 | 589 | 115 | E |
| FN 3452-75-115-E2_ _ _ _ | 56 | 75 | 103 | 69.3 | 67 | 148 | 821 | 115 | F |
| FN 3452-100-115-E2_ _ _ _ | 75 | 100 | 128 | 92.5 | 90 | 198 | 1028 | 115 | F |
| FN 3452-125-116-E2_ _ _ _ | 93 | 125 | 165 | 115 | 125 | 276 | 1067 | 116 | G |
| FN 3452-150-116-E2_ _ _ _ | 112 | 150 | 208 | 139 | 146 | 322 | 1143 | 116 | G |
| FN 3452-200-118-E2_ _ _ _ | 149 | 200 | 240 | 184 | 187 | 412 | 1538 | 118 | H |
| FN 3452-250-118-E2_ _ _ _ ** | 186 | 250 | 320 | 231 | 204 | 450 | 1411 | 118 | H |
| FN 3452-300-118-E2_ _ _ _ ** | 224 | 300 | 403 | 279 | 269 | 593 | 1775 | 118 | H |

* Filter rating which does not require forced cooling or fan module

** Filter rating which does not require RC damping module for rectifiers with EMI filter

*** Motor drive input current without harmonic filter

**** Typical losses @ 45°C, 480V, 60Hz and rated load power

Filter Power Terminals

| Terminal designation* | Screw thread | Flex wire AWG | Flex wire | | Screw torque value | | Max width** cable lug [mm] | Frame size |
|-----------------------|--------------|---------------|--------------------|------|--------------------|----|----------------------------------|------------|
| | | | [mm ²] | [Nm] | [lbs-in] | | | |
| 110 | M3 | 14-22 | 0.4-2.5 | 0.5 | 4.4 | 7 | A | |
| 112 | M4 | 10-22 | 0.4-6 | 1.2 | 10.6 | 10 | B, C | |
| 113 | M6 | 6-18 | 0.75-16 | 3 | 26.6 | 15 | D | |
| 115 | M8 | 1/0-8 | 10-50 | 8 | 70.8 | 15 | E, F | |
| 116 | M8 | 3/0-8 | 10-95 | 8 | 70.8 | 17 | G | |
| 118 | M10 | 3/0-500 kcmil | 95-240 | 10 | 88.5 | 35 | H | |

* Recommended connector type: wire or cable lug for 110 to 113, only cable lug for 115 to 118

** To fulfill creepage/clearance acc. UL 61800-5-1 without additional protection (insulation). Creepage/clearance can vary depending on applicable standard and must be reviewed by customer. Creepage/clearance may be reduced when additional protection (insulation) is provided.

Filter Signal And Earth Terminals

| Terminal type | Screw thread | Screw torque value | | Frame size |
|---------------|--------------|--------------------|----------|------------|
| | | [Nm] | [lbs-in] | |
| Signal | M3* | 0.5 | 4.4 | All |
| Earth (PE) | M5 | 2.2 | 19.5 | A |
| Earth (PE) | M6 | 4 | 35.4 | B, C |
| Earth (PE) | M8 | 9 | 79.7 | D, E |
| Earth (PE) | M10 | 17 | 150.5 | F, G, H |

* Max width cable lug = 7 mm

Product selector

FN 34nn-xxx-yyy-

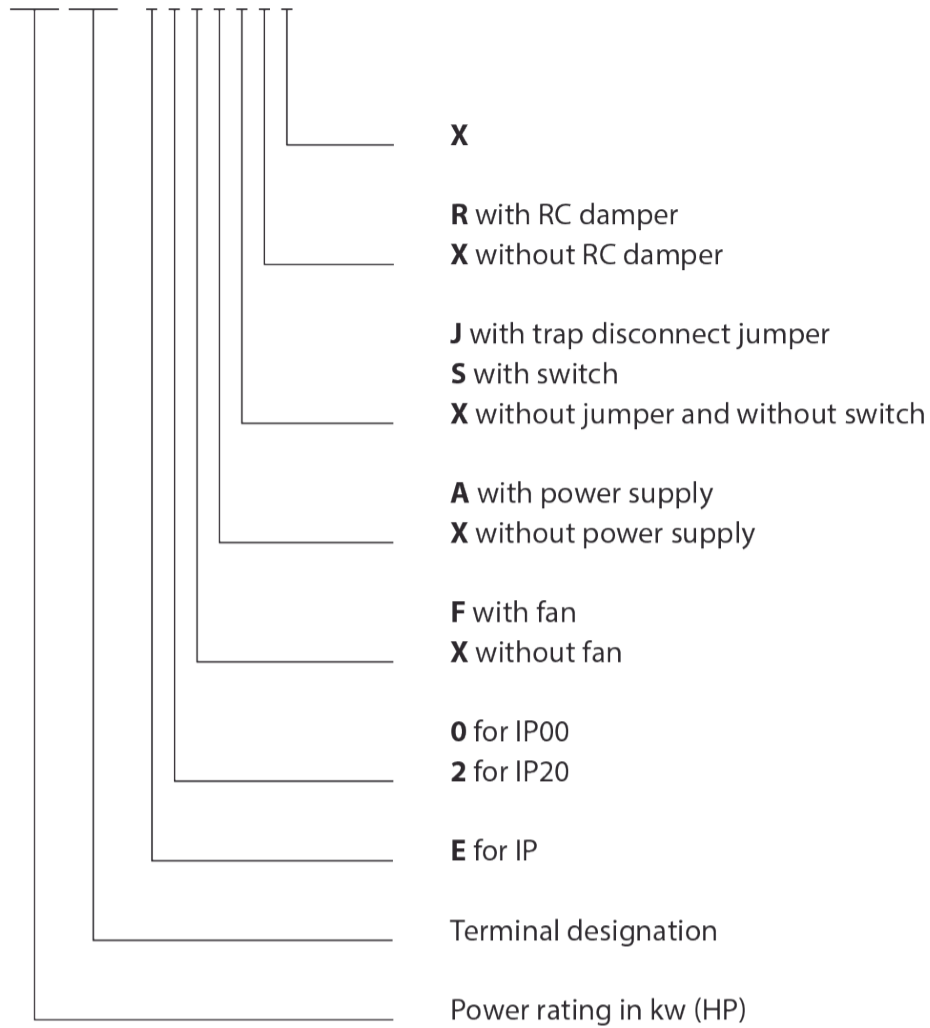
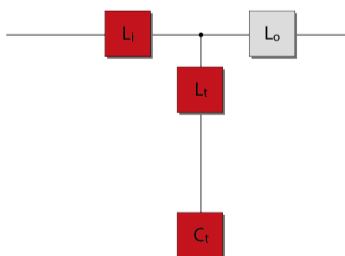


Table 1: Filter Configurations If External Air Flow Is Available For Cooling

(Filters do **not** contain fan and do **not** contain aux. power supply)

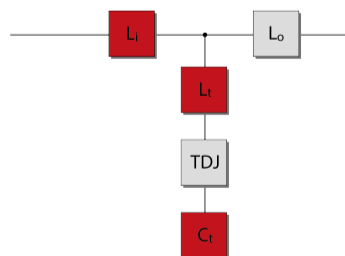
E0XXXXX

- For rectifiers without DC-link choke



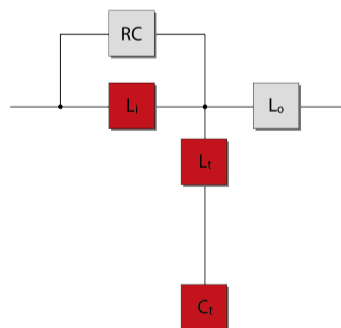
E0XXJXX

- For rectifiers without DC-link choke
- Filters contain trap disconnect jumper



E0XXXRX

- For rectifiers without DC-link choke and with EMI filter
- Filters contain RC damper module



E0XXJRX

- For rectifiers without DC-link choke and with EMI filter
- Contain RC damper module and trap disconnect jumper

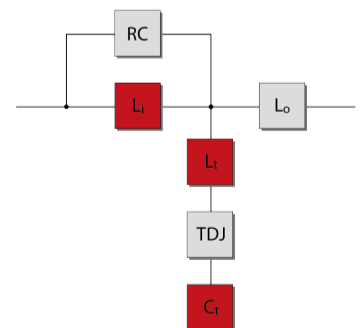
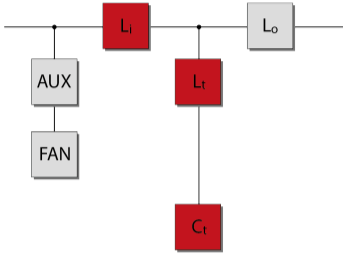


Table 2: Filter Configurations With Embedded Ventilation

(Filters contain fan and aux. power supply)

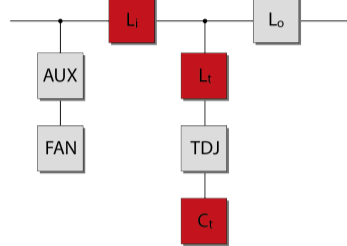
EOFAXXX and E2FAXXX

- For rectifiers without DC-link choke
- Filters contain fan, aux. power supply



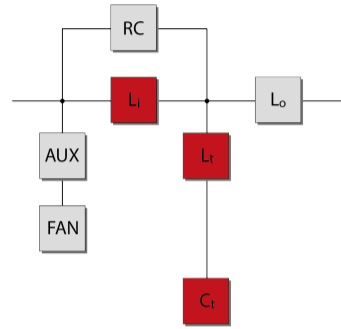
E0FAJXX and E2FAJXX

- For rectifiers without DC-link choke
- Filters contain fan, aux. power supply and trap disconnect jumper



E0FAXRX and E2FAXRX

- For rectifiers without DC-link choke and with EMI filter
- Filters contain fan, aux. power supply and RC damper module



E0FAJRX and E2FAJRX

- For rectifiers without DC-link choke and with EMI filter
- Filters contain fan, aux. power supply, RC damper module and trap disconnect jumper

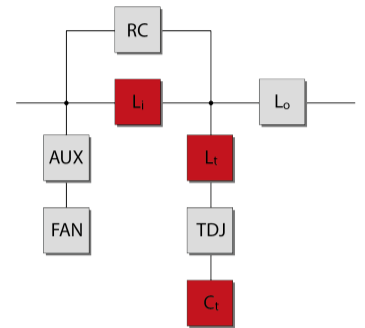
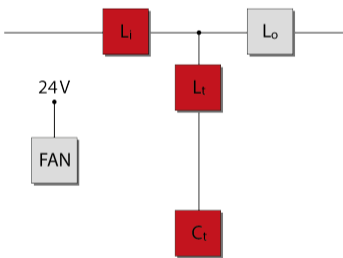


Table 3: Filter Configurations If External Aux. Power Supply For The Fan Is Available

(Filters contain fan but do not contain aux. power supply, user should provide aux. power supply to the fan)

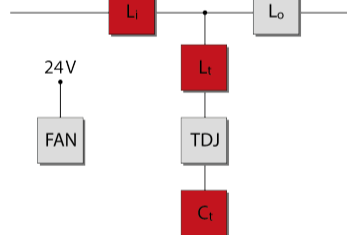
E0FXXXX and E2FXXXX

- For rectifiers without DC-link choke
- Filters contain fan



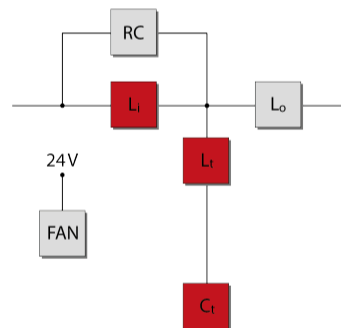
E0FXJXX and E2FXJXX

- For rectifiers without DC-link choke
- Filters contain fan and trap disconnect jumper



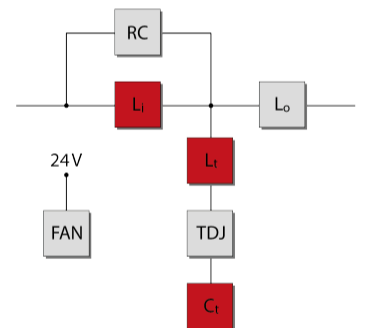
E0FXXRX and E2FXXRX

- For rectifiers without DC-link choke and with EMI filter
- Filters contain fan and RC damper module

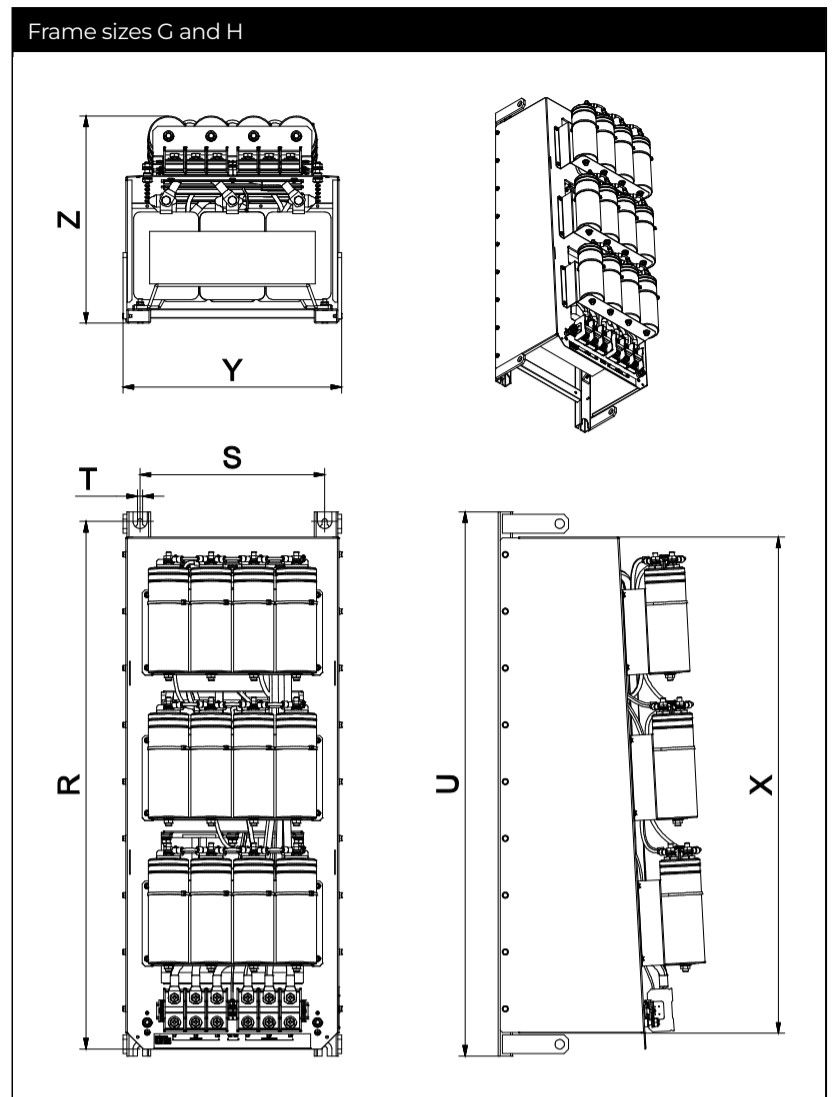
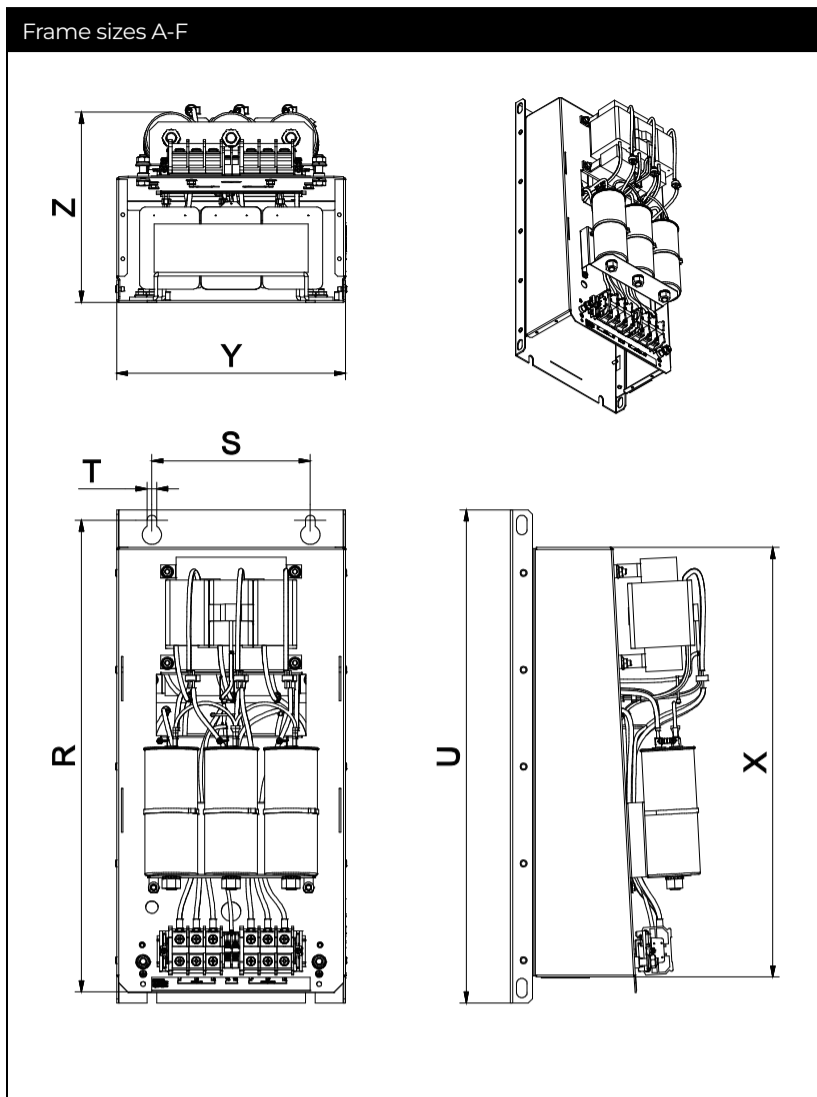


E0FXJRX and E2FXJRX

- For rectifiers without DC-link choke and with EMI filter
- Contain fan, RC damper module and trap disconnect jumper



Mechanical Data Of IP 00 Enclosure



Dimensions

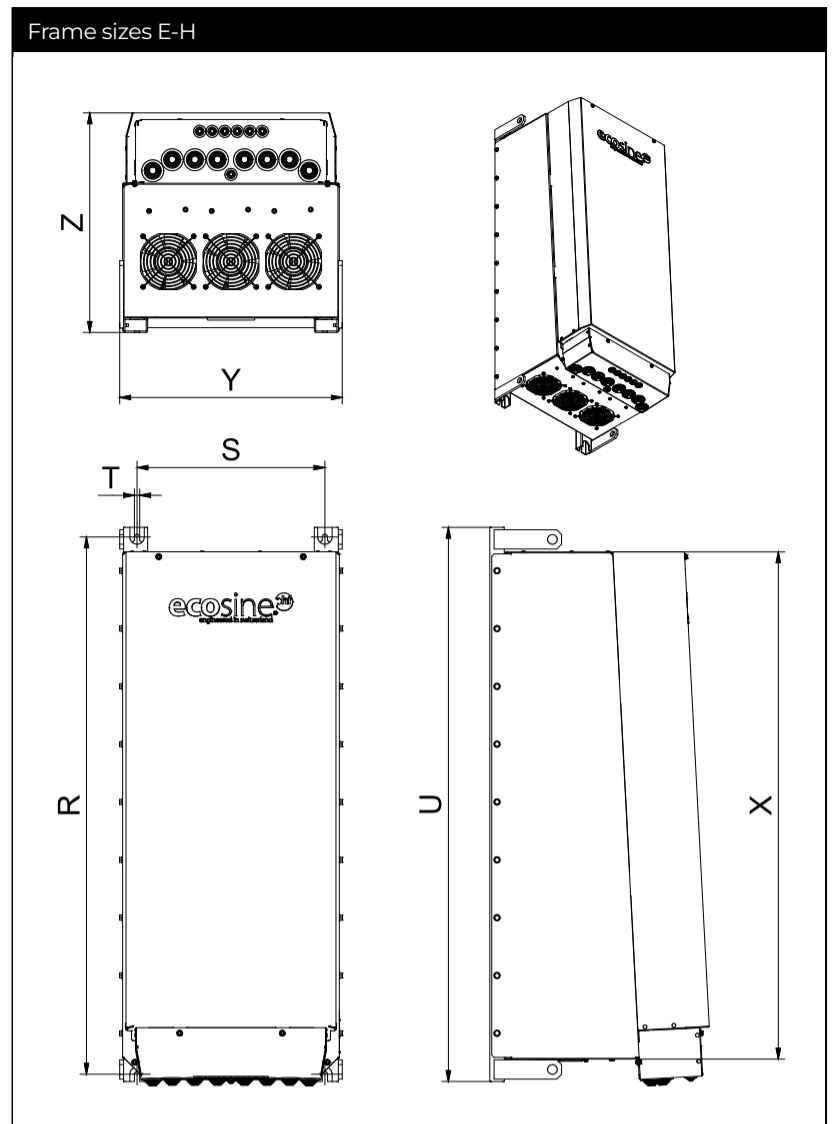
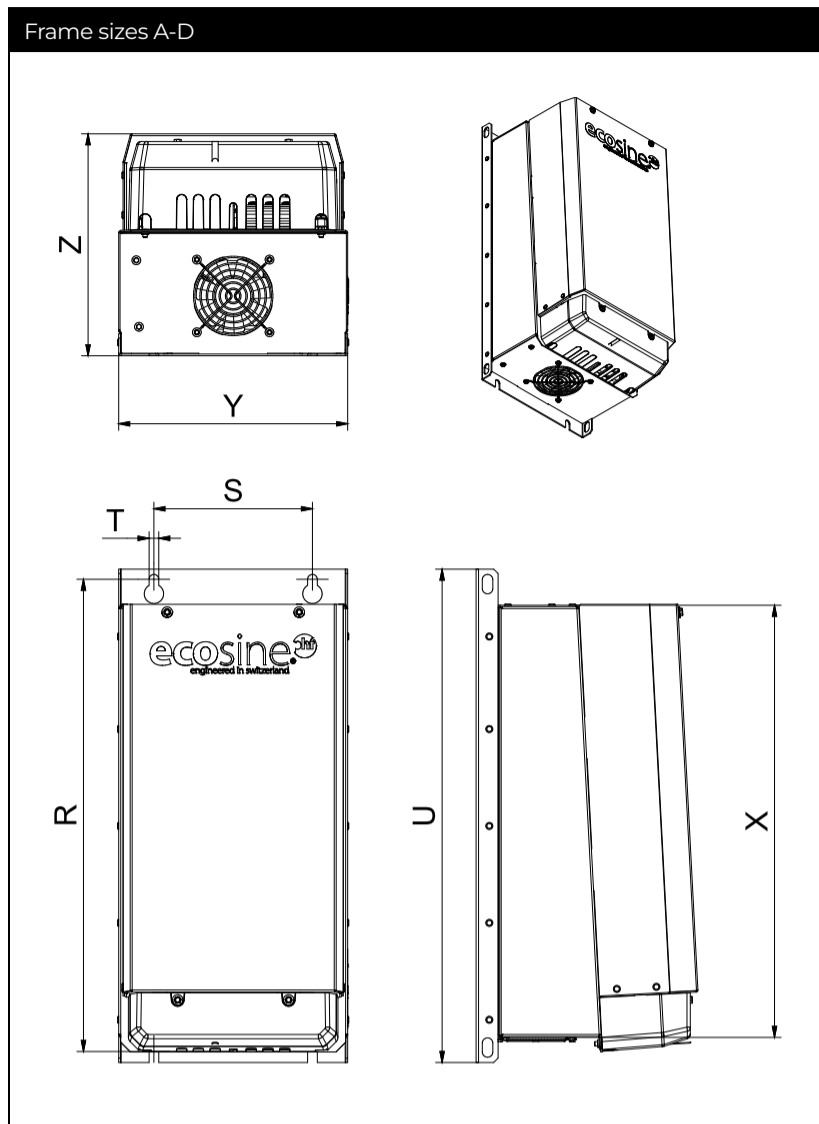
| Frame | Dimensions in [mm] | | | | | | | Dimensions in [in] | | | | | | | |
|-------|--------------------|---------------|----|------|------|--------|-----|--------------------|------|---------------|------|------|------|--------|--|
| | R | Drill pattern | | | Base | Volume | | | R | Drill pattern | | | Base | Volume | |
| | | S | T | U | X | Y | Z | | S | T | U | X | Y | Z | |
| A | 340 | 120 | 7 | 360 | 302 | 160 | 185 | 13.4 | 4.7 | 0.3 | 14.2 | 11.9 | 6.3 | 7.3 | |
| B | 405 | 120 | 7 | 425 | 370 | 180 | 206 | 15.9 | 4.7 | 0.3 | 16.7 | 14.6 | 7.1 | 8.1 | |
| C | 460 | 150 | 7 | 483 | 430 | 210 | 221 | 18.1 | 5.9 | 0.3 | 19.0 | 16.9 | 8.3 | 8.7 | |
| D | 540 | 180 | 11 | 560 | 491 | 260 | 252 | 21.3 | 7.1 | 0.4 | 22.0 | 19.3 | 10.2 | 9.9 | |
| E | 680 | 220 | 11 | 705 | 635 | 290 | 319 | 26.8 | 8.7 | 0.4 | 27.8 | 25.0 | 11.4 | 12.6 | |
| F | 730 | 250 | 11 | 752 | 684 | 340 | 343 | 28.7 | 9.8 | 0.4 | 29.6 | 26.9 | 13.4 | 13.5 | |
| G | 920 | 280 | 11 | 960 | 863 | 353 | 386 | 36.2 | 11.0 | 0.4 | 37.8 | 34.0 | 13.9 | 15.2 | |
| H | 1115 | 390 | 11 | 1150 | 1053 | 462 | 456 | 43.9 | 15.4 | 0.4 | 45.3 | 41.5 | 18.2 | 18.0 | |

Inlet Air Flow Required For Cooling

| Frame size | Min air volume* | |
|------------|-----------------|---------------|
| | [m3/h] | CFM [ft3/min] |
| A, B, C | 0 | 0 |
| D | 128 | 75 |
| E | 204 | 120 |
| F, G | 408 | 240 |
| H | 612 | 360 |

* External air flow required for filter configurations without embedded ventilation

Mechanical Data Of IP 20 Enclosure



Dimensions

| Frame | Dimensions in [mm] | | | | | | | Dimensions in [in] | | | | | | | |
|-------|--------------------|---------------|----|------|------|--------|-----|--------------------|------|---------------|------|------|------|--------|--|
| | R | Drill pattern | | | Base | Volume | | | R | Drill pattern | | | Base | Volume | |
| | | S | T | U | X | Y | Z | | S | T | U | X | Y | Z | |
| A | 340 | 120 | 7 | 360 | 302 | 160 | 185 | 13.4 | 4.7 | 0.3 | 14.2 | 11.9 | 6.3 | 7.3 | |
| B | 405 | 120 | 7 | 425 | 370 | 180 | 206 | 15.9 | 4.7 | 0.3 | 16.7 | 14.6 | 7.1 | 8.1 | |
| C | 460 | 150 | 7 | 483 | 430 | 210 | 221 | 18.1 | 5.9 | 0.3 | 19.0 | 16.9 | 8.3 | 8.7 | |
| D | 540 | 180 | 11 | 560 | 491 | 260 | 252 | 21.3 | 7.1 | 0.4 | 22.0 | 19.3 | 10.2 | 9.9 | |
| E | 680 | 220 | 11 | 705 | 635 | 290 | 319 | 26.8 | 8.7 | 0.4 | 27.8 | 25.0 | 11.4 | 12.6 | |
| F | 730 | 250 | 11 | 752 | 684 | 340 | 343 | 28.7 | 9.8 | 0.4 | 29.6 | 26.9 | 13.4 | 13.5 | |
| G | 920 | 280 | 11 | 960 | 863 | 353 | 386 | 36.2 | 11.0 | 0.4 | 37.8 | 34.0 | 13.9 | 15.2 | |
| H | 1115 | 390 | 11 | 1150 | 1053 | 462 | 456 | 43.9 | 15.4 | 0.4 | 45.3 | 41.5 | 18.2 | 18.0 | |

Inlet Air Flow Required For Cooling

| Frame size | Min air volume* | |
|------------|-----------------|---------------|
| | [m3/h] | CFM [ft3/min] |
| A, B, C | 0 | 0 |
| D | 128 | 75 |
| E | 204 | 120 |
| F, G | 408 | 240 |
| H | 612 | 360 |

* External air flow required for filter configurations without embedded ventilation