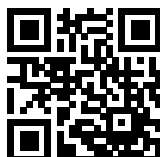


# Versatile Filtered Power Entry Module



- Rated currents up to 6 A
- Single or dual-fuse holder
- Fuses Ø6.3 x 32 mm or Ø5 x 20 mm
- Voltage selector 100/120/230/240 V
- General purpose application
- Optional medical versions (B type)



### Performance indicators

Attenuation performance



Rated current [A]



## Technical Specifications

<b>Maximum continuous operating voltage</b>	250 VOLT, 50/60 Hz
<b>Operating frequency</b>	DC to 400 Hz
<b>Rated currents</b>	2 to 6 A @ 40°C max.
<b>High potential test voltage</b>	P → PE 2000 VAC for 2 sec (standard types) P → PE 2500 VAC for 2 sec (B types) P → N 760 VAC for 2 sec
<b>Protection category</b>	IP 40 according to IEC 60529
<b>Temperature range (operation and storage)</b>	-25°C to +85°C (25/85/21)
<b>Design corresponding to</b>	UL 1283, CSA 22.2 No. 8 1986, IEC/EN 60939
<b>Flammability corresponding to</b>	UL 94 V-2 or better
<b>MTBF @ 40°C/230 V (Mil-HB-217F)</b>	550,000 hours
<b>Voltage selector description</b>	VOL-SE 4SP-4
<b>Function</b>	Series/parallel
<b>Voltage marking</b>	
<b>1st</b>	100
<b>2nd</b>	120
<b>3rd</b>	230
<b>4st</b>	240
<b>Closed internal contact corresponding to</b>	
<b>1st</b>	a, c, e
<b>2st</b>	b, c, e
<b>3st</b>	3st a, d
<b>4st</b>	b, d

\* Other selected voltage marking on request.

### Approvals & Compliances



The FN 370 power entry module combines an IEC inlet, a mains filter with a single or dual-fuse holder and a voltage selector. Choosing FN 370 product line brings you the rapid availability of a standard filter associated with the necessary safety acceptances. Standard IEC connector filters are a practical solution helping you to pass EMI system approval in a short time. A wide selection on amperage ratings, fuse options, mounting possibilities and filters for medical applications are designed to offer you the desired solution.

### Features and Benefits

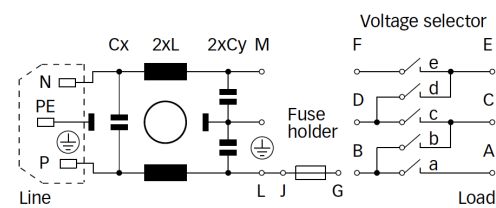
- Good conducted attenuation performance, based on chokes with high saturation resistance and excellent thermal behavior
- Rear/front or snap-in mounting
- Single or dual-fuse holder
- USA Ø6.3 x 32 mm or EU Ø5 x 20 mm fuses
- Two attenuation performance ranges
- Voltage selector 100/120/230/240 V
- Custom-specific versions are available on request

### Typical Applications

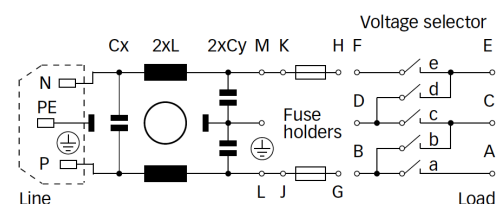
- Portable electrical and electronic equipment
- Consumer goods
- EDP and office equipment
- Single-phase power supplies, switch-mode power supplies
- Test and measurement equipment
- Medical equipment

### Typical electrical schematic

FN 370 / FN 376



FN 372 / FN 378 / FN 379



## Filter Selection Table

Filter*	Rated current @ 40°C (25°C) [A]	Leakage current** @ 230 VAC/50 Hz [μA]	Inductance L [mH]	Capacitance		Resistance R [kΩ]	Output connections	Fuses*** [Qty]	Weight [g]
				Cx [nF]	Cy [nF]				
<b>FN 370-2-2 z</b>	2 (2.4)	373	0.70	47	2.2		13	1	55
<b>FN 370-4-2 z</b>	4 (4.8)	373	0.30	47	2.2		13	1	55
<b>FN 370-6-2 z</b>	6 (7.2)	373	0.18	47	2.2		13	1	55
<b>FN 372-2-2 z</b>	2 (2.4)	373	0.70	47	2.2		13	2	55
<b>FN 372-4-2 z</b>	4 (4.8)	373	0.30	47	2.2		13	2	55
<b>FN 372-6-2 z</b>	6 (7.2)	373	0.18	47	2.2		13	2	55
<b>FN 378-2-2 z</b>	2 (2.4)	373	0.70	47	2.2		13	2	60
<b>FN 378-4-2 z</b>	4 (4.8)	373	0.30	47	2.2		13	2	60
<b>FN 378-6-2 z</b>	6 (7.2)	373	0.18	47	2.2		13	2	60
<b>FN 379-2-2 z</b>	2 (2.4)	373	2.00	47	2.2		13	2	70
<b>FN 379-4-2 z</b>	4 (4.8)	373	0.80	47	2.2		13	2	70
<b>FN 379-6-2 z</b>	6 (7.2)	373	0.50	47	2.2		13	2	70
<b>FN 379 B-2-2 z</b>	2 (2.4)	2	2.00	47		1000	13	2	70
<b>FN 379 B-4-2 z</b>	4 (4.8)	2	0.80	47		1000	13	2	70
<b>FN 379 B-6-2 z</b>	6 (7.2)	2	0.50	47		1000	13	2	70

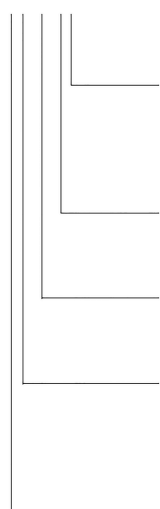
\* Select the requested fuse holder for fuse EUR-1 or USA-1 (z).

\*\* Maximum leakage under normal operating conditions. Note: if the neutral line is interrupted, worst case leakage could reach twice this level.

\*\*\* Filters are delivered without fuse.

### Product selector

FN 37xx-y-zz



- 1: Fuse Ø5 x 20mm (FUSE-H EUR-1)
- 2: Fuse Ø6.3 x 32mm (FUSE-H USA-1)
- 2: Voltage selector, series / parallel 100/120/230/240V
- 2 to 6: Rated current
- Blank: Standard version
- B: Medical version (with bleed resistor and without Y2-capacitor)
- 0: Snap-in version, single-fuse, standard performance
- 2: Snap-in version, dual-fuse, standard performance
- 8: Flange mounting version, dual-fuse, standard performance
- 9: Flange mounting version, dual-fuse, high performance

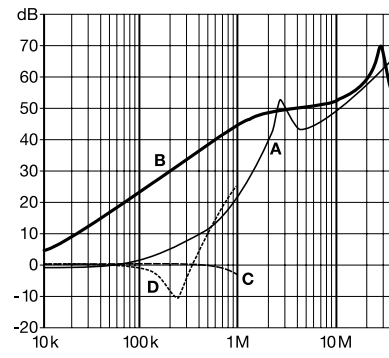
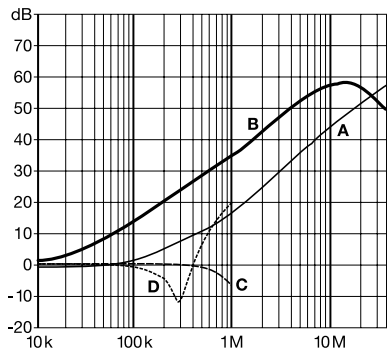
For example: FN 370-6-21, FN 378-4-22, FN 379 B-2-22

### Typical Filter Attenuation

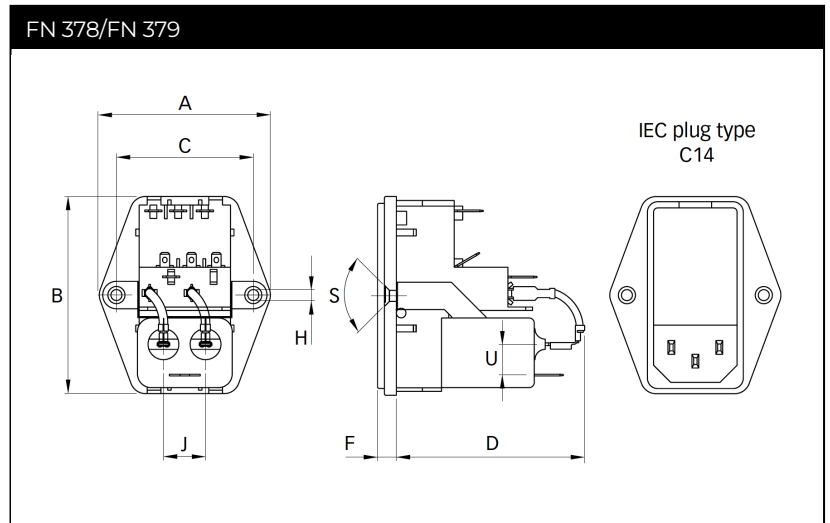
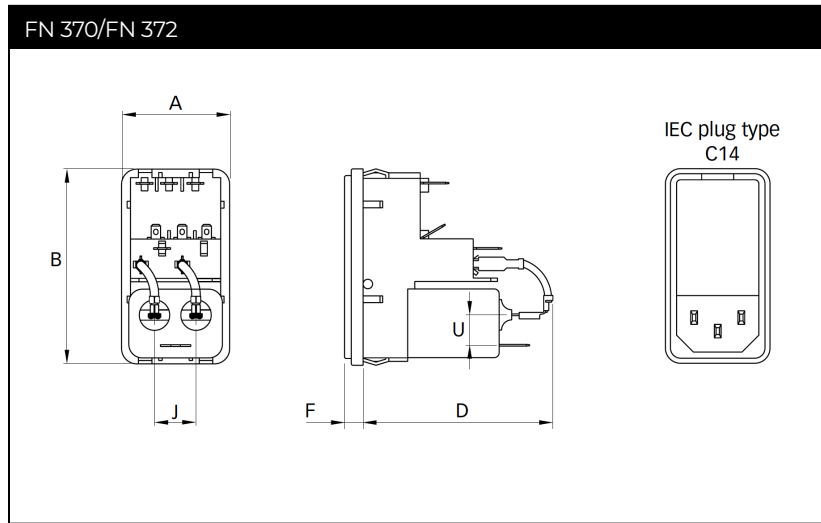
Per CISPR 17; A=50 Ω/50 Ω sym; B=50 Ω/50 Ω asym; C=0.1 Ω/100 Ω sym; D=100 Ω/0.1 Ω sym

FN 370/FN 372/FN 378

FN 379

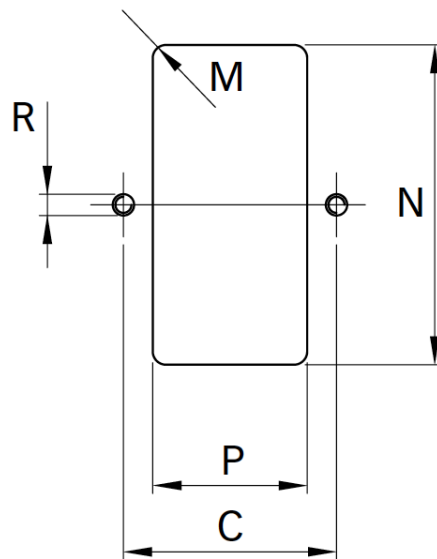
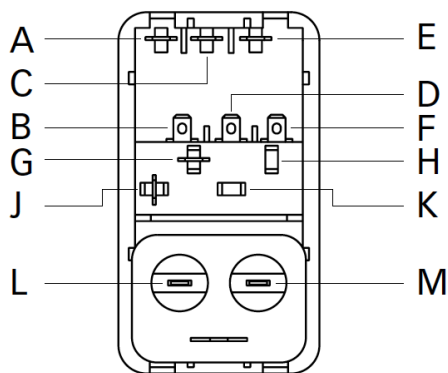


### Mechanical Data



Connection designation

Panel cut out



## Dimensions

	FN 370	FN 372	FN 378	FN 379	Tolerances
<b>A</b>	32	32	50	50	±0.3
<b>B</b>	58	58	58	58	±0.3
<b>C</b>			40	40	±0.1
<b>D</b>	54	54	54	64.5	
<b>F</b>	5.5	5.5	5.5	5.5	
<b>H</b>			Ø3.3	Ø3.3	
<b>J</b>	12.5	12.5	12.5	12.5	
<b>M</b>	R ≤2	R ≤2	R ≤2	R ≤2	±0.1
<b>N</b>	55.9*/56.2**	55.9*/56.2**	55.9*/56.2**	55.9*/56.2**	+0.2/-0
<b>P</b>	28.5	28.5	28.5	28.5	+0.2/-0
<b>R</b>			M3	M3	
<b>S</b>			90°	90°	
<b>U</b>	9	9	9	9	

\* For a panel thickness between 0.8 and 3 mm

\*\* For a back panel thickness between 2.1 and 3.2 mm

All dimensions in mm; 1 inch = 25.4 mm

Tolerances according: ISO 2768-m/EN 22768-m

Please visit [www.schaffner.com](http://www.schaffner.com) to find more details on filter connectors.