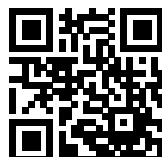


Versatile Filtered Power Entry Module



- Rated currents up to 6 A
- Single or dual-fuse holder
- Fuses Ø6.3 x 32 mm Ø5 x 20 mm
- 2-pole rocker switch
- General purpose application
- Optional medical versions (B type)



Performance indicators

Attenuation performance



Rated current [A]



Approvals & Compliances



The FN 380 power entry module combines an IEC inlet, a mains filter with a single or dual fuse holder and a 2-pole rocker switch. Choosing FN 380 product line brings you the rapid availability of a standard filter associated with the necessary safety acceptances. Standard IEC connector filters are a practical solution helping you to pass EMI system approval in a short time. A wide selection on amperage ratings, fuse options, mounting possibilities and filters for medical applications are designed to offer you the desired solution.

Features and Benefits

- Good conducted attenuation performance, based on chokes with high saturation resistance and excellent thermal behavior
- Front or snap-in mounting
- Single or dual-fuse holder
- USA Ø6.3 x 32 mm or EU Ø5 x 20 mm fuses
- 2-pole rocker switch

Technical Specifications

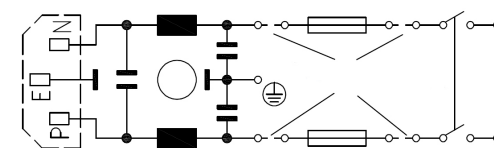
Maximum continuous operating voltage	250 VAC, 50/60 Hz
Operating frequency	50 to 400 Hz DC to 400 Hz
Rated currents	2 to 6 A @ 40°C max
High potential test voltage	P → PE 2000 VAC for 2 sec (standard types) P → PE 2500 VAC for 2 sec (B types) P → N 760 VAC for 2 sec
Protection category	IP 40 according to IEC 60529
Temperature range (operation and storage)	-25°C to +85°C (25/85/21)
Design corresponding to	UL 1283, CSA 22.2 No. 8 1986, IEC/EN 60939
Flammability corresponding to	UL 94 V-2 or better
MTBF @ 40°C/230 V (Mil-HB-217F)	550,000 hours
Function	2-pole, dark not illuminated Marking I - 0
Electrical specifications	Inrush current 51 A 6,000 on-off operations according to UL 1054, TV 5 10,000 on-off operations according to ENEC
Mechanical life	50,000 cycles
Switch ratings	
Europe (ENEC)	6 A (4 A), 250 VAC*
USA (UL)	6 A, 125 VAC; 4 A, 250 VAC; 1/10 HP
Canada (CSA)	6 A, 125 VAC; 4 A, 250 VAC; 1/10 HP

* Value in () relates to the inductive current charge: $\cos \varphi = 0.65$

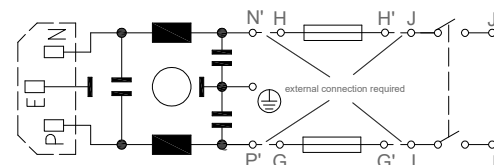
Typical Applications

- Portable electrical and electronic equipment
- Consumer goods
- EDP and office equipment
- Single-phase power supplies, switch-mode power supplies
- Test and measurement equipment
- Medical equipment

Typical electrical schematic (single fuse)



Typical electrical schematic (dual fuse)



Filter Selection Table

Filter*	Rated current @ 40°C (25°C) [A]	Leakage current** @ 230 VAC/50 Hz [µA]	Inductance*** L [mH]	Capacitance***		Resistance*** R [kΩ]	Fuses**** [Qty]	Weight [g]
				Cx [nF]	Cy [nF]			
FN 380-2-2 z	2 (2.4)	373	0.70	47	2.2		1	55
FN 380-4-2 z	4 (4.8)	373	0.30	47	2.2		1	55
FN 380-6-2 z	6 (7.2)	373	0.18	47	2.2		1	55
FN 382-2-2 z	2 (2.4)	373	0.70	47	2.2		2	55
FN 382-4-2 z	4 (4.8)	373	0.30	47	2.2		2	55
FN 382-6-2 z	6 (7.2)	373	0.18	47	2.2		2	55
FN 388-2-2 z	2 (2.4)	373	0.70	47	2.2		2	60
FN 388-4-2 z	4 (4.8)	373	0.30	47	2.2		2	60
FN 388-6-2 z	6 (7.2)	373	0.18	47	2.2		2	60
FN 389-2-2 z	2 (2.4)	373	2.00	47	2.2		2	70
FN 389-4-2 z	4 (4.8)	373	0.80	47	2.2		2	70
FN 389-6-2 z	6 (7.2)	373	0.50	47	2.2		2	70
FN 382 B-2-2 z	2 (2.4)	2	0.70	47		1000	2	55
FN 382 B-4-2 z	4 (4.8)	2	0.30	47		1000	2	55
FN 382 B-6-2 z	6 (7.2)	2	0.18	47		1000	2	55
FN 385 B-2-2 z	2 (2.4)	2	2.00	47		1000	2	65
FN 385 B-4-2 z	4 (4.8)	2	0.80	47		1000	2	65
FN 385 B-6-2 z	6 (7.2)	2	0.50	47		1000	2	65
FN 389 B-2-2 z	2 (2.4)	2	2.00	47		1000	2	70
FN 389 B-4-2 z	4 (4.8)	2	0.80	47		1000	2	70
FN 389 B-6-2 z	6 (7.2)	2	0.50	47		1000	2	70

* Select the requested fuse holder for fuse EUR-1 or USA-1 (z).

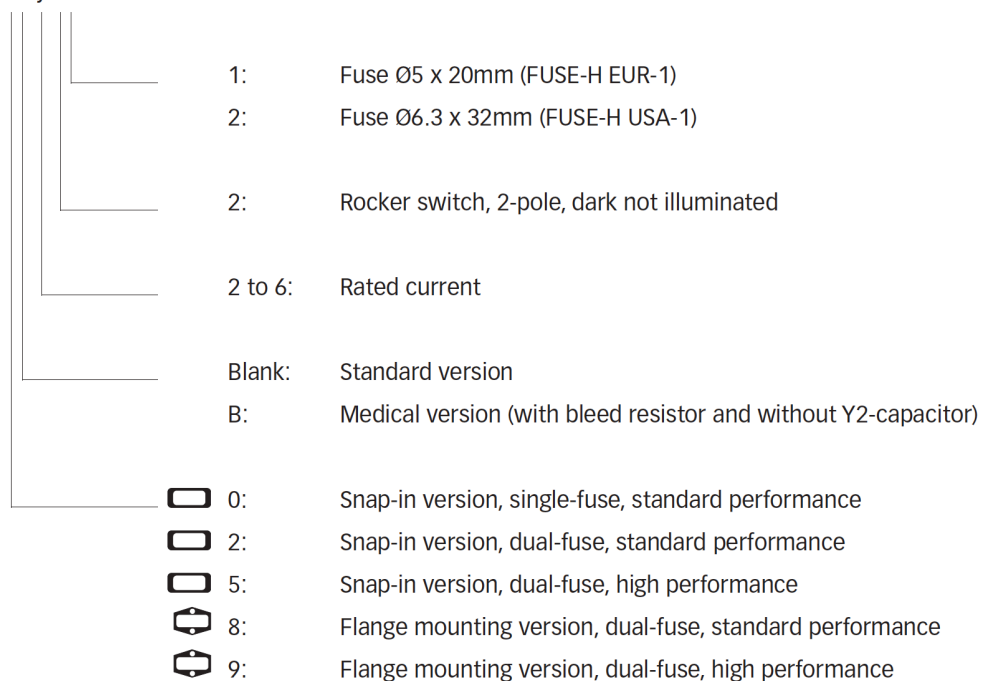
** Maximum leakage under normal operating conditions. Note: if the neutral line is interrupted, worst case leakage could reach twice this level.

*** Tolerances apply: Inductance: -30/+50%, Capacitance: ±20%, Resistance: ±10%

**** Filters are delivered without fuse.

Product selector

FN 38xx-y-zz

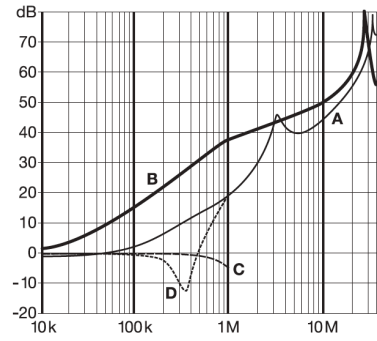
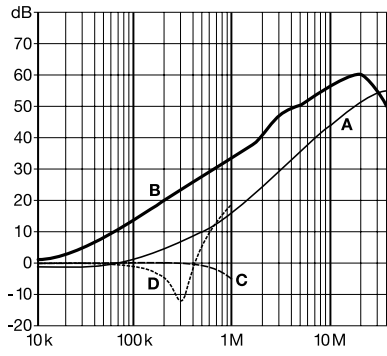


Typical Filter Attenuation

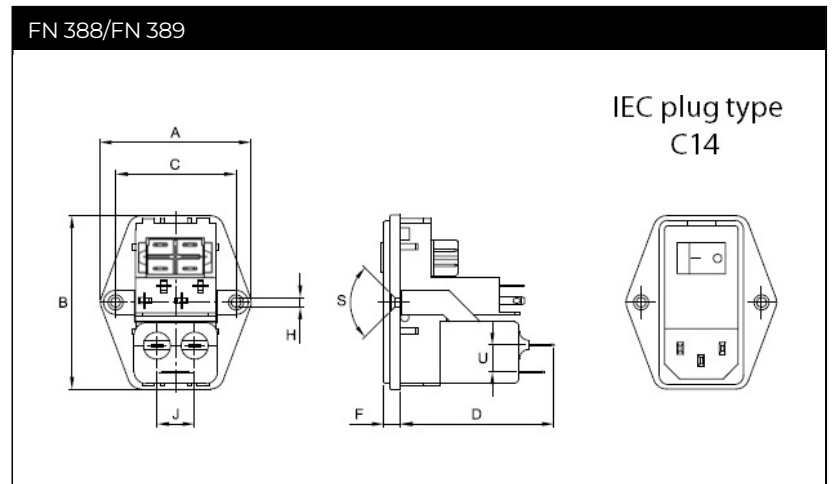
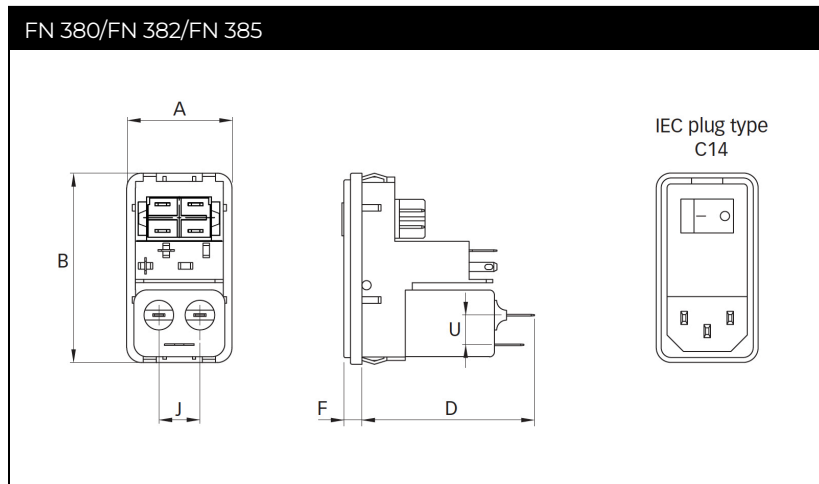
Per CISPR 17; A=50 Ω/50 Ω sym; B=50 Ω/50 Ω asym; C=0.1 Ω/100 Ω sym; D=100 Ω/0.1 Ω sym

FN 380/FN 382/FN 388

FN 385/FN 389



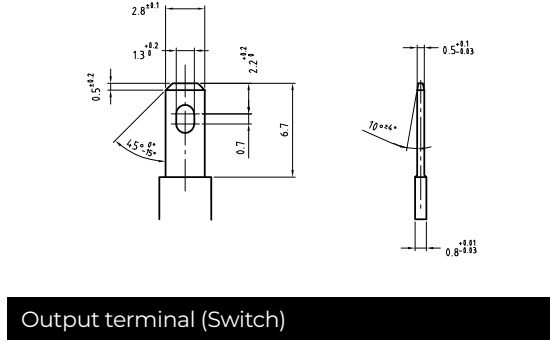
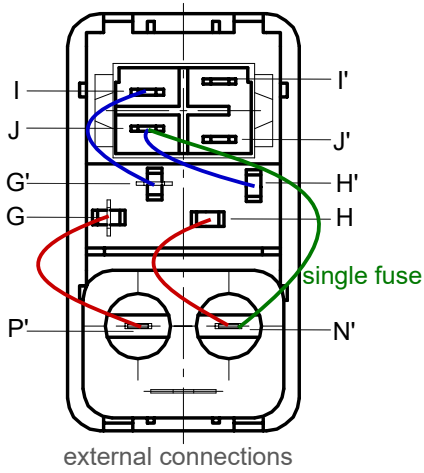
Mechanical Data



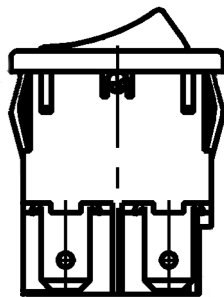
Connection designation

Output terminal (Filter and Fuse)

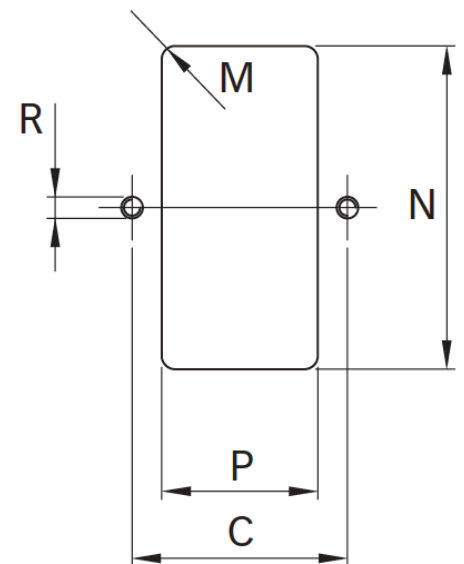
Panel cut out



Output terminal (Switch)



Blade terminals of switch acc. DIN 46 244-A4.8-0.8 (do not connect by soldering)



Dimensions

	FN 380	FN 382	FN 385	FN 388	FN 389	Tolerances
A	32	32	32	50	50	±0.3
B	58	58	58	58	58	±0.3
C				40	40	±0.1
D	51	51	61	51	61	
F	5.5	5.5	5.5	5.5	5.5	
H				Ø3.3	Ø3.3	
J	12.5	12.5	12.5	12.5	12.5	
M	R ≤2	R ≤2	R ≤2	R ≤2	R ≤2	±0.1
N	55.9*/56.2**	55.9*/56.2**	55.9*/56.2**	55.9*/56.2**	55.9*/56.2**	+0.2/-0
P	28.5	28.5	28.5	28.5	28.5	+0.2/-0
R				M3	M3	
S				90°	90°	
U	9	9	9	9	9	

* For a back panel thickness between 0.8 and 2.0 mm

** For a back panel thickness between 2.1 and 3.2 mm

All dimensions in mm; 1 inch=25.4 mm

Tolerances according: ISO 2768-m/EN 22768-m

Please visit www.schaffner.com to find more details on filter connectors.