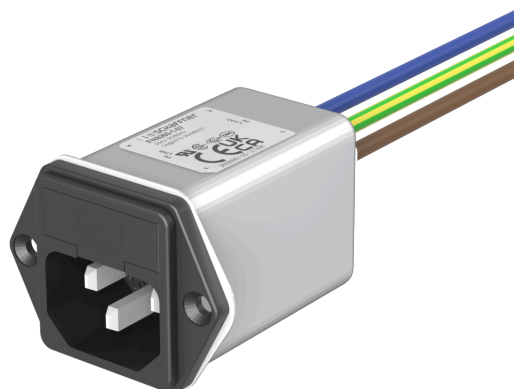
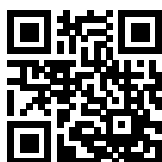


General Purpose Power Entry Module with Fuses



- Rated currents up to 10 A
- Integrated single/dual fuse holder
- Optional reduced leakage current versions (A/B type)
- Complies with IEC/EN 60601-1
- Snap-in versions (S type)
- Good attenuation performance
- NEW: Wire leads option



Performance indicators

Attenuation performance



Rated current [A]



Approvals & Compliances



The FN9260 power entry module combines an IEC inlet, mains filter with excellent filter attenuation and fuses in a small form factor. Choosing FN9260 product line brings you rapid availability of a standard filter associated with the necessary safety acceptances. Standard IEC connector filters are a practical solution helping you to pass EMI system approval in a short time. A wide selection on amperage ratings, output connections, mounting possibilities and filters for medical applications are designed to offer you the desired solution.

Features and Benefits

- Exceptional conducted attenuation performance, based on chokes with high saturation resistance and excellent thermal behavior
- FN9260 B versions comply with the requirements of 1MOP acc. to IEC/EN 60601-1 for creepage and clearance, leakage current and high potential testing
- Versions up to 10 A are available with fuse holder for one or two fuses
- Custom-specific versions are available on request

Technical Specifications

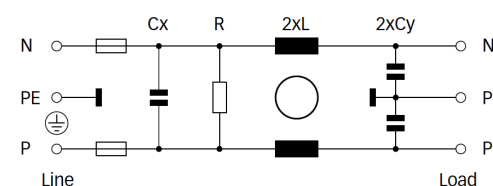
| | |
|--|---|
| Maximum continuous operating voltage | 250 VAC, 50/60 Hz |
| Operating frequency | DC to 400 Hz |
| Rated currents | 1 to 10 A @ 40°C max |
| High potential test voltage | P → PE 2000 VAC for 2 sec (standard types) P → PE 2500 VAC for 2 sec (B types) P → N 760 VAC for 2 sec |
| Protection category | IP 40 according to IEC 60529 |
| Temperature range (operation and storage) | -25°C to +85°C (25/85/21) |
| Design corresponding to | UL 60939-3, CSA Std C22.2 No. 8-13, IEC/EN 60939-3, GB/T15287, GB/T15288 |
| Flammability corresponding to | Inlet plastic: UL 94 V-0 Fuseholder plastic: UL 94 V-0 |
| MTBF @ 40°C/230 V (Mil-HB-217F) | 2,200,000 hours |
| Fuse holder | 1 or 2 fuses (Ø5 x 20 mm) (certified to IEC 60127-6), power acceptance 1.6W @ Ta 23°C per pole for 2 fuses. 2.5W, if only 1 pole is used. |

Typical Applications

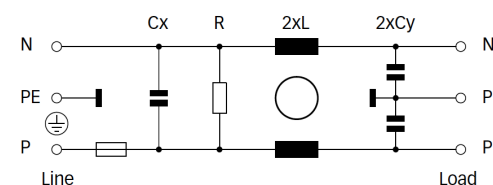
- Portable electrical and electronic equipment
- Medical equipment
- Small to medium-sized machines and household equipment
- Single-phase power supplies, switch-mode power supplies
- Test and measurement equipment

Typical electrical schematic

FN 9260 (B types without Y-capacitors)



FN 261



Filter Selection Table

| Filter | Buy | Rated current @ 40°C (25°C) | Leakage current* @ 250 VAC/50 Hz (@ 120 VAC/60 Hz) | Inductance** L | Capacitance** | | Resistance** R | Output connections | | Fuses*** [Qty] | Weight [g] |
|-------------------|-----|--------------------------------|--|-------------------|---------------|------|-------------------|--------------------|-----|-------------------|---------------|
| | | | | | Cx | Cy | | | | | |
| | | [A] | [mA] | [mH] | [µF] | [nF] | [kΩ] | | | | |
| FN9260v-1-yy-zz | | 1 (1.2) | 0.31 (0.18) | 5.3 | 0.1 | 2.2 | 1000 | -06 | -07 | 2 | 55 |
| FN9260v-2-yy-zz | | 2 (2.3) | 0.31 (0.18) | 2.7 | 0.1 | 2.2 | 1000 | -06 | -07 | 2 | 55 |
| FN9260v-4-yy-zz | | 4 (4.6) | 0.31 (0.18) | 1.0 | 0.1 | 2.2 | 1000 | -06 | -07 | 2 | 55 |
| FN9260v-6-yy-zz | | 6 (6.9) | 0.31 (0.18) | 0.3 | 0.1 | 2.2 | 1000 | -06 | -07 | 2 | 55 |
| FN9260v-10-yy-zz | | 10 (11.5) | 0.31 (0.18) | 0.2 | 0.1 | 2.2 | 1000 | -06 | -07 | 2 | 55 |
| FN9260vA1-1-yy-zz | | 1 (1.2) | 0.03 (0.02) | 5.3 | 0.1 | 0.22 | 1000 | -06 | -07 | 2 | 55 |
| FN9260vA-2-yy-zz | | 2 (2.3) | 0.07 (0.04) | 2.7 | 0.1 | 0.47 | 1000 | -06 | -07 | 2 | 55 |
| FN9260vA-4-yy-zz | | 4 (4.6) | 0.07 (0.04) | 1.0 | 0.1 | 0.47 | 1000 | -06 | -07 | 2 | 55 |
| FN9260vA-6-yy-zz | | 6 (6.9) | 0.07 (0.04) | 0.3 | 0.1 | 0.47 | 1000 | -06 | -07 | 2 | 55 |
| FN9260vA-10-yy-zz | | 10 (11.5) | 0.07 (0.04) | 0.2 | 0.1 | 0.47 | 1000 | -06 | -07 | 2 | 55 |
| FN9260vB-1-yy-zz | | 1 (1.2) | 0.00 | 5.3 | 0.1 | | 1000 | -06 | -07 | 2 | 55 |
| FN9260vB-2-yy-zz | | 2 (2.3) | 0.00 | 2.7 | 0.1 | | 1000 | -06 | -07 | 2 | 55 |
| FN9260vB-4-yy-zz | | 4 (4.6) | 0.00 | 1.0 | 0.1 | | 1000 | -06 | -07 | 2 | 55 |
| FN9260vB-6-yy-zz | | 6 (6.9) | 0.00 | 0.3 | 0.1 | | 1000 | -06 | -07 | 2 | 55 |
| FN9260vB-10-yy-zz | | 10 (11.5) | 0.00 | 0.2 | 0.1 | | 1000 | -06 | -07 | 2 | 55 |
| FN261v-1-06-zz | | 1 (1.2) | 0.31 (0.18) | 5.3 | 0.1 | 2.2 | 1000 | -06 | | 1 | 55 |
| FN261v-2-06-zz | | 2 (2.3) | 0.31 (0.18) | 2.7 | 0.1 | 2.2 | 1000 | -06 | | 1 | 55 |
| FN261v-4-06-zz | | 4 (4.6) | 0.31 (0.18) | 1.0 | 0.1 | 2.2 | 1000 | -06 | | 1 | 55 |
| FN261v-6-06-zz | | 6 (6.9) | 0.31 (0.18) | 0.3 | 0.1 | 2.2 | 1000 | -06 | | 1 | 55 |
| FN261v-10-06-zz | | 10 (11.5) | 0.31 (0.18) | 0.2 | 0.1 | 2.2 | 1000 | -06 | | 1 | 55 |

* Leakage current under normal operating conditions (acc. to IEC60939-3). Note: if the neutral line is interrupted, worst case leakage could reach twice this level.

** Tolerances apply: Inductance: -30/+50%, Capacitance: ±20%, Resistance: ±10%

*** Fuses are not included in the filter and need to be selected according to application

Product selector

FN9260vw- xx-yy-zz

- 10: Snap-in range for S version only
- 20: Snap-in range 0.6 to 1.5mm
- 30: Snap-in range 1.6 to 2.5mm
- 06: Snap-in range 2.6 to 3.5mm
- 06: Fast-on 6.3 x 0.8mm (spade/soldering)
- 07: Wire leads
- 1 to 10: Rated current
- Blank: Standard version
- A: Safety version
- B: Medical version (without Y-capacitor)
- Blank: Standard housing with mounting flanges
- S: Snap-in version, snapper on vertical side

For example: FN9260-1-06-10, FN9260SB-10-06-20, FN261S-6-06-30

Typical Filter Attenuation

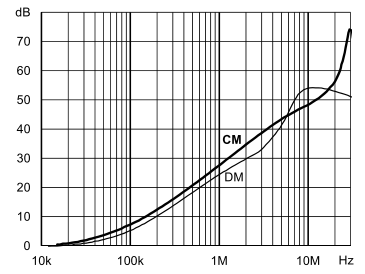
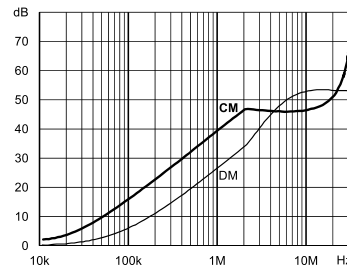
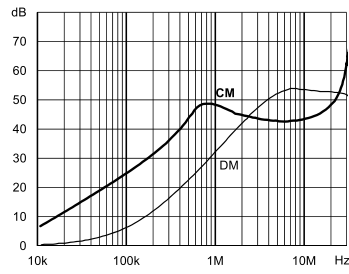
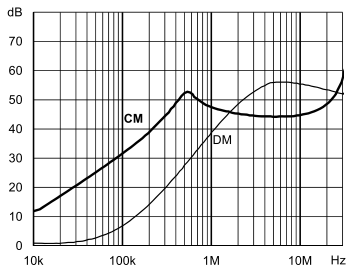
Per CISPR 17; DM (differential mode)=50 Ω/50 Ω sym; CM (common mode)=50 Ω/50 Ω asym

FN261/ FN9260: 1 A type

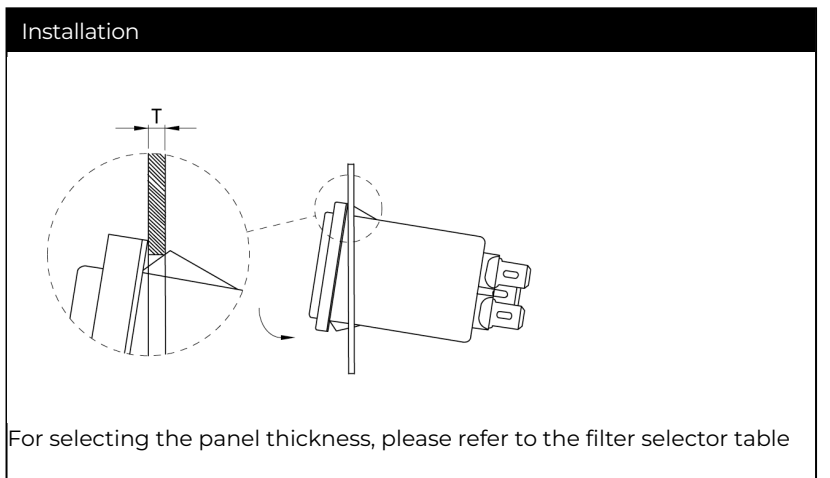
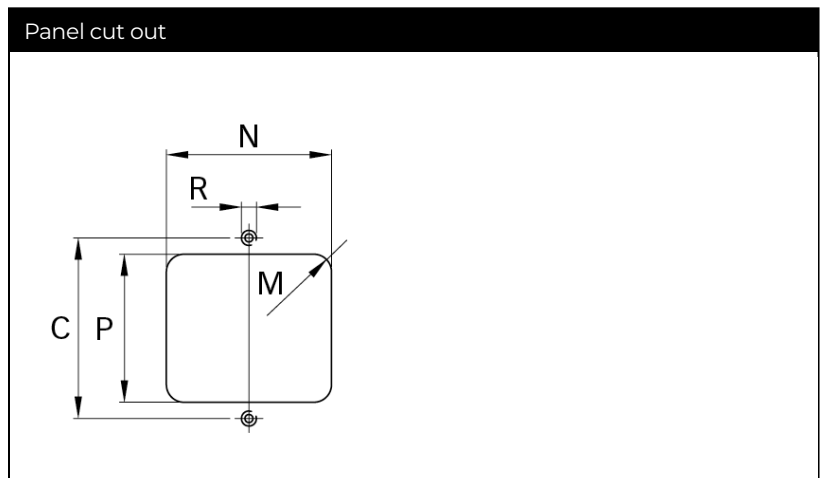
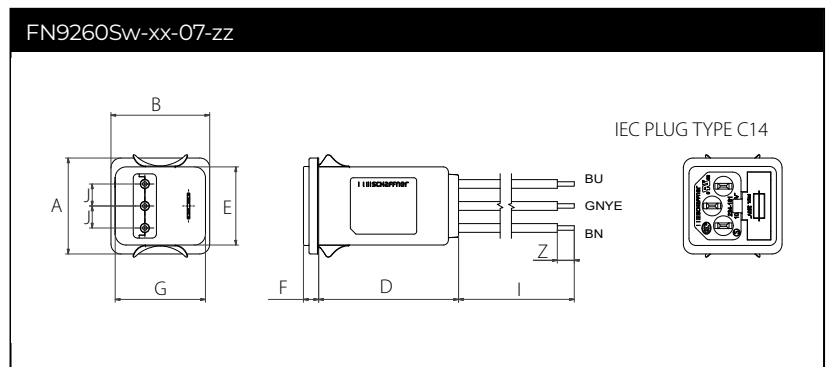
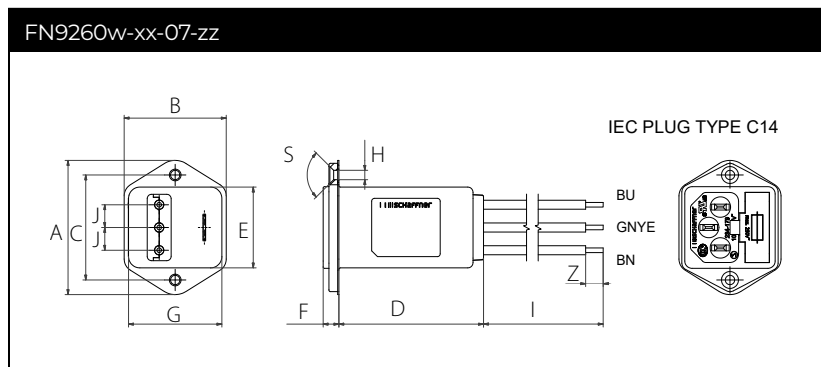
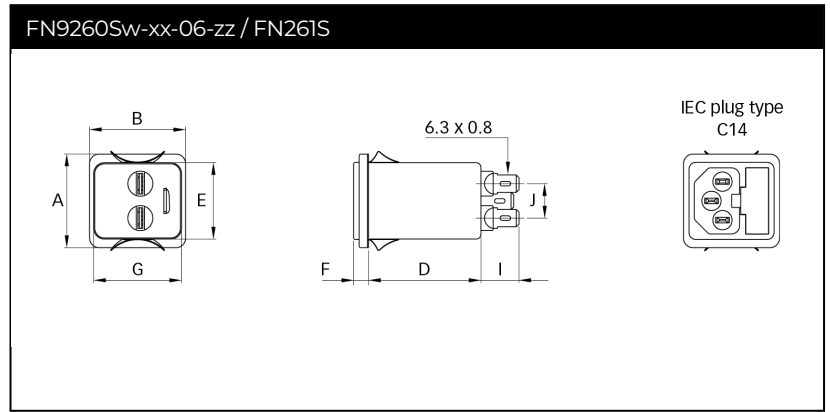
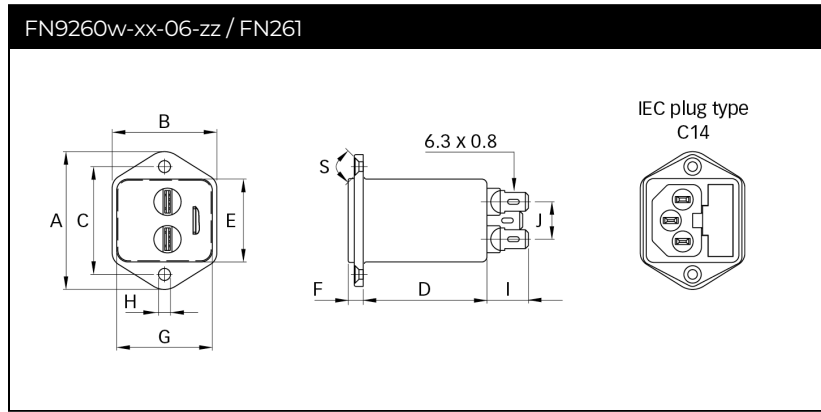
FN261/ FN9260: 2 A type

FN261/ FN9260: 4 A type

FN261/ FN9260: 6 and 10 A types



Mechanical Data



Dimensions

| | FN9260vw-xx-06-zz FN261 Fast-On | FN9260vw-xx-07-zz Wire leads** | FN9260Sw-xx-06-zz FN261 Fast-On | FN9260Sw-xx-07-zz Wire leads** | Tolerances |
|-----------|---------------------------------------|-----------------------------------|---------------------------------------|-----------------------------------|------------|
| A | 46 | 46 | 34 | 34 | ±0.3 |
| B | 35 | 35 | 35 | 35 | ±0.3 |
| C | 36 | 36 | | | ±0.3 |
| D | 41 | 50 | 41 | 50 | |
| E | 27.8 | 27.8 | 27.8 | 27.8 | +0.3/-0 |
| F | 5.5 | 5.5 | 5.5 | 5.5 | ±0.3 |
| G | 32 | 32 | 32 | 32 | +0.3/-0 |
| H | Ø3.2 | Ø3.2 | | | ±0.1 |
| I | 14±0.5 | 160±5** | 14±0.5 | 160±5** | |
| J | 12.5 | 7.8 | 12.5 | 7.8 | |
| M | R ≤3.5 | R ≤3.5 | R ≤3.5 | R ≤3.5 | |
| N | 33 +0.3/-0 | 33 +0.3/-0 | 33 +0.2/-0 | 33 +0.2/-0 | |
| P | 29 ±0.3 | 29 ±0.3 | 29.5 ±0.2 | 29.5 ±0.2 | |
| R* | M3 | M3 | | | |
| S | 90° | 90° | | | |
| Z | | 6 | | 6 | |

*Recommended torque for M3 (90° countersunk flat head) is 0.5 Nm

** 1 A - 6 A - AWG18; 10 A - AWG16

All dimensions in mm; 1 inch = 25.4 mm / Tolerances according: ISO 2768-m/EN 22768-m

Please visit www.schaffner.com to find more details on filter connections.

Accessories

IL 13P IEC C13 Rewireable Connectors with Locking System



The locking system has a tensile force of typical 300N. It is recommended to use it with flange mount filters. For details refer to our Application Note "Using IEC Lock Power Cords with IEC Inlets and Filters".

Schaffner power connector with IEC lock guard against accidental disconnection of all electrical appliances with an IEC inlet. No exchange or modification of the IEC inlet or IEC inlet filter system is needed. Easy retrofit .for all electronic equipments and devices

[Technical Data Sheet >](#)

IL 13P IEC C13 Rewireable Angled Connectors with Locking System



- Protects appliances that are vulnerable to vibration
- Connector cannot be accidentally pulled or vibrated out of the inlet
- Space availability/constraints
- Different angles for ease of access
- Space saving
- Release locking mechanism
- Prevents accidental disconnection

[Technical Data Sheet >](#)

Power Cord with angled Locking System C13



- Protects appliances that are vulnerable to vibration
- Connector cannot be accidentally pulled or vibrated out of the inlet
- Space availability/constraints
- Different angles for ease of access
- Space saving
- Release locking mechanism
- Prevents accidental disconnection

[Technical Data Sheet >](#)