

# General Purpose Power Entry Module with Switch



- Rated currents up to 10 A
- High quality 2-pole rocker switch
- Optional reduced leakage current versions (A/B type)
- Complies with IEC/EN 60601-1
- Snap-in versions (S type)
- Good attenuation performance



### Performance indicators

Attenuation performance



Rated current [A]



### Approvals & Compliances



### Features and Benefits

- Excellent conducted attenuation performance, based on chokes with high saturation resistance and good thermal behavior
- High quality 2-pole rocker switch for all-pole disconnection
- Faston terminals for easy assembly
- FN 9264 B versions comply with the requirements of 1MOP acc. to IEC/EN 60601-1 for creepage and clearance, leakage current and high potential testing
- As flange mount and snap-in types available

### Typical Applications

- Portable electrical and electronic equipment
- EDP and office equipment
- Single-phase power supplies
- Switch-mode power supplies
- Test and measurement equipment
- Medical electrical devices (MD) and In-Vitro Diagnostic (IVD) medical devices

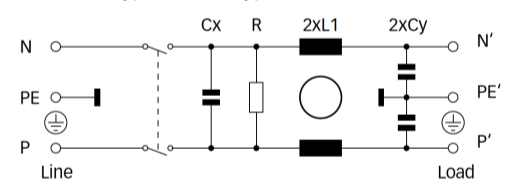
## Technical Specifications

<b>Maximum continuous operating voltage</b>	250 VAC, 50/60 Hz
<b>Nominal operating voltage</b>	230 VAC
<b>Rated currents</b>	1 to 10 A @ 40°C
<b>Operating frequency</b>	DC to 400 Hz
<b>High potential test voltage</b>	P → PE 2000 VAC for 2 sec (Standard) P → PE 2500 VAC for 2 sec (B-types) P → N 760 VAC for 2 sec
<b>Temperature range (operation and storage)</b>	-25°C to +85°C (25/85/21) -25°C to +85°C (25/85/21)
<b>Protection category</b>	IP 40 according to IEC 60529
<b>Flammability corresponding to</b>	UL 94 V-2 or better
<b>Design corresponding to</b>	UL 60939-3, CSA Std C22.2 No. 8, IEC/EN 60939-3, GB/T15287, GB/T15288
<b>MTBF (Mil-HB-217F)</b>	>616,000 h @ 40°C/230 V
<b>Switch ratings</b>	
<b>Function</b>	2-pole, dark not illuminated Marking I – 0
<b>Electrical specifications</b>	Inrush current 100 A 50,000 on-off operations for 10 A according to EN 610581-1
<b>Europe (ENEC)</b>	10 A (4 A), 250 VAC* 5E4
<b>USA (UL)</b>	20 A, 125 VAC 1 HP 250 VAC 2 HP

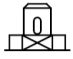
\* Value in () relates to the inductive current charge:  $\cos(\phi) = 0.65$

### Typical electrical schematic

Standard types and B types



## Filter Selection Table

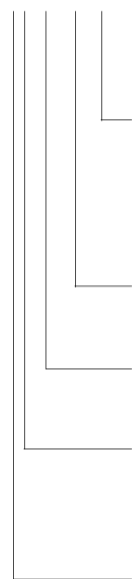
Filter	Rated current @ 40°C (25°C)	Leakage current* @ 250 VAC/50 Hz (@120 VAC/60Hz)	Inductance** L	Capacitance**		Resistance** R	Output connections	Weight
				Cx	Cy			
	[A]	[mA]	[mH]	[μF]	[nF]	[kΩ]		[g]
<b>FN 9264xx-1-06-y</b>	1 (1.2)	0.31 (0.18)	5.15	0.1	2.2	1000	-06	55
<b>FN 9264xx-2-06-y</b>	2 (2.3)	0.31 (0.18)	2.7	0.1	2.2	1000	-06	55
<b>FN 9264xx-3-06-y</b>	3 (3.6)	0.31 (0.18)	2		2.2	1000	-06	55
<b>FN 9264xx-4-06-y</b>	4 (4.6)	0.31 (0.18)	1	0.1	2.2	1000	-06	55
<b>FN 9264xx-6-06-y</b>	6 (6.9)	0.31 (0.18)	0.3	0.1	2.2	1000	-06	55
<b>FN 9264xx-10-06-y</b>	10 (11.5)	0.31 (0.18)	0.21	0.1	2.2	1000	-06	55

\* Leakage current under normal operating conditions (acc. to IEC60939-3). Note: if the neutral line is interrupted, worst case leakage could reach twice this level.

\*\* Tolerances apply: Inductance: -30/+50%, Capacitance: ±20%, Resistance: ±10%

### Product selector

FN 9264xx-yy-yy-y



Snap-in range for S version only

Blank: Snap-in panel thickness range 1.0 to 2.5 mm


30: Snap-in panel thickness range >2.5 to 3.5 mm


06: Faston 6.3 x 0.8mm (spade/soldering)

1 to 10: Rated current

Blank: Standard version

B: Medical version (without Y2-capacitor, leakage current max 2μA\*)

 Blank: Standard housing with mounting flanges

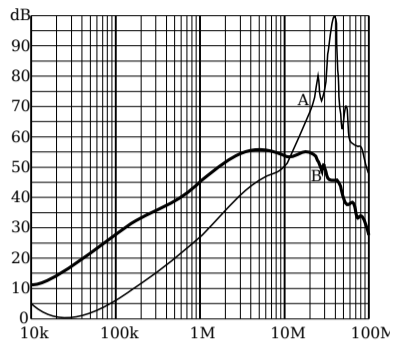
 S: Snap-in version, snapper on vertical side

For example: FN 9264-1-06, FN 9264 B-6-06, FN 9264 SB-4-06-30

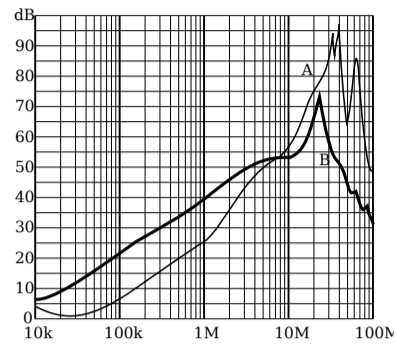
## Typical Filter Attenuation

Per CISPR 17; A=50 Ω/50 Ω sym; B=50 Ω/50 Ω asym

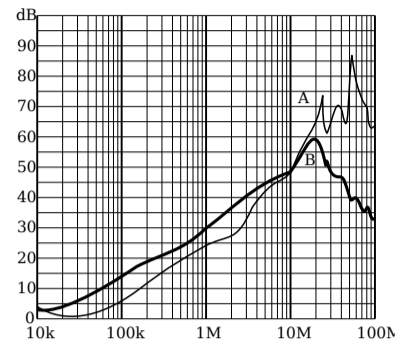
1 A Standard types



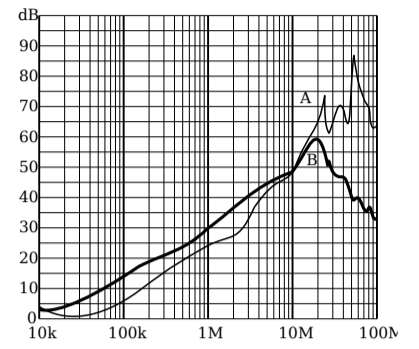
2 A Standard types



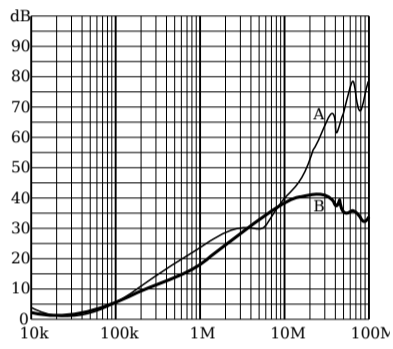
3 A Standard types



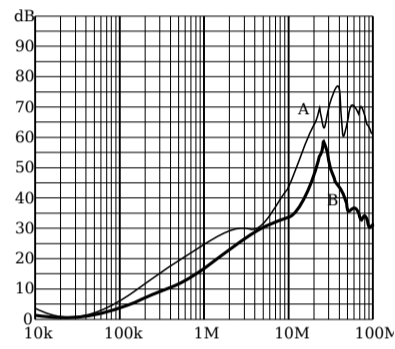
4 A types



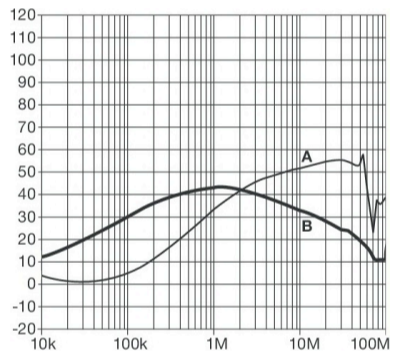
6 A Standard types



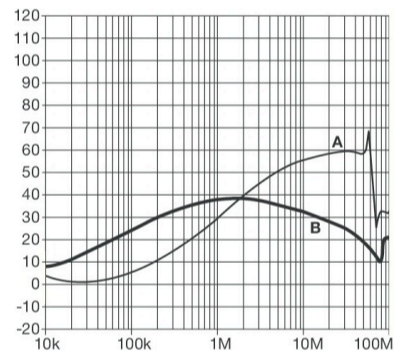
10 A Standard types



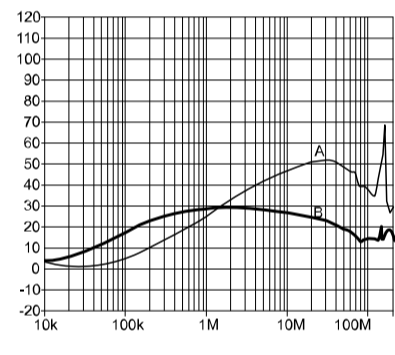
1 A B-types



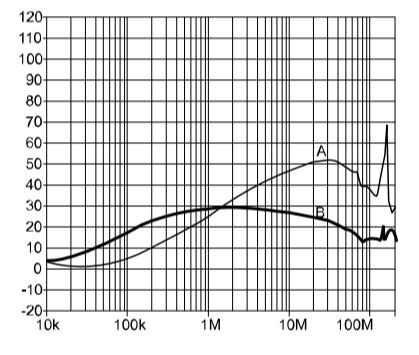
10 A Standard types



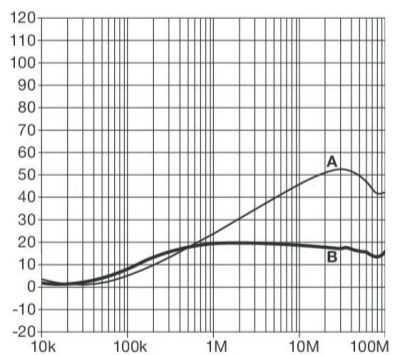
3 A B-types



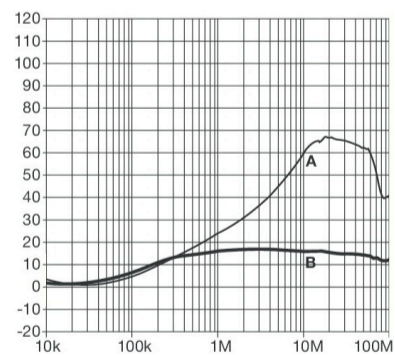
4 B types



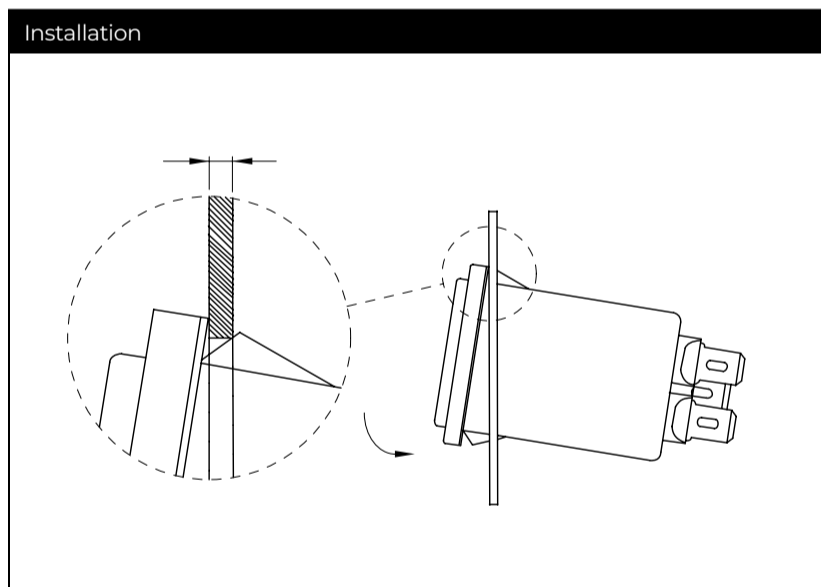
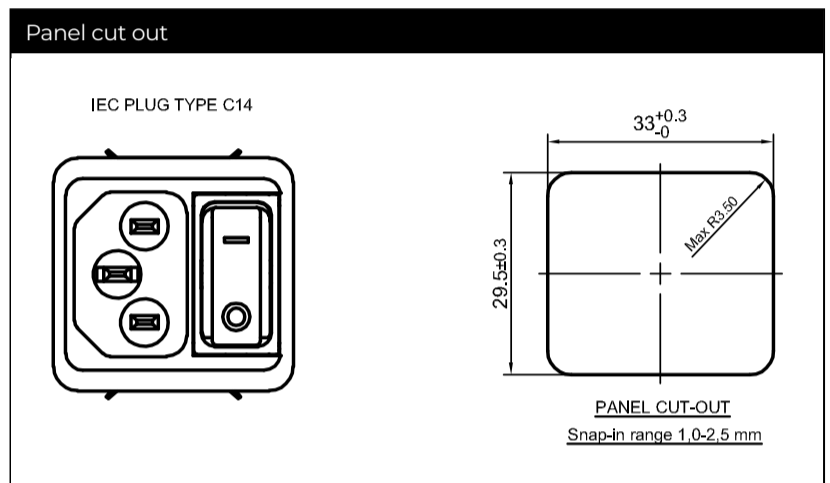
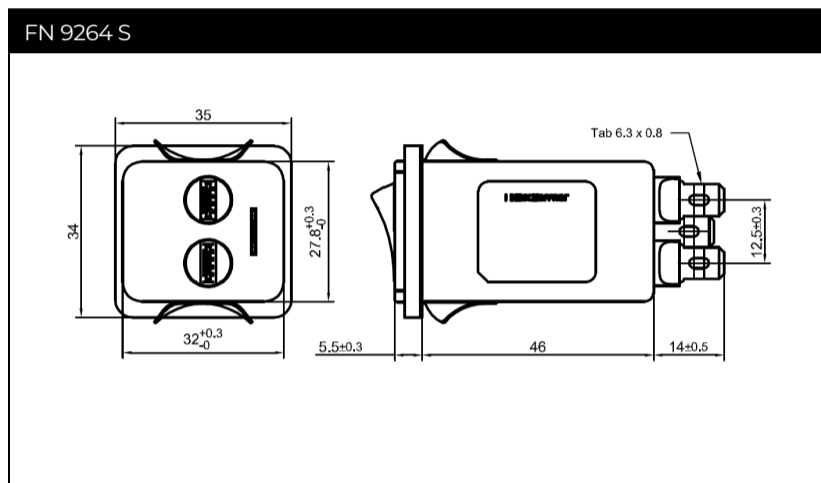
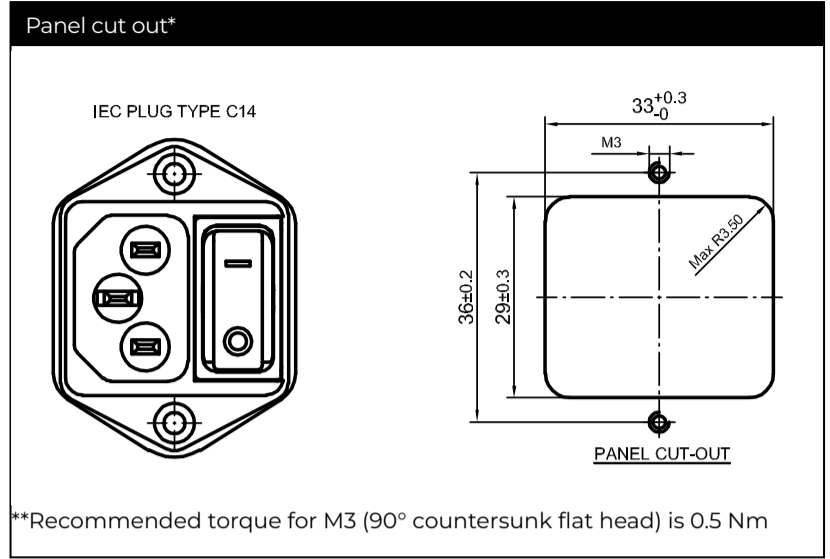
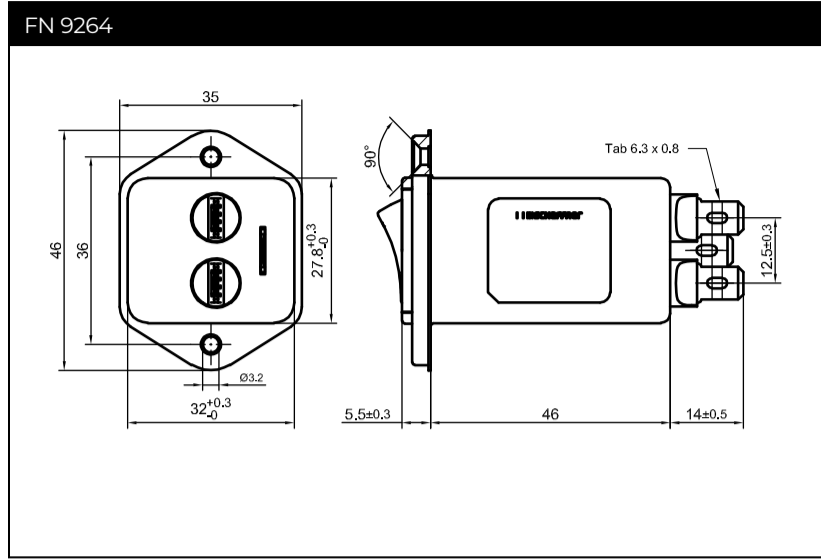
6 A B-types



10 A B-types



### Mechanical Data



## Accessories

### IL 13P IEC C13 Rewireable Connectors with Locking System



The locking system has a tensile force of typical 300N. It is recommended to use it with flange mount filters. For details refer to our Application Note "Using IEC Lock Power Cords with IEC Inlets and Filters".

Schaffner power connector with IEC lock guard against accidental disconnection of all electrical appliances with an IEC inlet. No exchange or modification of the IEC inlet or IEC inlet filter system is needed. Easy retrofit .for all electronic equipments and devices

[Technical Data Sheet >](#)

### IL 13P IEC C13 Rewireable Angled Connectors with Locking System



- Protects appliances that are vulnerable to vibration
- Connector cannot be accidentally pulled or vibrated out of the inlet
- Space availability/constraints
- Different angles for ease of access
- Space saving
- Release locking mechanism
- Prevents accidental disconnection

[Technical Data Sheet >](#)

### Power Cord with angled Locking System C13



- Protects appliances that are vulnerable to vibration
- Connector cannot be accidentally pulled or vibrated out of the inlet
- Space availability/constraints
- Different angles for ease of access
- Space saving
- Release locking mechanism
- Prevents accidental disconnection

[Technical Data Sheet >](#)