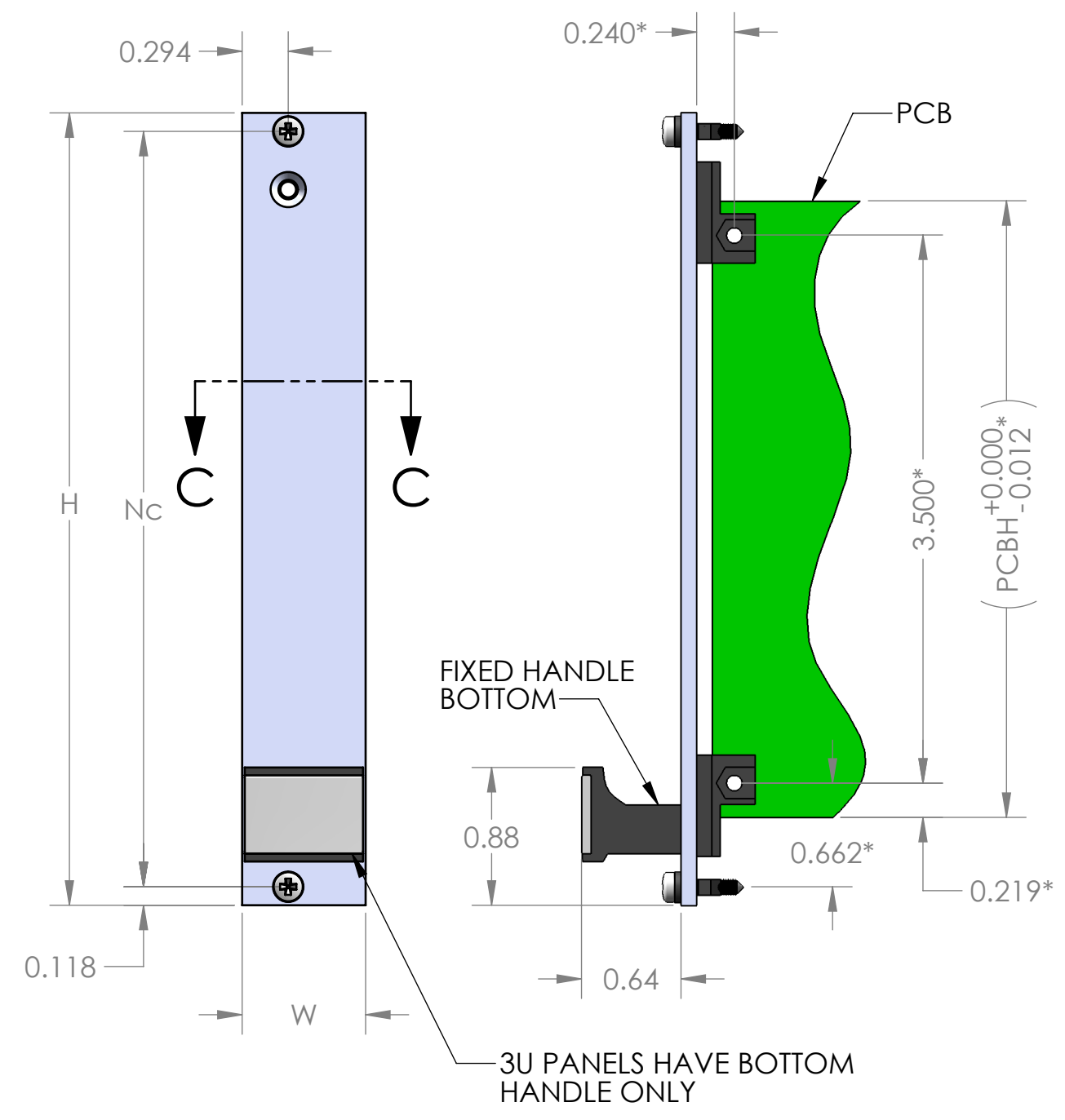


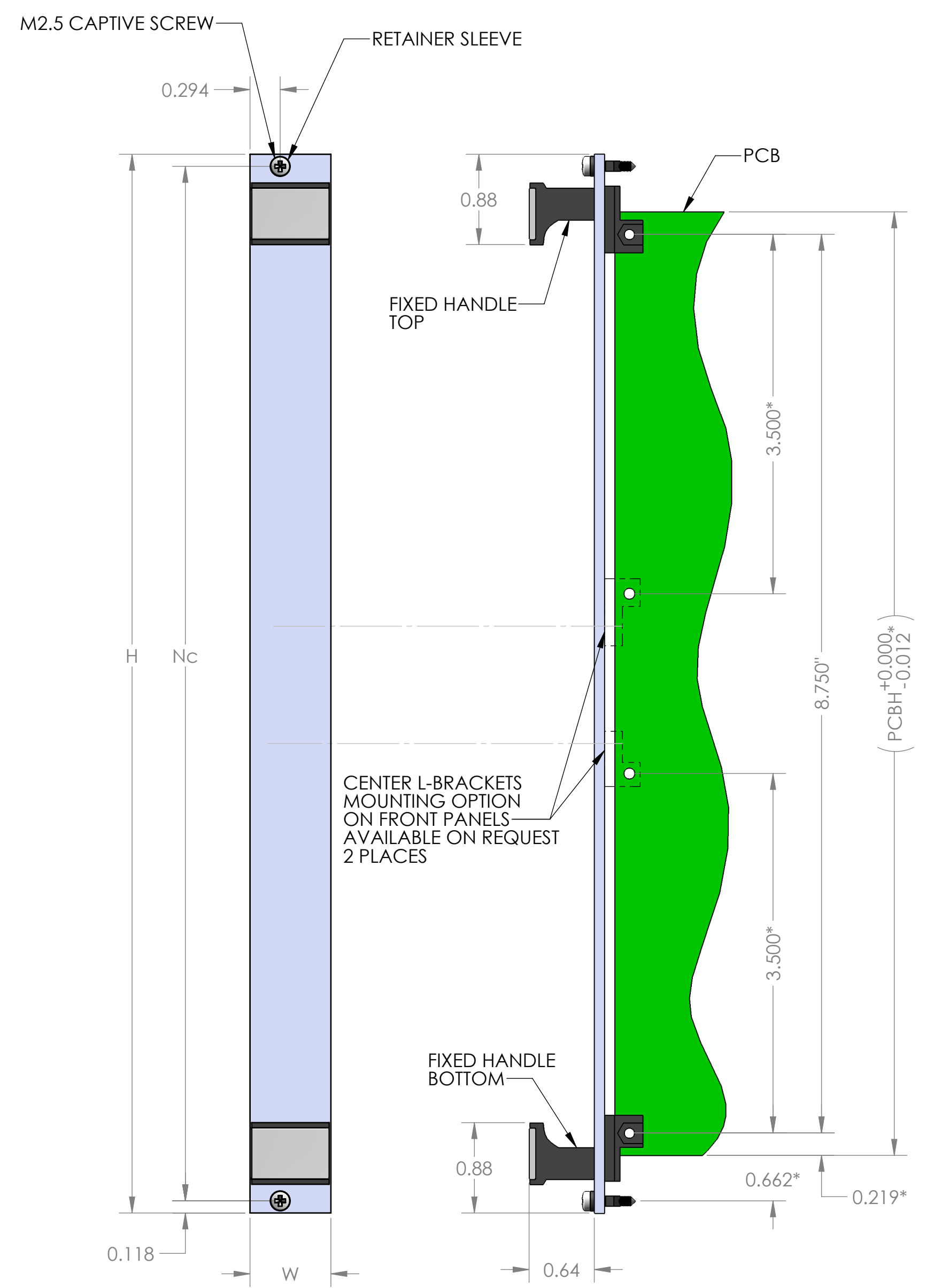
REVISIONS				
ZONE	REV	DESCRIPTION	DATE	APPROVED
ALL	A	INITIAL RELEASE	02/14/12	

PART NO TABULATION

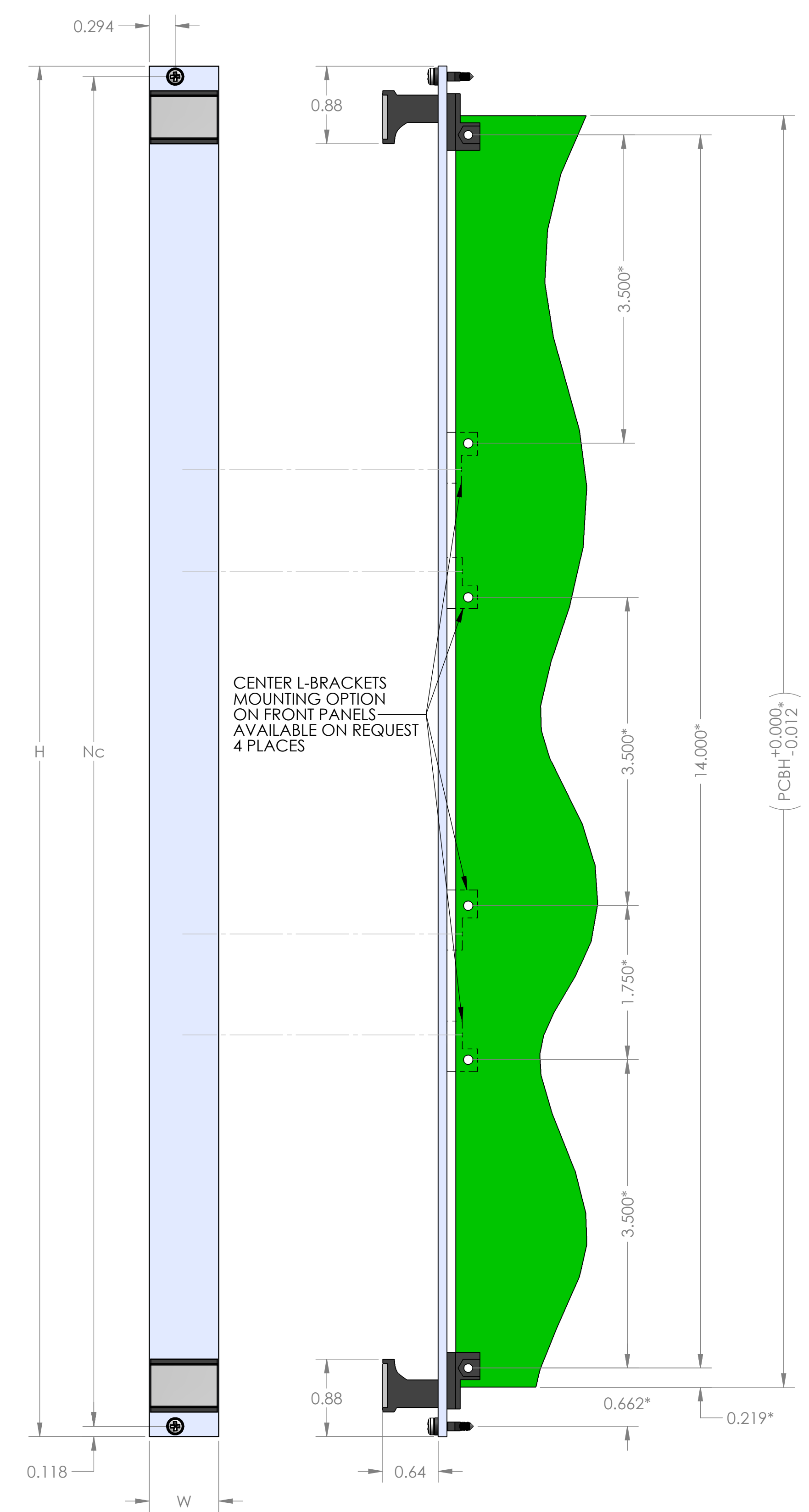
PART NO	DESCRIPTION	H	W	Nc	PCBH
FP04-3U	3U X 4HP	5.059	0.788	4.823	3.937
FP08-3U	3U X 8HP		1.588		
FP12-3U	3U X 12HP		2.388		
FP04-6U	6U X 4HP	10.309	0.788	10.073	9.187
FP08-6U	6U X 8HP		1.588		
FP12-6U	6U X 12HP		2.388		
FP04-9U	9U X 4HP	15.559	0.788	15.323	14.437
FP08-9U	9U X 8HP		1.588		
FP12-9U	9U X 12HP		2.388		



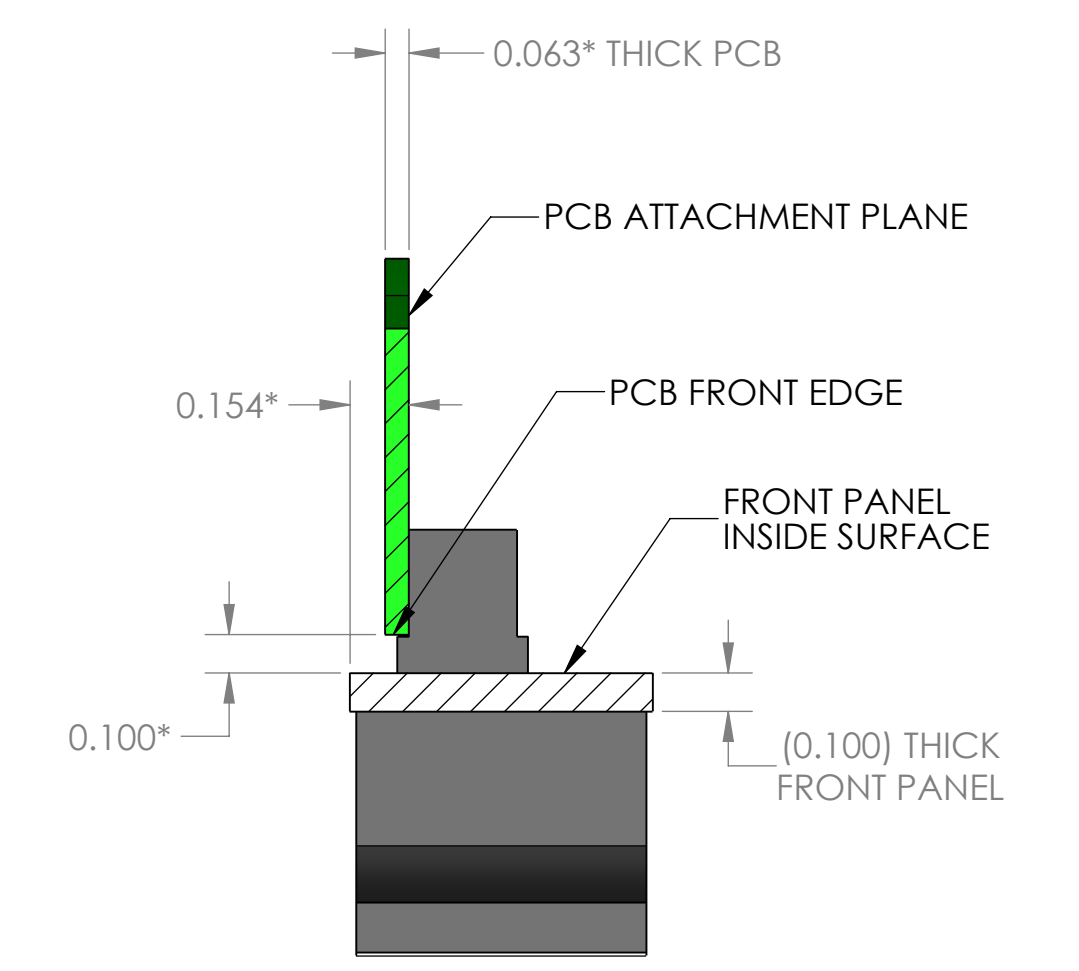
**3U HIGH PANEL**



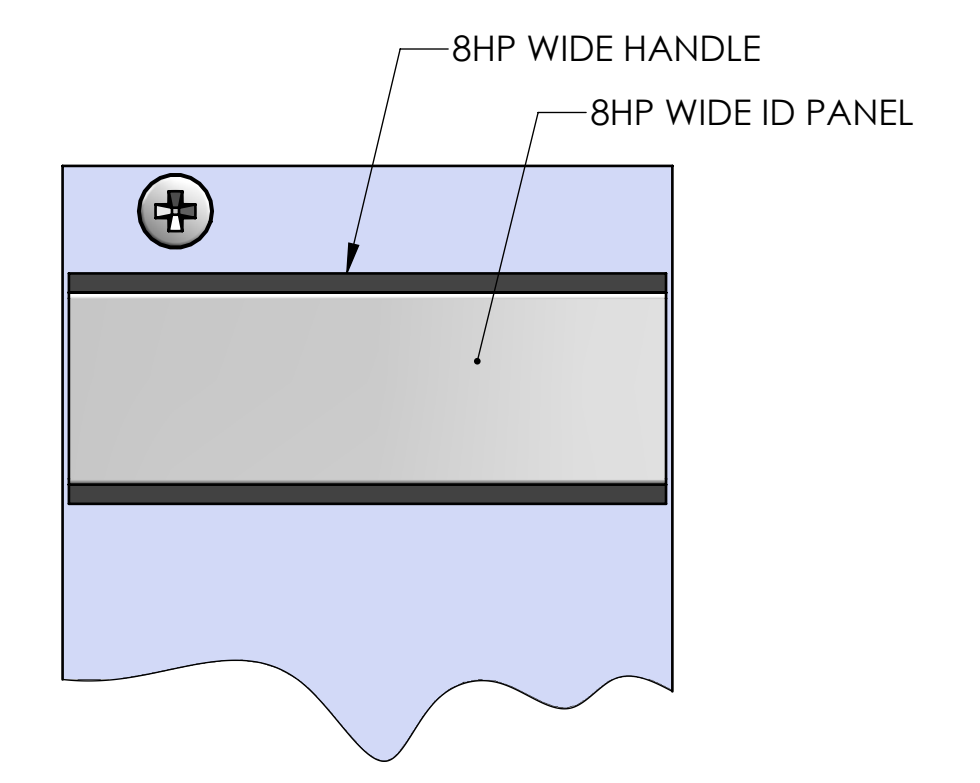
**6U HIGH PANEL**



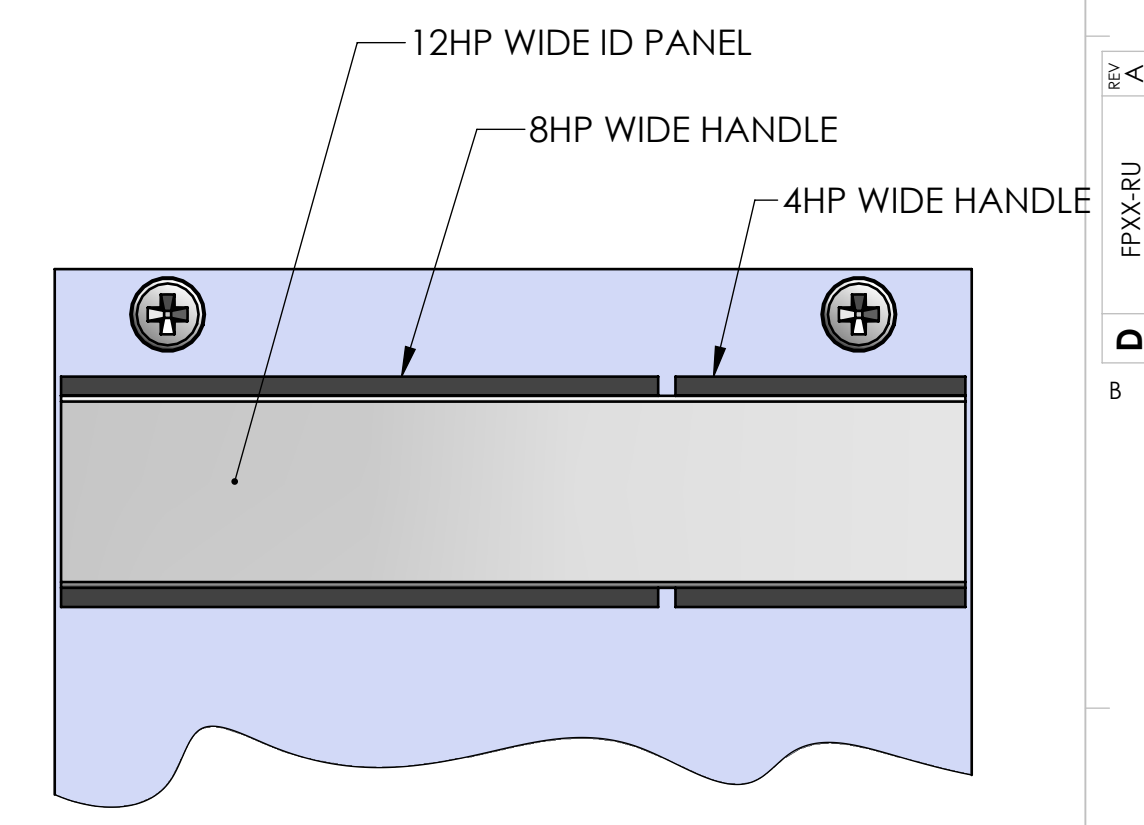
**9U HIGH PANEL**



**SECTION C-C  
 SCALE 2 : 1  
 FOR 3U, 6U, AND 9U HIGH,  
 4HP, 8HP, AND 12HP PANELS**



**8HP WIDE PANEL DETAIL**



**12HP WIDE PANEL DETAIL**

- 5. FURNISHED UNASSEMBLED
  - 4. EACH FRONT PANEL KIT INCLUDES FRONT PANEL, FIXED HANDLES AND PCB ATTACHMENT HARDWARE
  - 3. \* INDICATES DIMENSIONS PER IEEE 1101.1
  - 2. PCB SHOWN FOR REFERENCE ONLY. NOT PART OF FRONT PANEL KIT
  - 1. FRONT PANELS ARE SHOWN ASSEMBLED WITH TYPE II EJECTOR HANDLES
- NOTES: UNLESS OTHERWISE SPECIFIED

UNLESS OTHERWISE SPECIFIED: DIMENSIONS ARE IN INCHES TOLERANCES: DEC. X.X ±0.1 DEC. X.XX ±0.03 DEC. X.XXX ±0.010 FRACTIONS ±0.000 ANGLES ±1°		NAME: TRUSHAR	DATE: 02/14/12	 81115 VANOWEN ST., NORTH HOLLYWOOD, CA 91605 www.vectorred.com
DRAWN:	CHECKED:	ENG APPR.:	MFG APPR.:	
MATERIAL:	THIRD ANGLE PROJECTION:	Q.A.:	COMMENTS:	FRONT PANEL, 1101.1 FIXED HANDLE, TYPE V, NON EMC SIZE: <b>D</b> DWG. NO.: <b>FPXX-RU</b> REV: <b>A</b> SCALE: 1:1 CAGE CODE: 82893 SHEET 1 OF 1