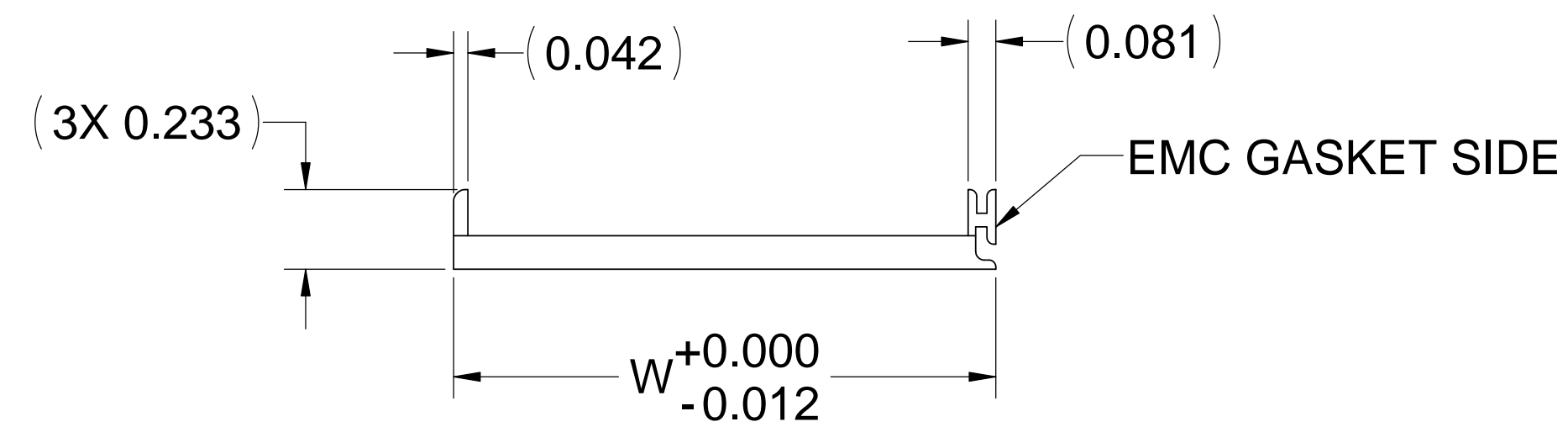
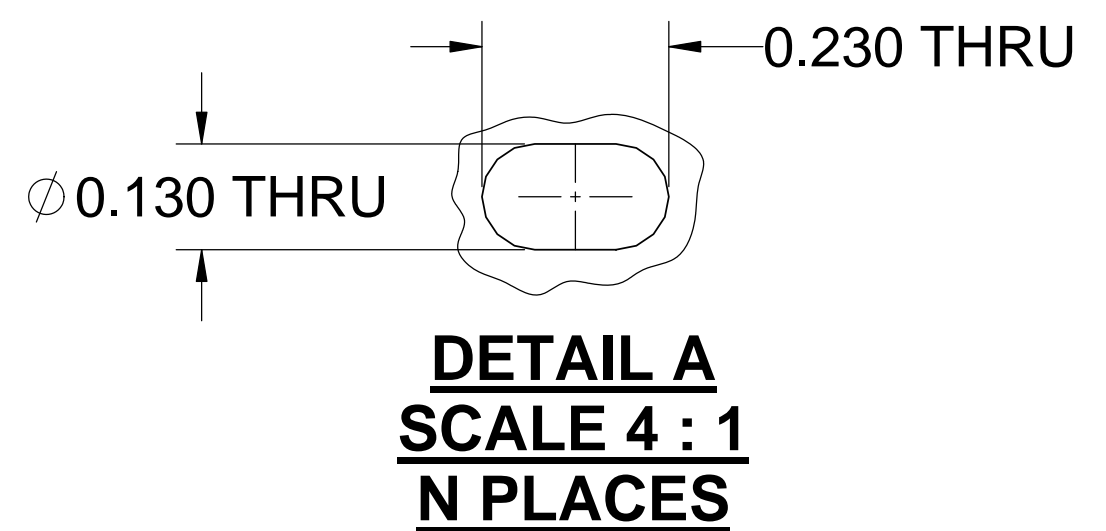


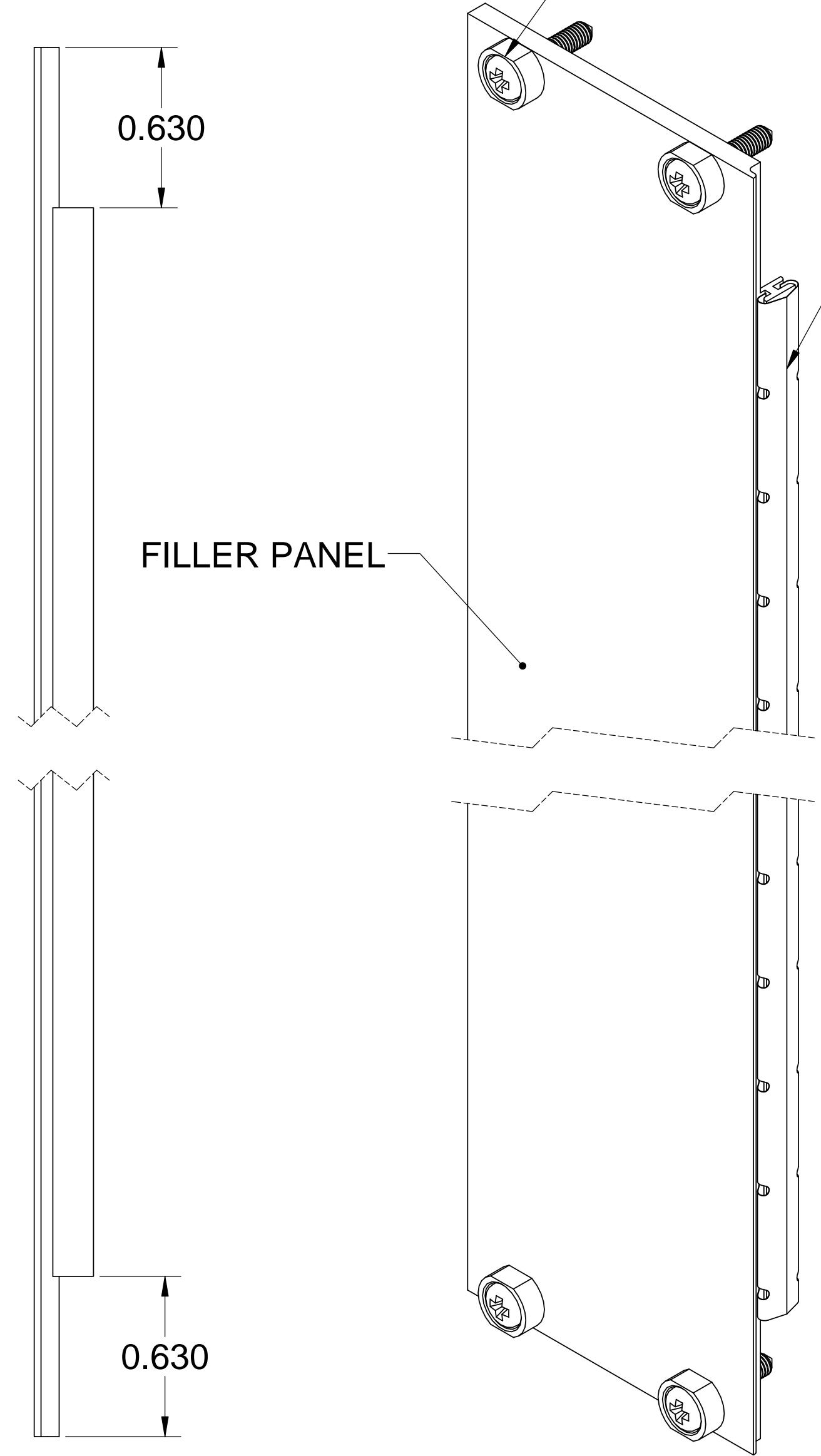
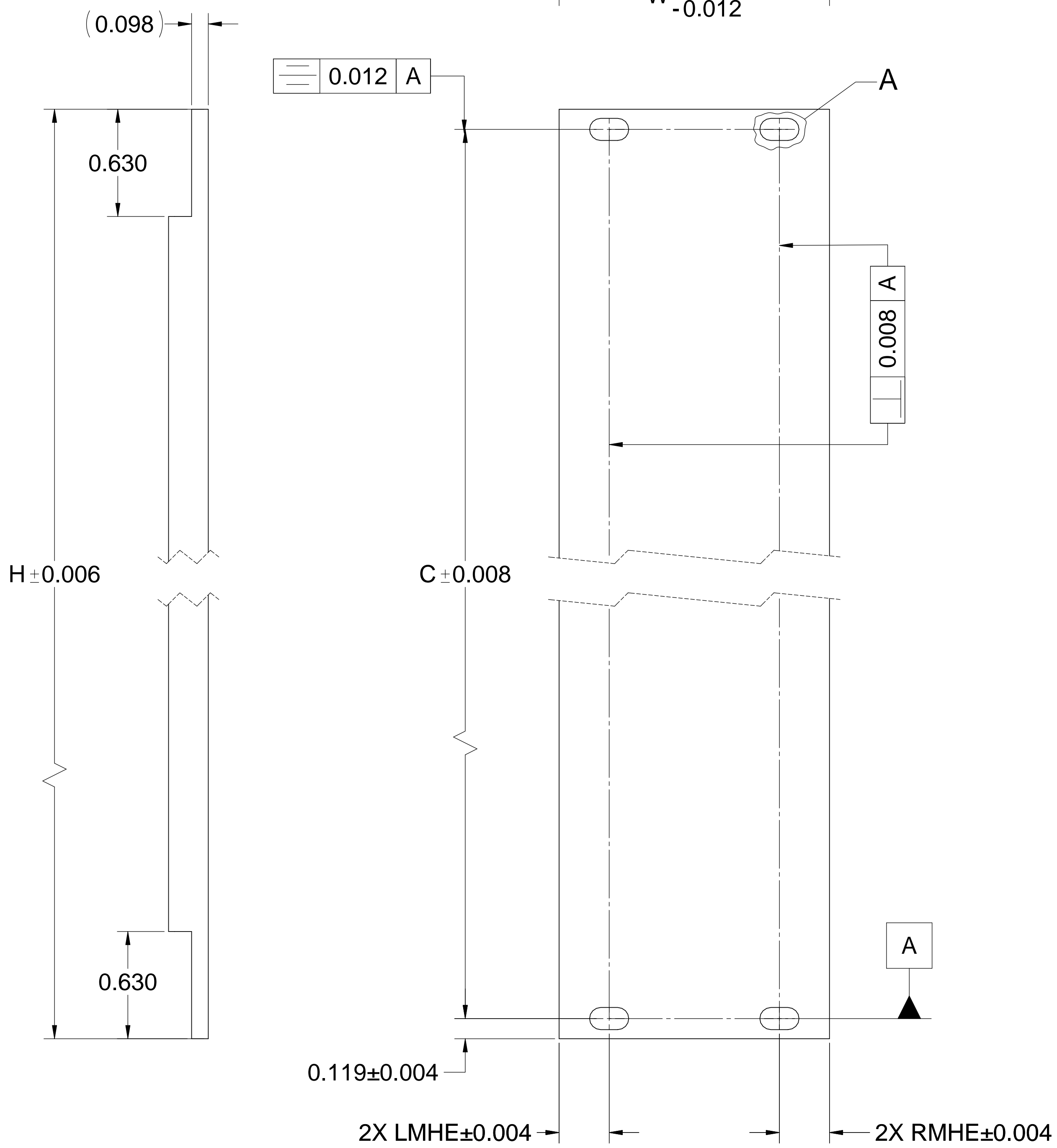
PROPRIETARY AND CONFIDENTIAL
 THE INFORMATION CONTAINED IN THIS DRAWING IS THE SOLE PROPERTY OF VECTOR
 ELECTRONICS & TECH., INC. ANY REPRODUCTION IN PART OR AS A WHOLE WITHOUT
 THE WRITTEN PERMISSION OF VECTOR ELECTRONICS & TECH., INC. IS PROHIBITED.

REVISIONS				
ZONE	REV	DESCRIPTION	DATE	APPROVED
ALL	A	REDRAWN	05/04/12	
	B	ADDED FP52A5HP, FP10A5HP, AND FP15A5HP	02/23/15	
	C	PART NO TABULATION MOUNTING HOLE DIMENSIONS ARE SEPARATED USING "LMHE" AND "RMHE"	07/19/16	



RETAINER SLEEVE, POLYMAIDE, BLACK, P/N 94300008
 M2.5 X 0.45 X 11mm CAPTIVE SCREW, STEEL, P/N 95000002B
 (N PLACES)

PART NO	DESCRIPTION	HEIGHT "H"	WIDTH "W"	CENTER "C"	LEFT MOUNTING HOLE "LMHE"	RIGHT MOUNTING HOLE "RMHE"	PLACES "N"
FP52A4HP	3U X 4HP	5.060	0.788	4.823	0.294	-	2
FP52A5HP	3U X 5HP	5.060	0.988	4.823	0.445	-	2
FP52A8HP	3U X 8HP	5.060	1.588	4.823	0.294	0.294	4
FP52A12HP	3U X 12HP	5.060	2.388	4.823	0.294	0.294	4
FP10A4HP	6U X 4HP	10.310	0.788	10.073	0.294	-	2
FP10A5HP	6U X 5HP	10.310	0.988	10.073	0.445	-	2
FP10A8HP	6U X 8HP	10.310	1.588	10.073	0.294	0.294	4
FP10A12HP	6U X 12HP	10.310	2.388	10.073	0.294	0.294	4
FP15A4HP	9U X 4HP	15.560	0.788	15.323	0.294	-	2
FP15A5HP	9U X 5HP	15.560	0.988	15.323	0.445	-	2
FP15A8HP	9U X 8HP	15.560	1.588	15.323	0.294	0.294	4
FP15A12HP	9U X 12HP	15.560	2.388	15.323	0.294	0.294	4



SHOWN FILLER PANEL ASSEMBLY

FILLER PANEL DETAIL

- 5. FURNISHED UNASSEMBLED
- 4. FINISH: CLEAR CHEM FILM, IAW MIL-C-5541, CLASS 3
- 3. LIGHT GRAIN FRONT SURFACE IN DIRECTION OF MATERIAL GRAIN (AS SHOWN) USING 180 GRIT
- 2. MATERIAL: ALUMINUM EXTRUSION, 6063-T5 MAKE FROM P/N # M4211-XX
- 1. REMOVE ALL BURRS, SHARP EDGES & SURFACE SCRATCHES

NOTES : UNLESS OTHERWISE SPECIFIED

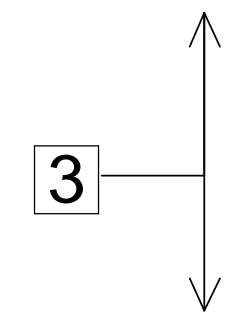
UNLESS OTHERWISE SPECIFIED DIMENSIONS ARE IN INCHES TOLERANCES: DEC X.X ±0.1 DEC X.XX ±0.03 DEC X.XXX ±0.010 FRACTIONS ±0.050 ANGLES ±1° GD & T : ASME Y14.5-2009		APPROVALS	NAME	DATE
MATERIAL	2	DRAWN	TRUSHAR	05/04/12
FINISH	4	CHECKED		
		ENGINEER		
		QA		

THIRD ANGLE PROJECTION

VECTOR ELECTRONICS & TECHNOLOGY, INC. 11115 VANOWEN ST., NORTH HOLLYWOOD, CA 91605 www.vectorelect.com

3U, 6U, 9U EMC FILLER PANEL

SIZE	DWG. NO.	REV
D	FPXXAXHP	C
SCALE: 2:1	CAGE CODE: 82893	SHEET 1 OF 1



5