

LISA2-M-PIN

~20° medium beam optimized for 3535 size LED packages. 6.6 mm high variant with location pin installation.

SPECIFICATION:

Dimensions	Ø 9.9 mm
Height	6.7 mm
Fastening	glue, pin
ROHS compliant	yes ⓘ

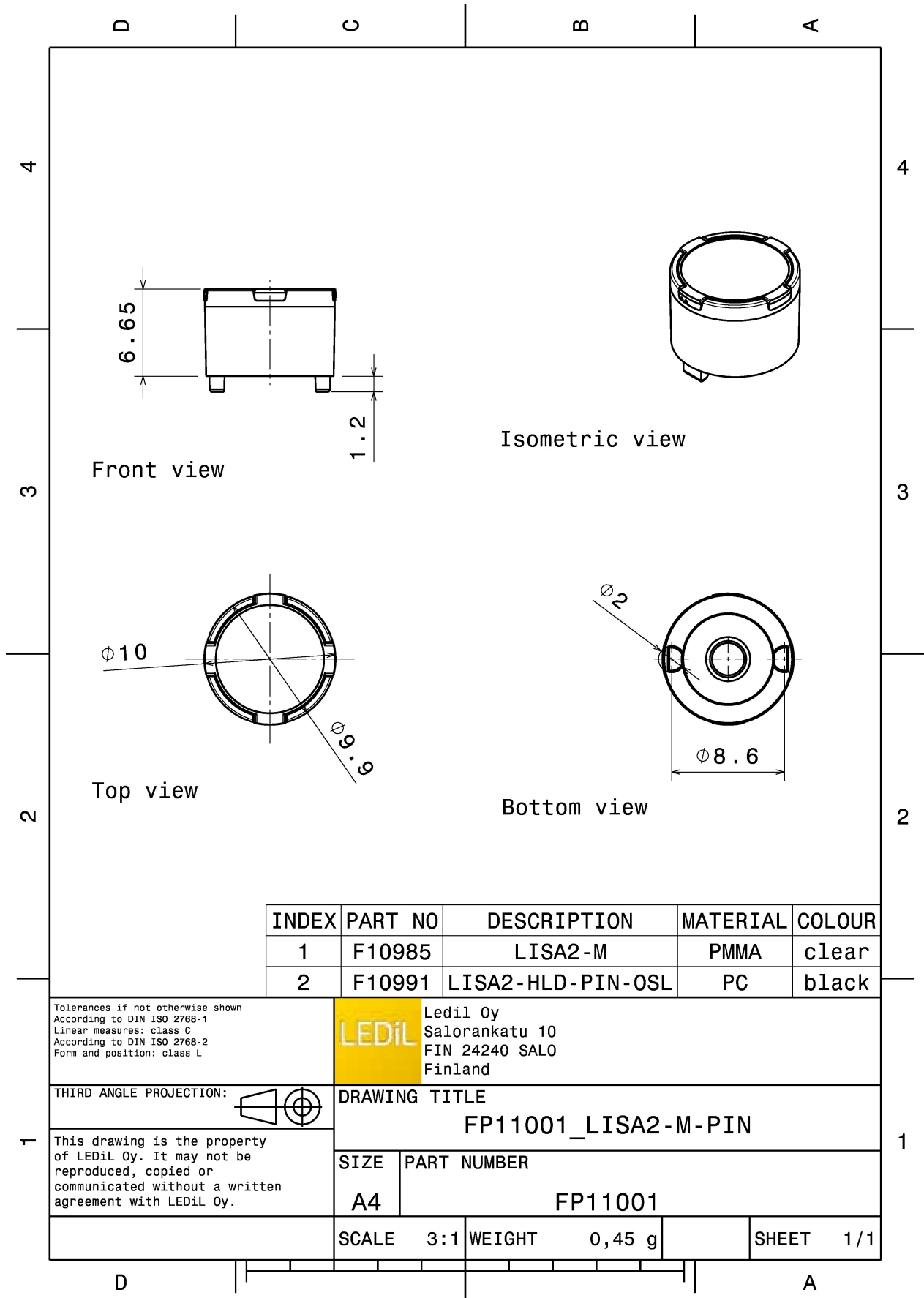


MATERIALS:

Component	Type	Material	Colour	Finish
LISA2-M	Single lens	PMMA	clear	
LISA2-HLD-PIN-OSL	Holder	PC	black	

ORDERING INFORMATION:

Component	Type	Qty in box	MOQ	MPQ	Box weight (kg)
FP11001_LISA2-M-PIN » Box size: 310 x 230 x 60 mm	Single lens	2000	300	100	1.4

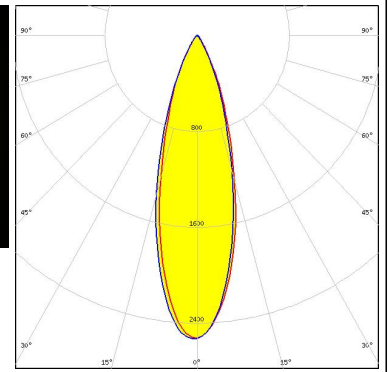


See also our general installation guide: www.ledil.com/installation_guide


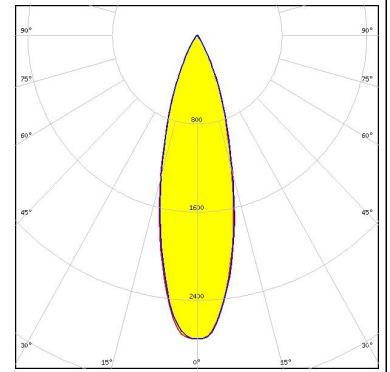

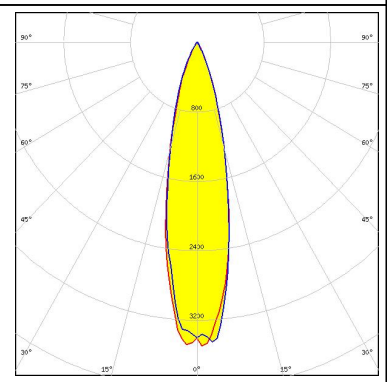
OPTICAL RESULTS (MEASURED):

OSRAM
Opto Semiconductors

LED	OSLON Square EC
FWHM / FWTM	31.0° / 60.0°
Efficiency	89 %
Peak intensity	2.8 cd/lm
LEDs/each optic	1
Light colour	White
Required components:	



OPTICAL RESULTS (SIMULATED):

	LED CSP 2323 (BXCP)	
	FWHM / FWTM 29.0° / 56.0°	
	Efficiency 87 %	
	Peak intensity 2.8 cd/lm	
	LEDs/each optic 1	
	Light colour White	
	Required components:	
	LED Synios P2720 1 mm	
	FWHM / FWTM 21.0° / 43.0°	
	Efficiency 94 %	
	Peak intensity 3.8 cd/lm	
	LEDs/each optic 1	
	Light colour White	
	Required components:	